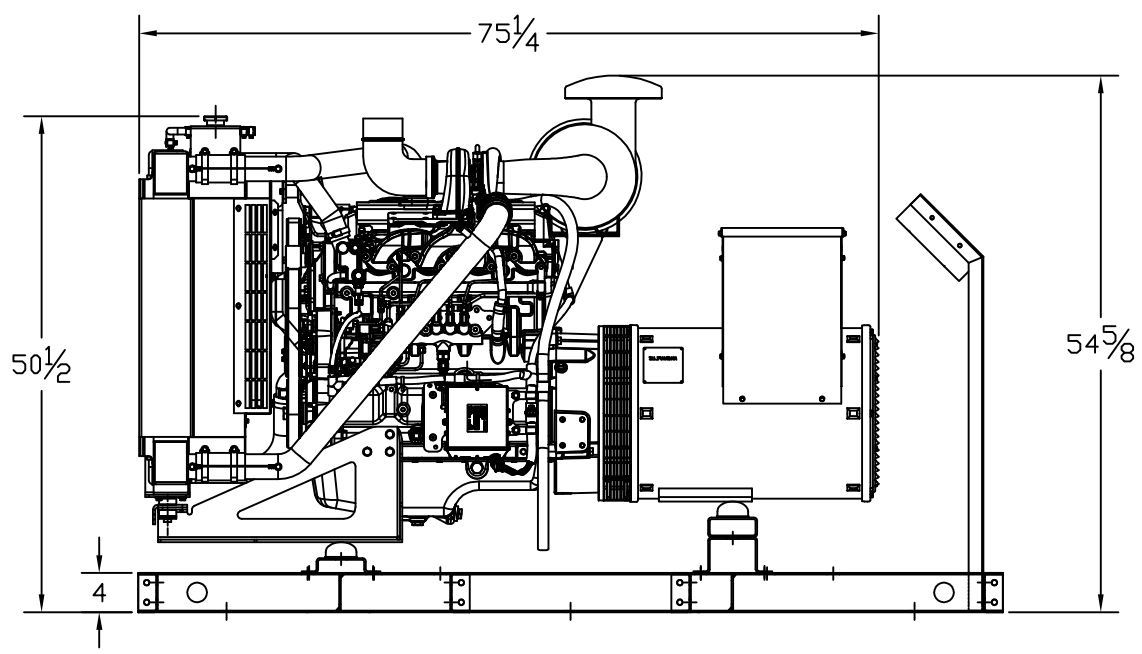
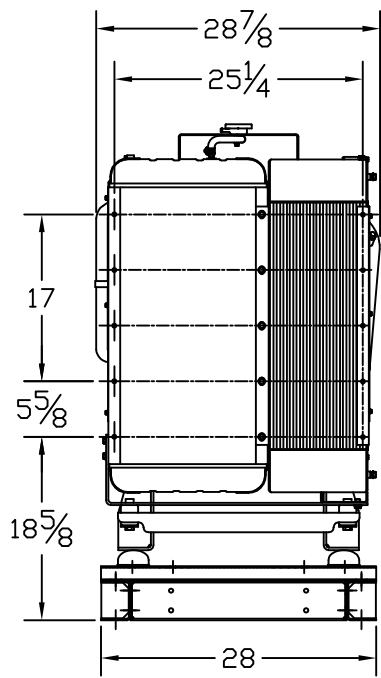
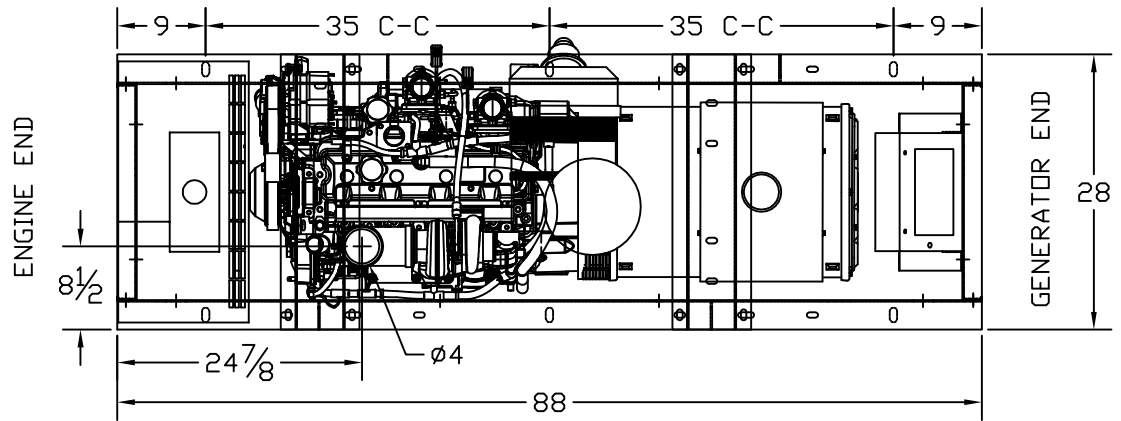


THE INFORMATION HEREIN, IS THE SOLE PROPERTY OF GILLETTE GENERATORS, INC. & IS TO BE HELD IN STRICT CONFIDENTIALITY BY ALL WHO RECEIVES THIS INFORMATION. TRANSMITTAL TO OTHERS, OR USE BY OTHERS, IS STRICTLY PROHIBITED.

TOLERANCES

DECIMALS	FRACTIONS	ANGLES
± .031	± 1/32	± 1/2°
UNLESS OTHERWISE SPECIFIED		

REMOVE ALL BURRS & BREAK ALL SHARP EDGES
ALL ANGLES @ 90°, UNLESS OTHERWISE SPECIFIED
TIGHT CLOSED CORNERS, WITH NO GAPS



REVISION LEVEL	DATE	DESCRIPTION



GILLETTE GENERATORS, INC. 1340 WADE DR., ELKHART, IN 46514 (574) 264-9639

DESCRIPTION: DIMENSIONAL OVERVIEW FOR PJD-850 OPEN GEN-SET

DATE: 11-30-2011 PT. NO: PJD-1050 SCALE: 1:20 CAD_NO.: 20111130.12:00:00

DR. BY: ATM ENG. RH PG. NO. 1 OF 1 DRAWING NO.: DO-PJD-1050

REV
0