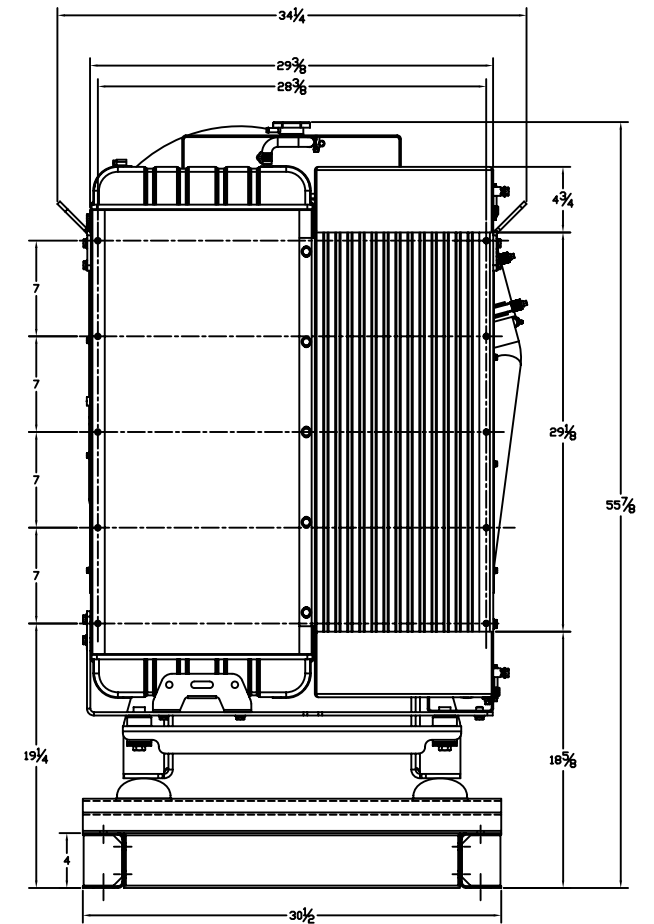
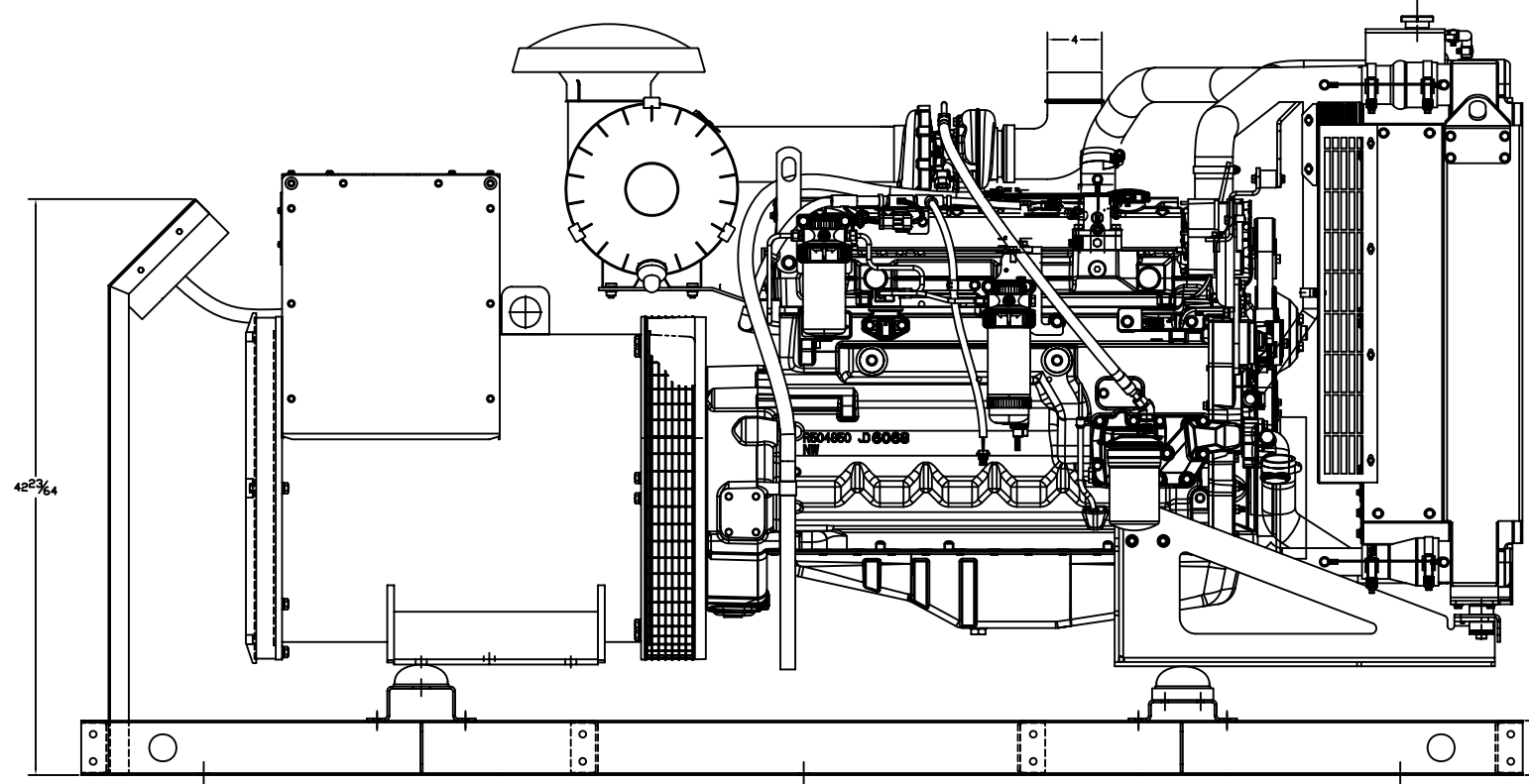
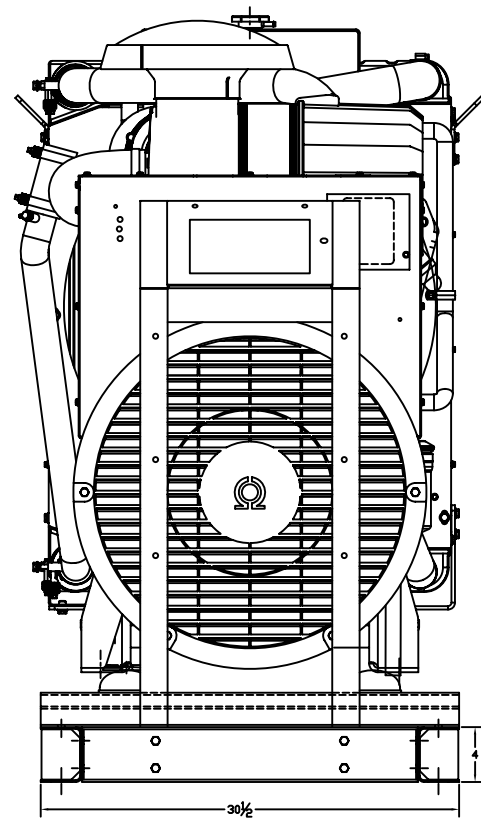
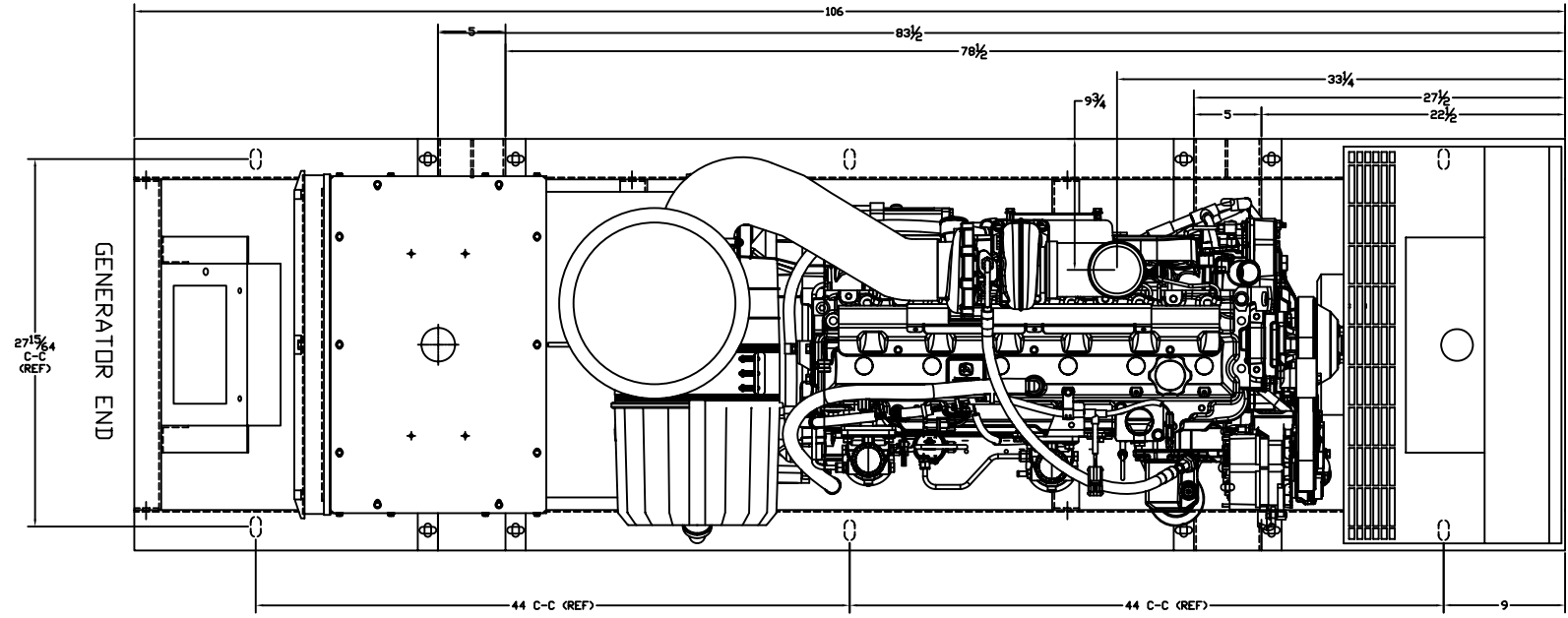


THE INFORMATION HEREIN, IS THE SOLE PROPERTY OF GILLETTE GENERATORS, INC. & IS TO BE HELD IN STRICT CONFIDENTIALITY BY ALL WHO RECEIVES THIS INFORMATION. TRANSMITTAL TO OTHERS, OR USE BY OTHERS, IS STRICTLY PROHIBITED.

TOLERANCES

DECIMALS	FRACTIONS	ANGLES
±.031	± 1/32	± 1/2°
UNLESS OTHERWISE SPECIFIED		
REMOVE ALL BURRS & BREAK ALL SHARP EDGES		
ALL ANGLES @ 90°, UNLESS OTHERWISE SPECIFIED		
TIGHT CLOSED CORNERS, WITH NO GAPS		



PJD-1550

REVISION LEVEL	DATE	DESCRIPTION	GILLETTE GENERATORS, INC. 1340 WADE DR., ELKHART, IN 46514 (574) 264-9639		
			DESCRIPTION: 106P" LG WELDED FRAME ASSEMBLY WITH 4" HIGH SIDE RAILS FOR PJD, POULTRY SERIES 155 KW GEN-SETS		
			DATE: 11-18-2011	PT. NO: PJD-1550	SCALE: 1:14
			DR. BY: ATM	ENG. RH	PG. NO. 1 OF 1
					CAD_NO.: 20111118.12:00:00
					DRAWING NO.: PJD-1550
					REV 1