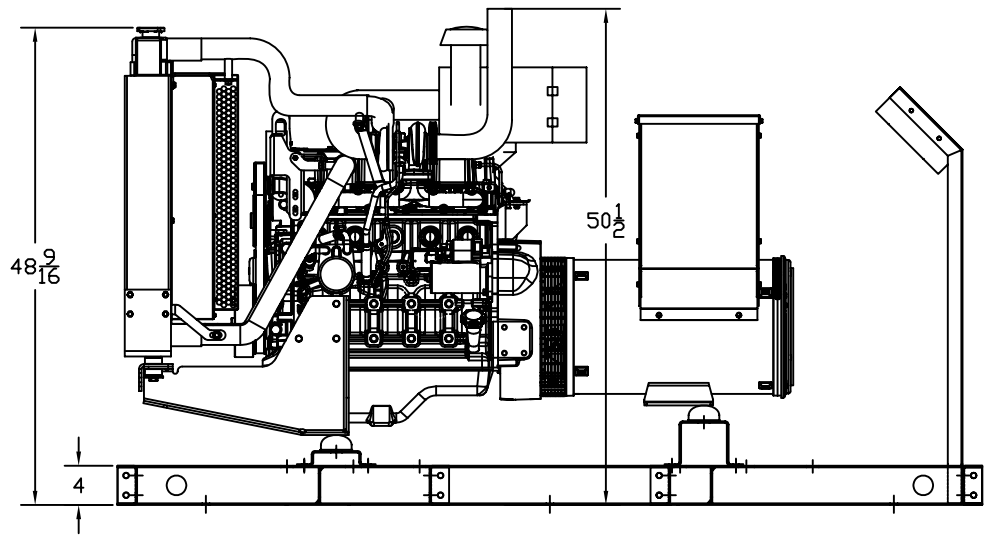
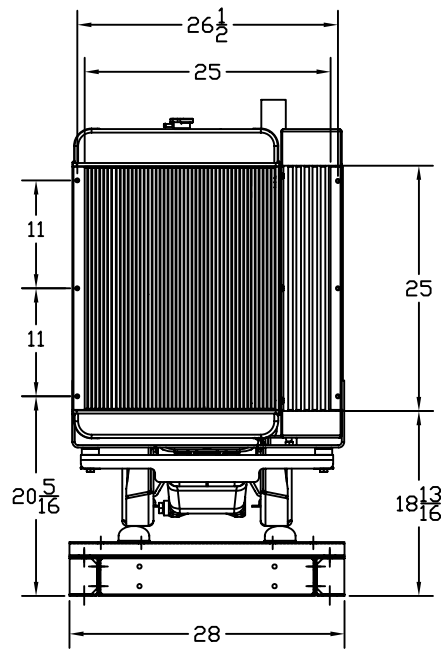
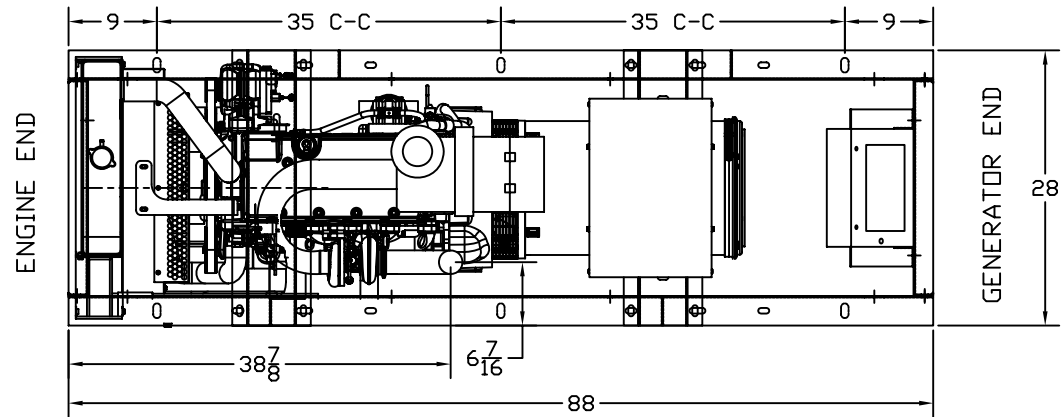


TOLERANCES	
DECIMALS	ANGLES
± .031	± 1/2°
UNLESS OTHERWISE SPECIFIED	
REMOVE ALL BURRS & BREAK ALL SHARP EDGES	



REVISION LEVEL	DATE	DESCRIPTION



GILLETTE GENERATORS, INC. 1340 WADE DR., ELKHART, IN 46514 (574) 264-9639			
DESCRIPTION: DIMENSIONAL OVERVIEW FOR PJD-640 OPEN GEN-SET			REV 0
DATE: 11-18-2011	PT. NO: PJD-640	SCALE: 1:20	CAD_NO.: 20111118.12:00:00
DR. BY: ATM	ENG. RH	PG. NO. 1 OF 1	DRAWING NO.: DO-PJD-640