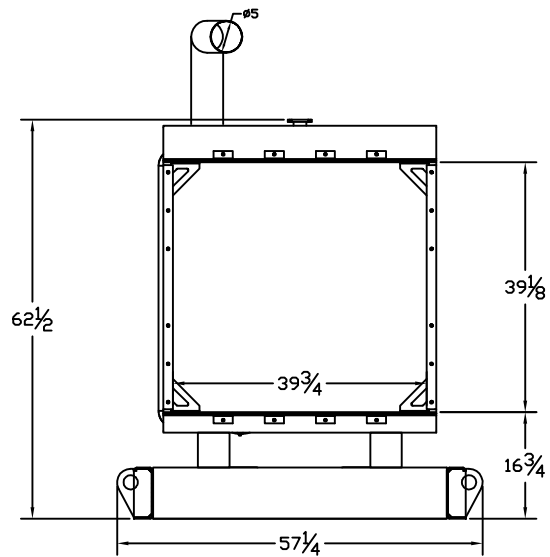
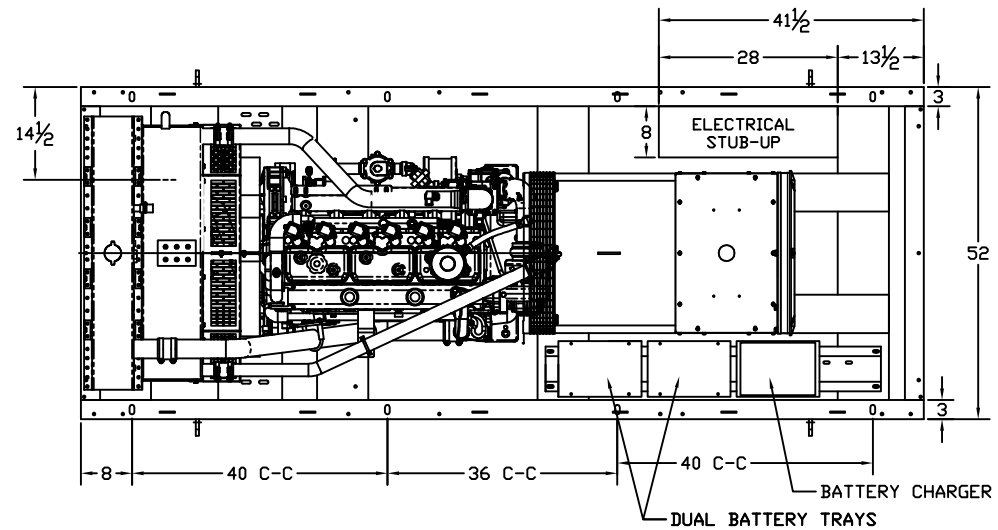
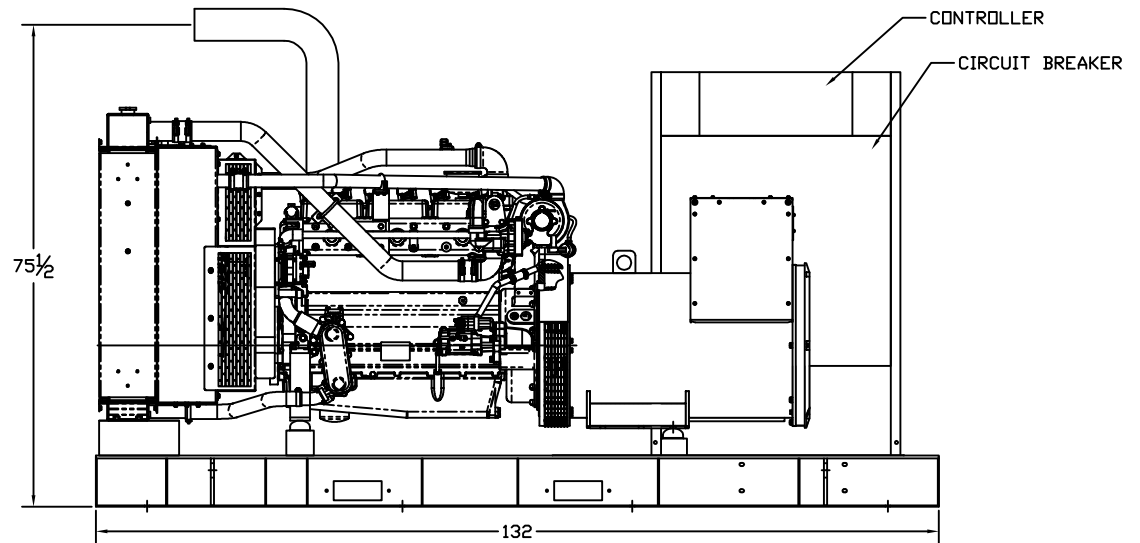


OUTLINE DIMENSIONS FOR PR-1000 OPEN

TOP VIEW



RADIATOR END VIEW



RIGHT SIDE VIEW