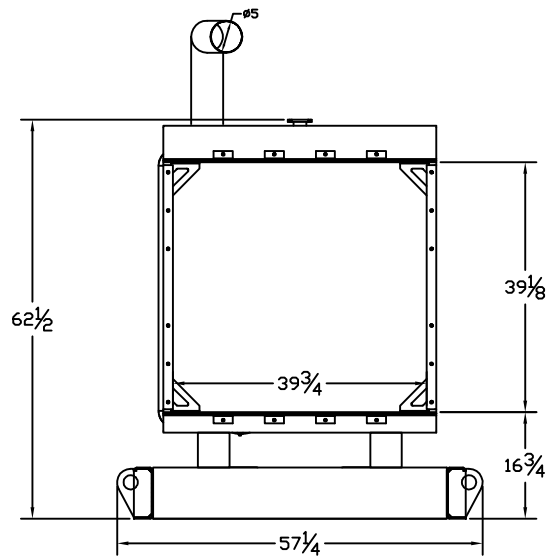
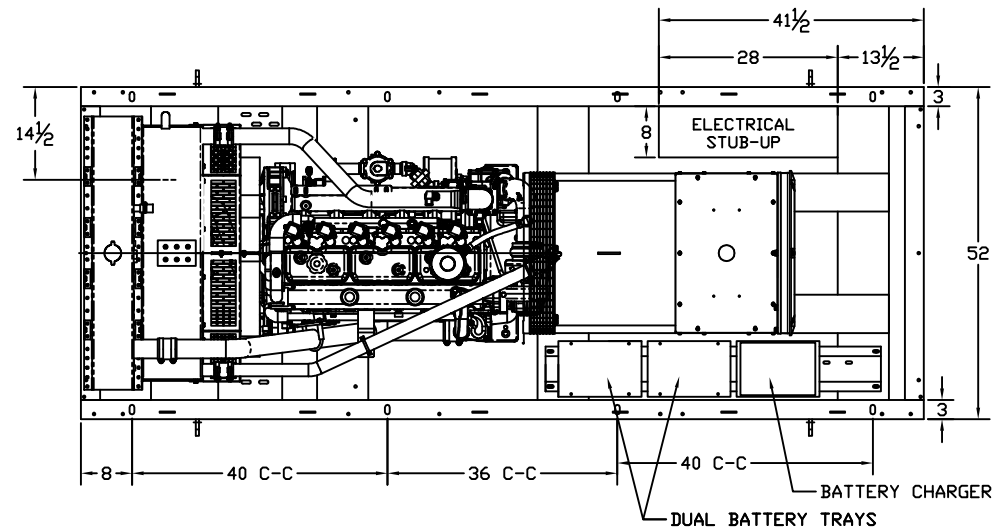
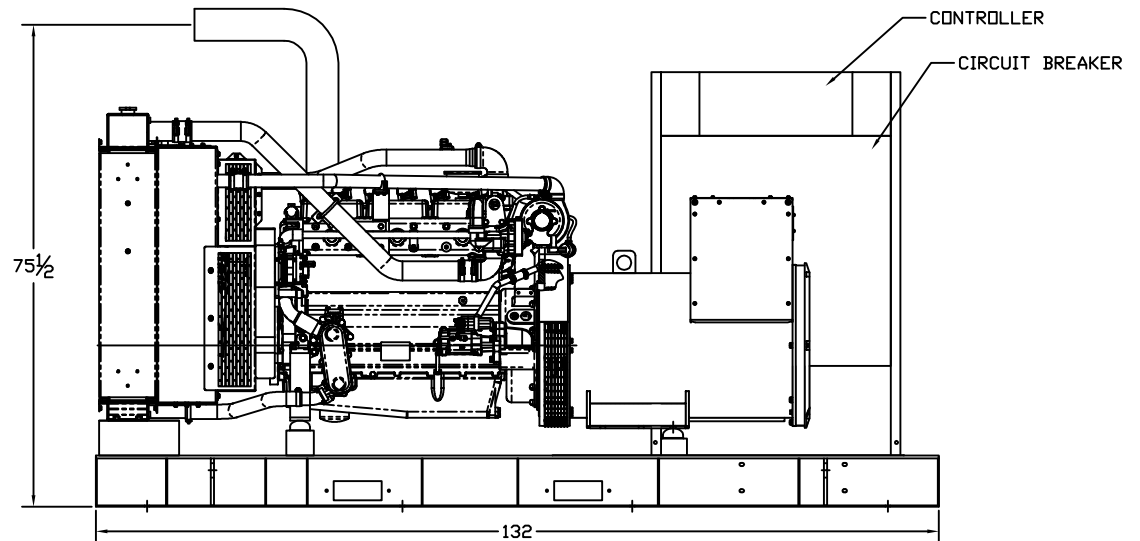


# OUTLINE DIMENSIONS FOR PR-1300 OPEN

## TOP VIEW



### RADIATOR END VIEW



### RIGHT SIDE VIEW