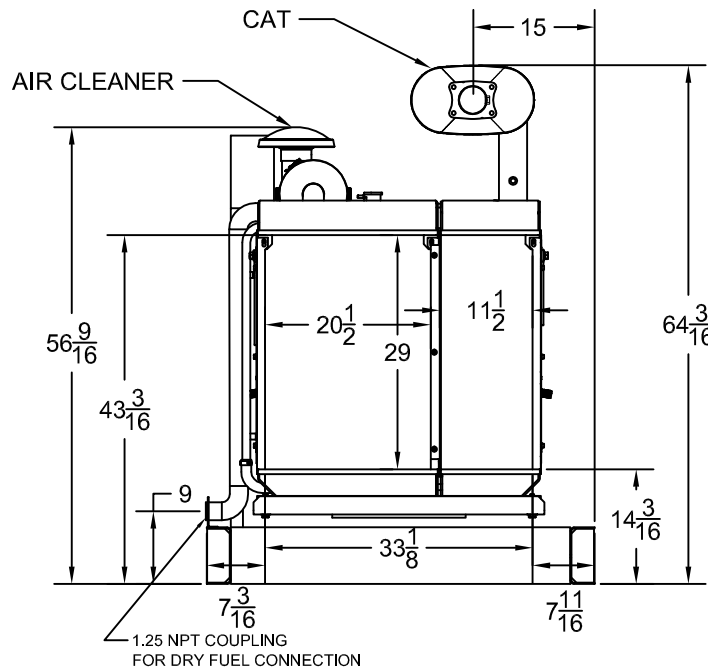
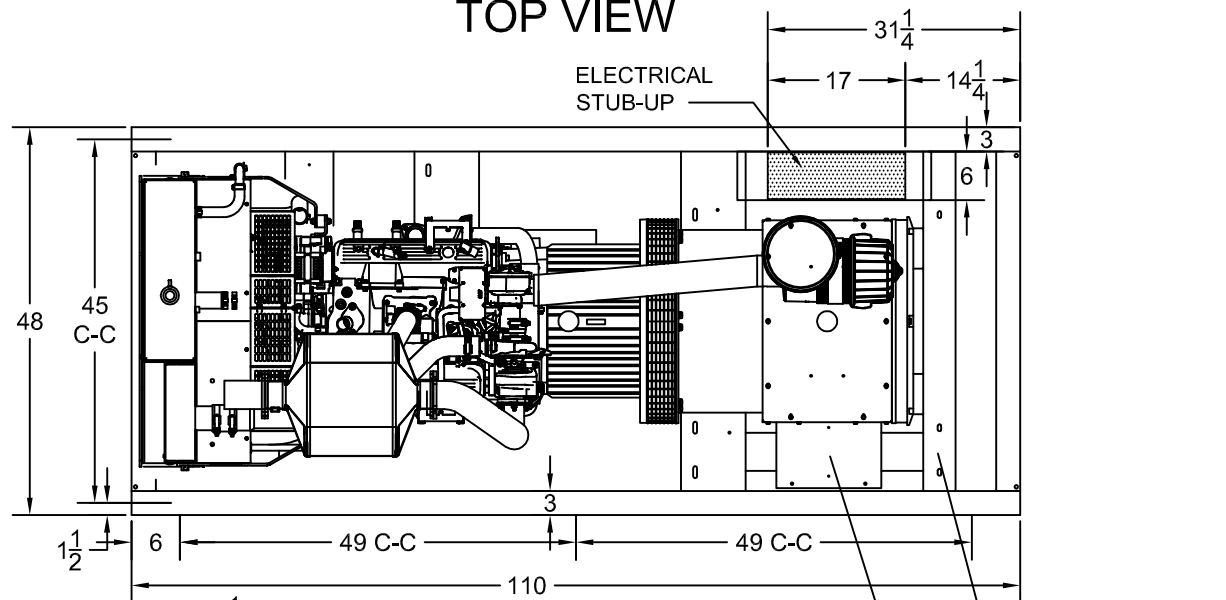
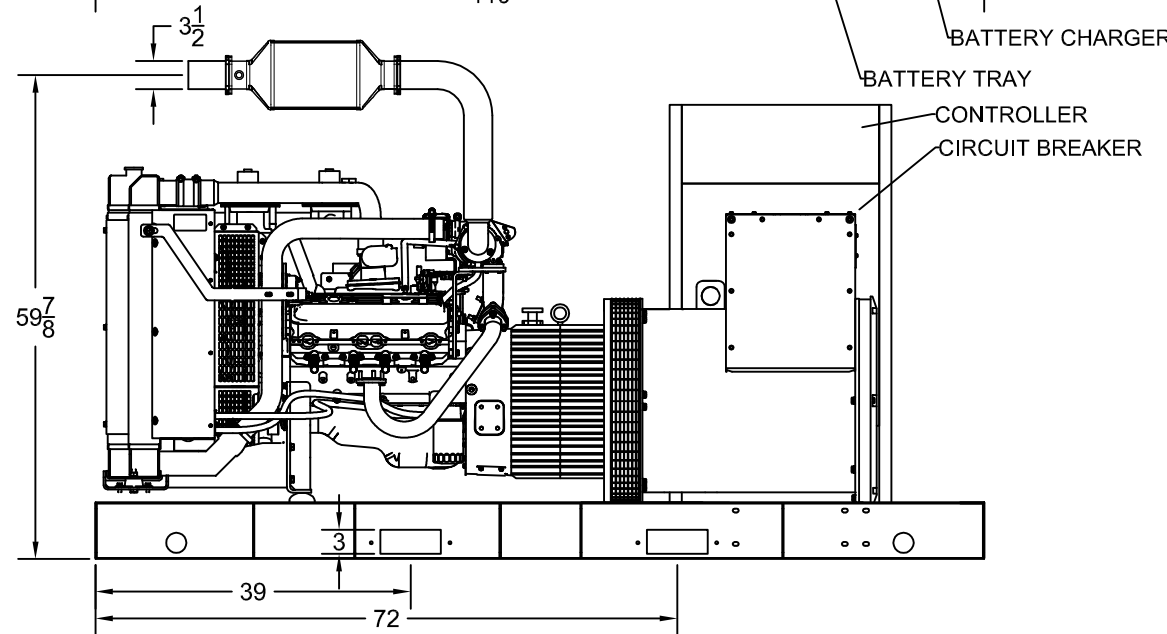


SP-1200 OPEN DIMENSIONAL OVERVIEW

TOP VIEW



RADIATOR VIEW



SIDE VIEW