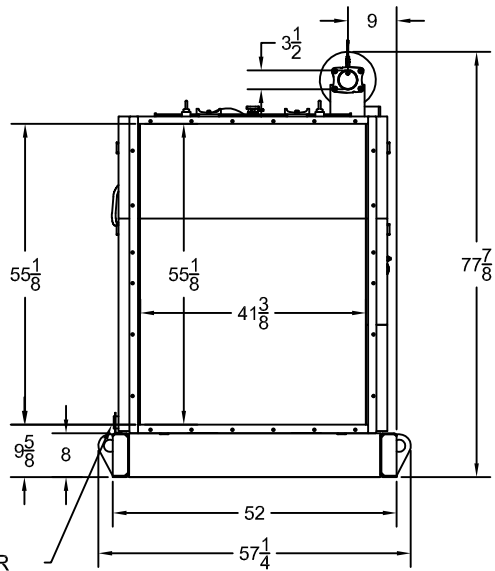
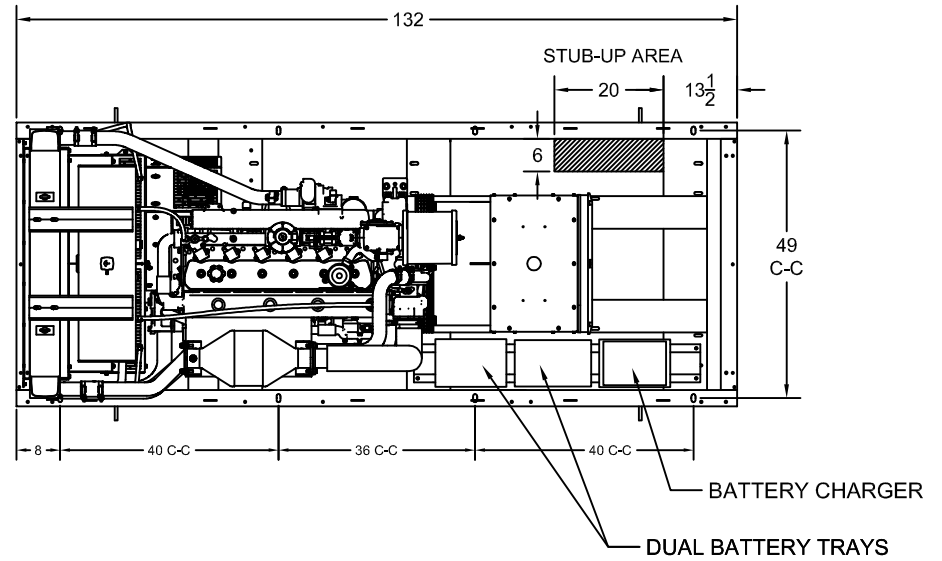


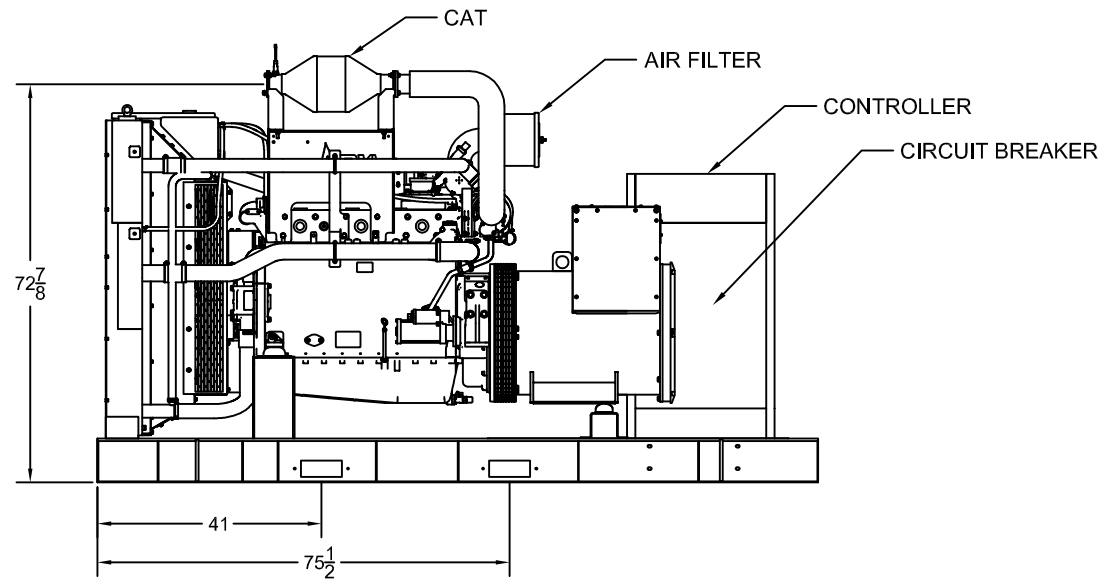
SP-2000 OPEN DIMENSIONAL OVERVIEW

TOP VIEW



2" NPT COUPLER FOR
DRY FUEL CONNECTION

RADIATOR VIEW



SIDE VIEW