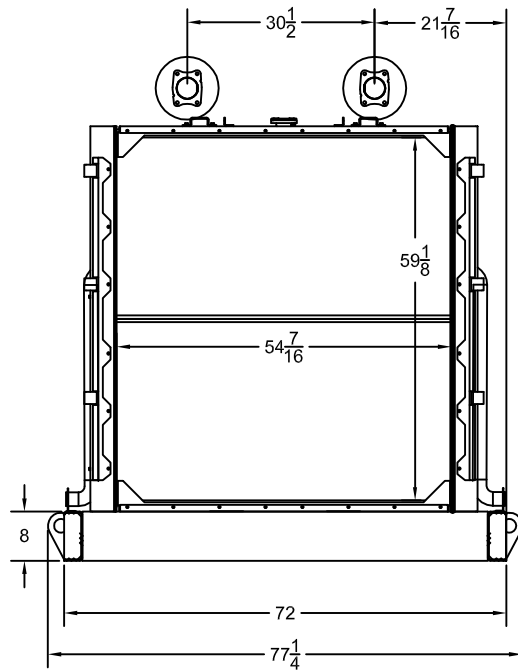
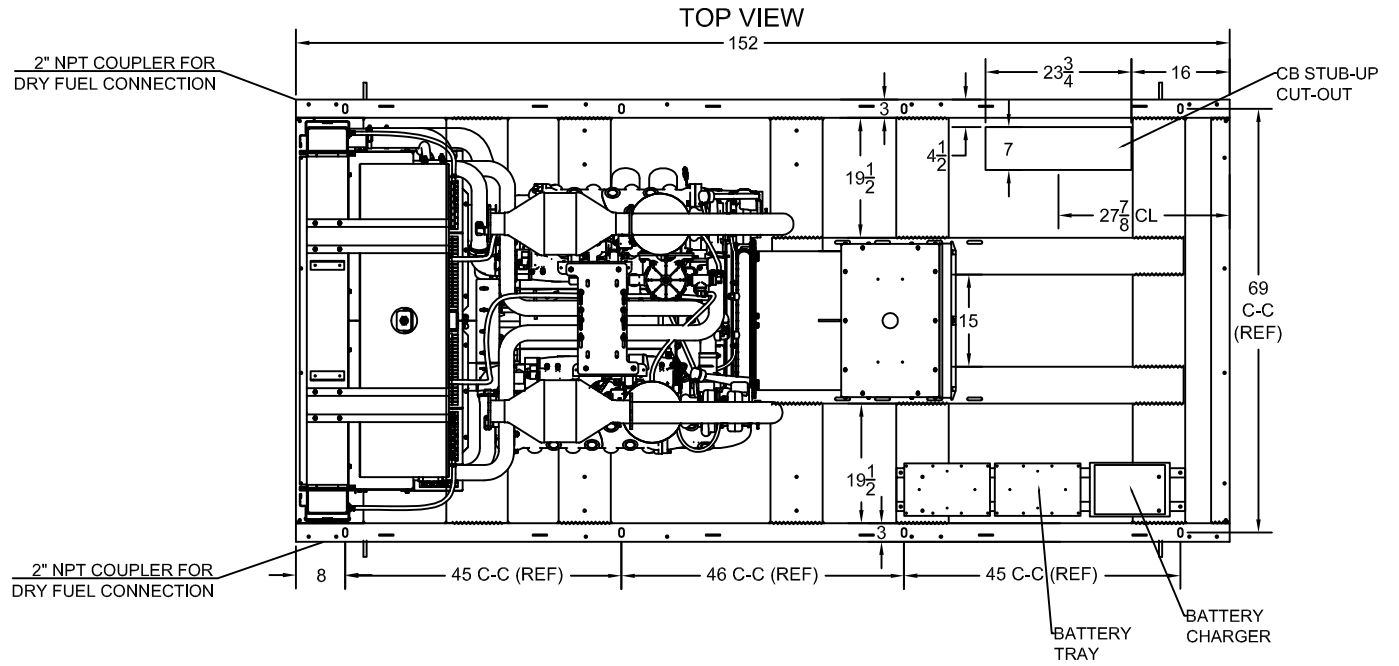
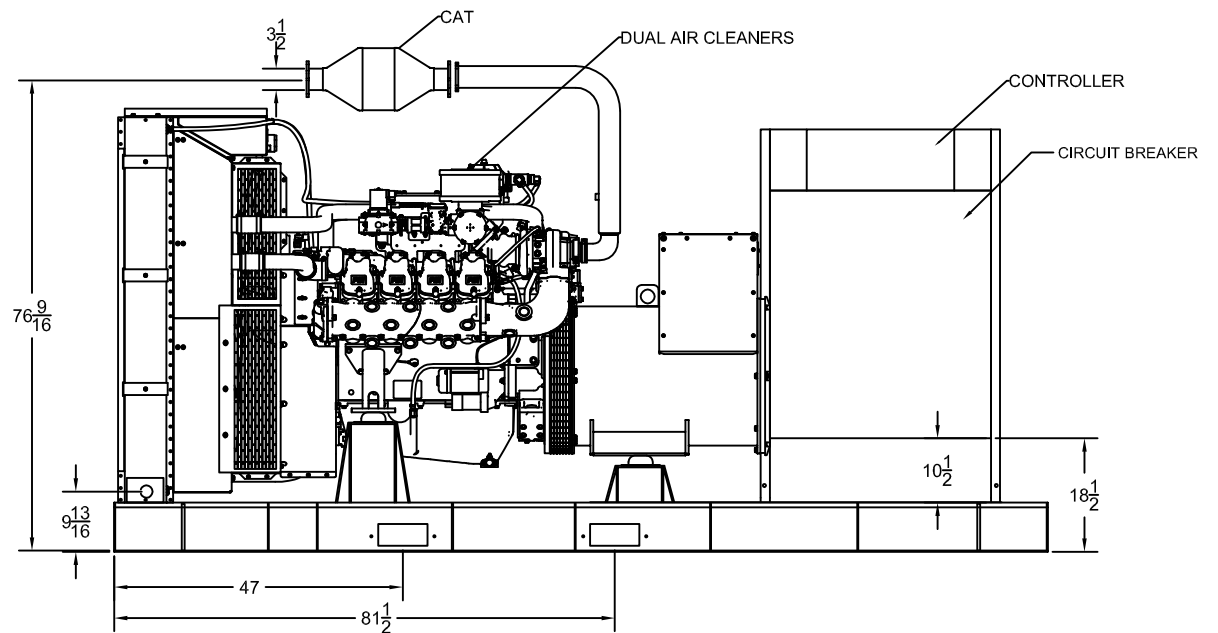


SP-3000 OPEN DIMENSIONAL OVERVIEW



RADIATOR VIEW



SIDE VIEW