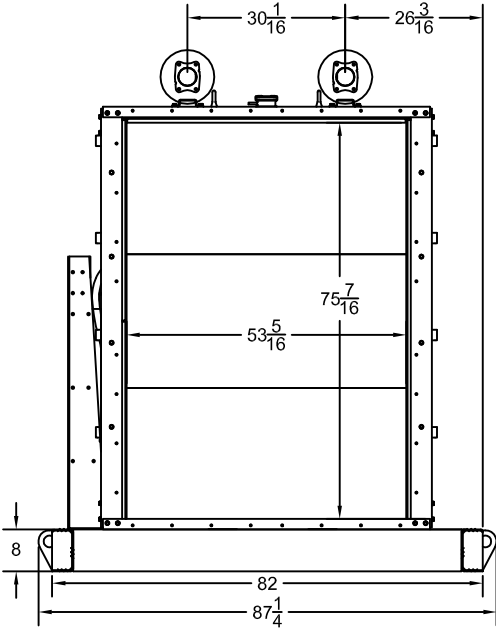
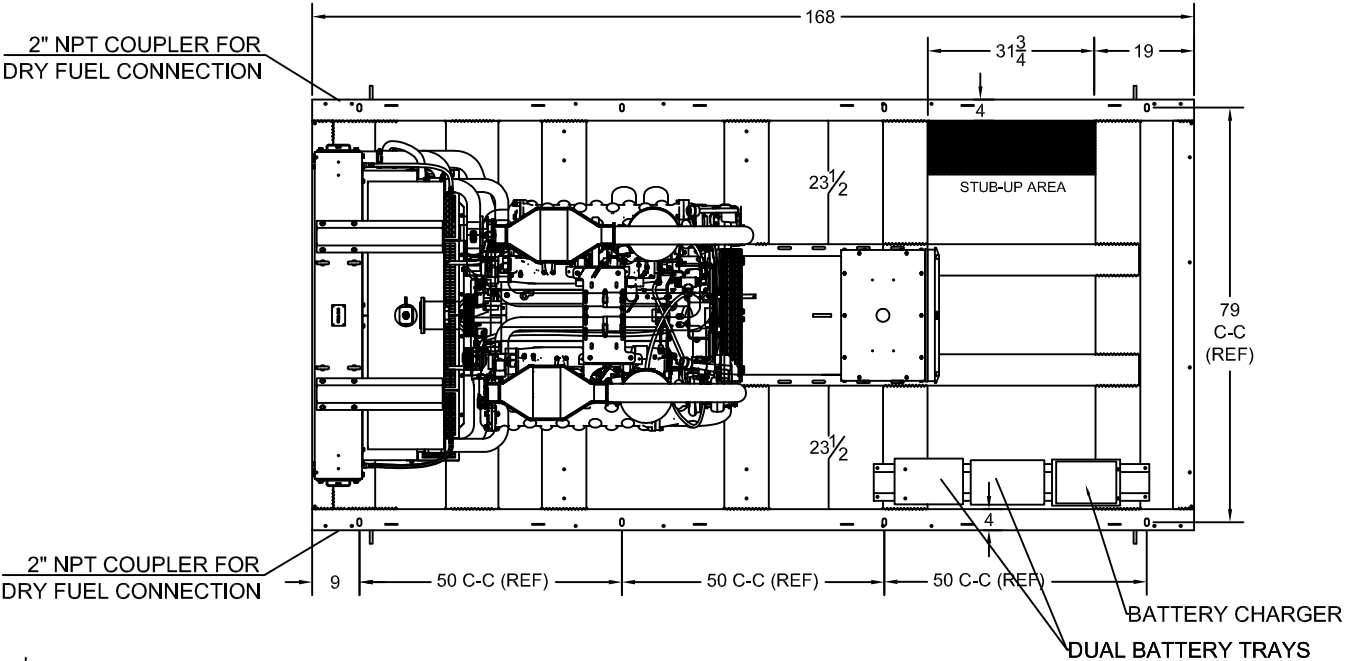
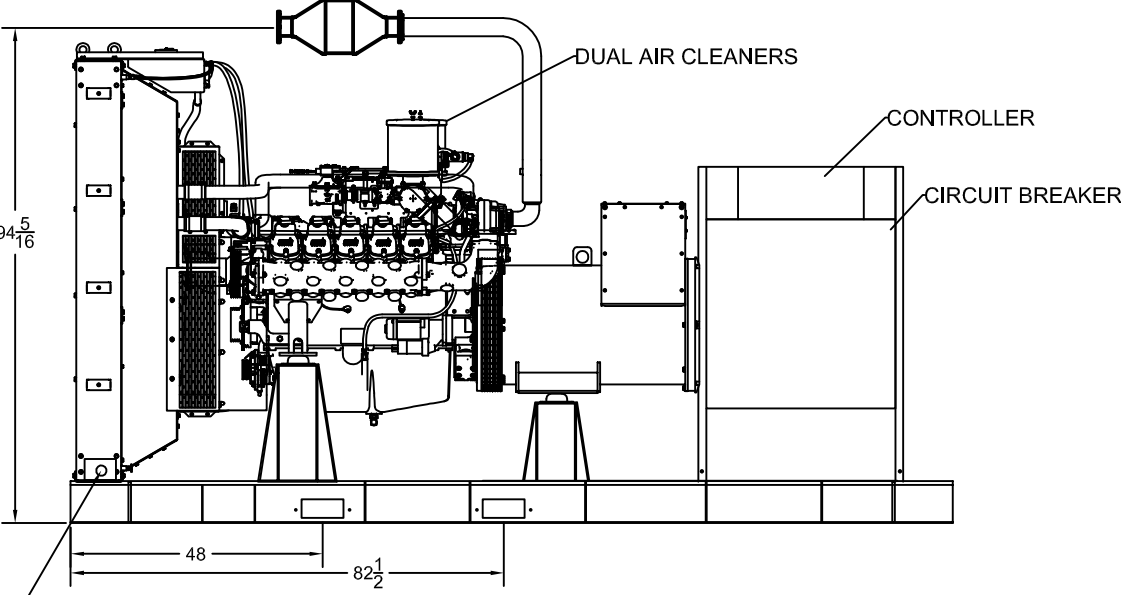


SP-3500 OPEN DIMENSIONAL OVERVIEW

TOP VIEW



RADIATOR VIEW



2" NPT COUPLER FOR DRY FUEL CONNECTION BOTH SIDES

SIDE VIEW