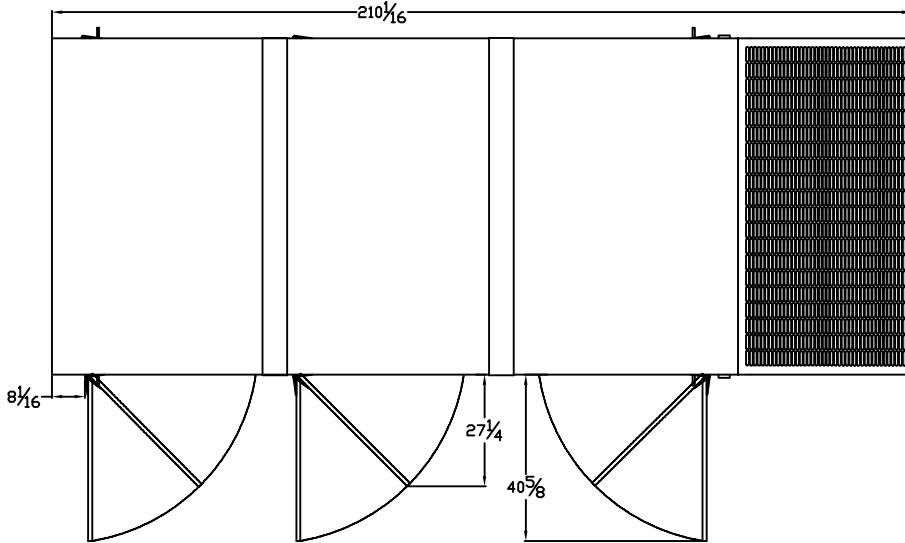


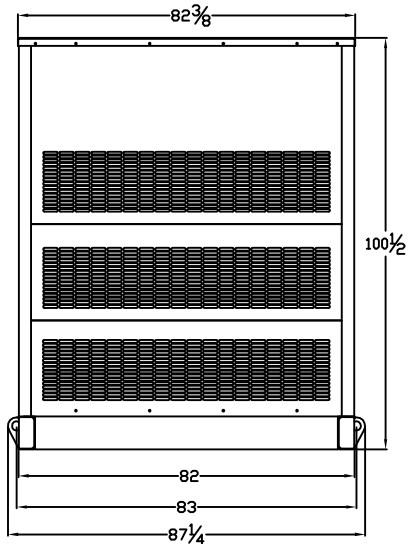
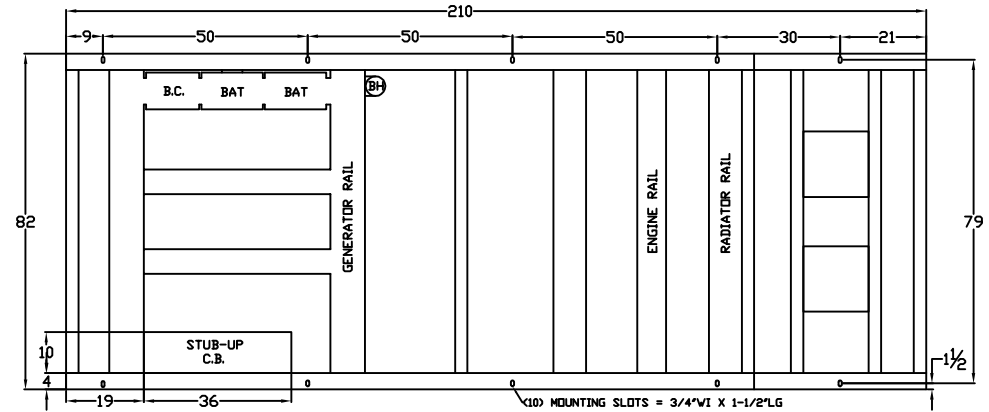
LEVEL 2 ENCLOSURE OUTLINE DIMENSIONS FOR SP-3500 THRU SP-4250 & SPMD-5500 THRU SPMD-6000

TOP VIEW

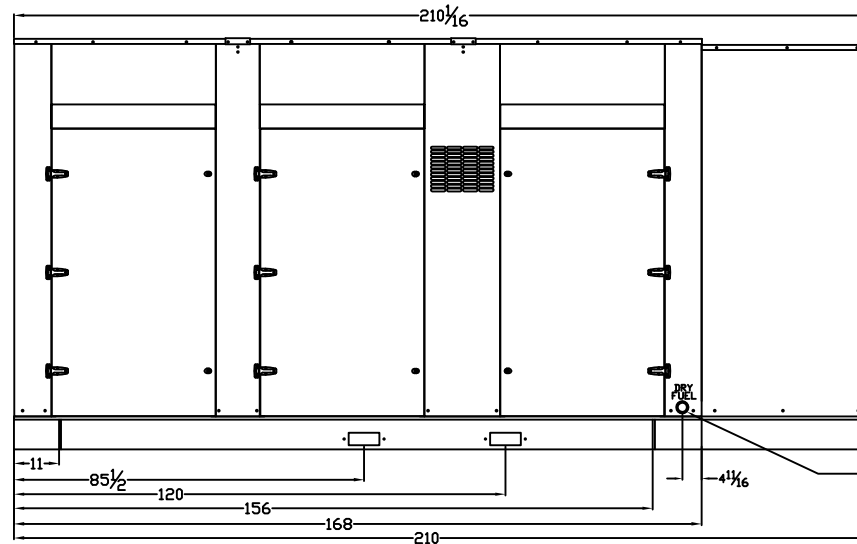
(GEN-SET HAS (6) DOORS, (3) SHOWN OPEN ARE TYPICAL FOR BOTH SIDES)



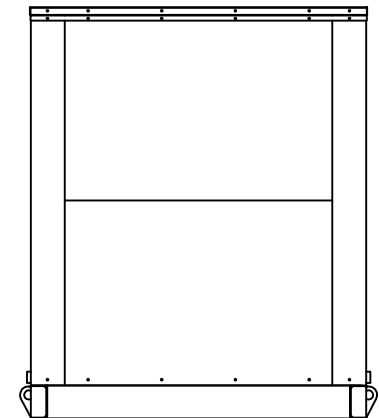
FRAME VIEW



GENERATOR END VIEW



SIDE VIEW



2" 3P NPTF COUPLING FOR DRY FUEL CONNECTION LOCATED ON BOTH SIDES

RADIATOR END VIEW