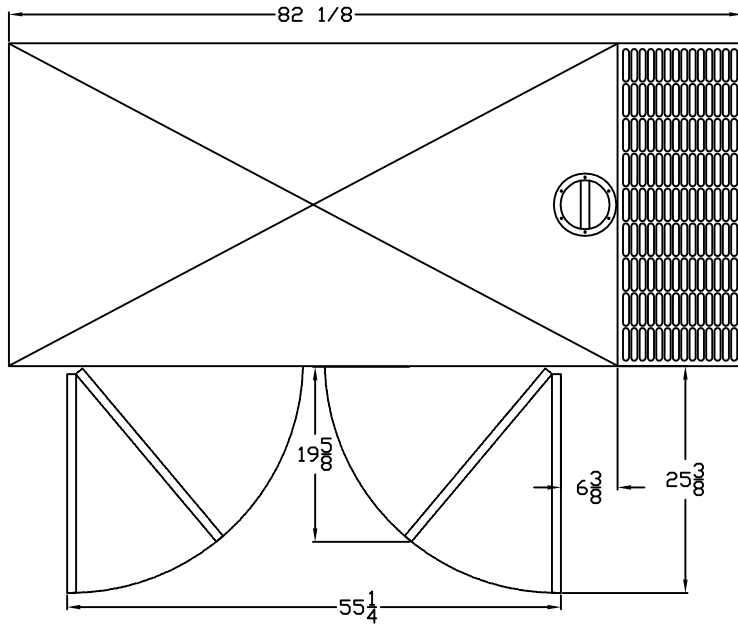


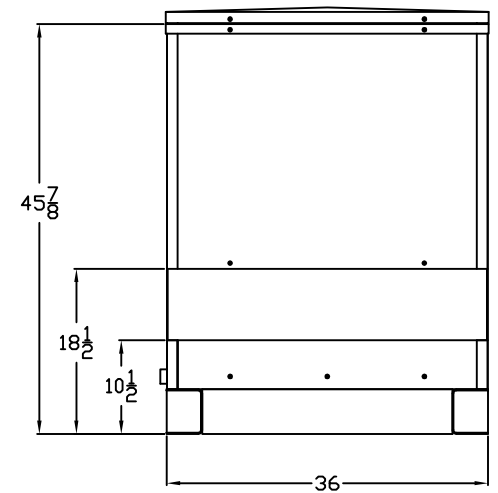
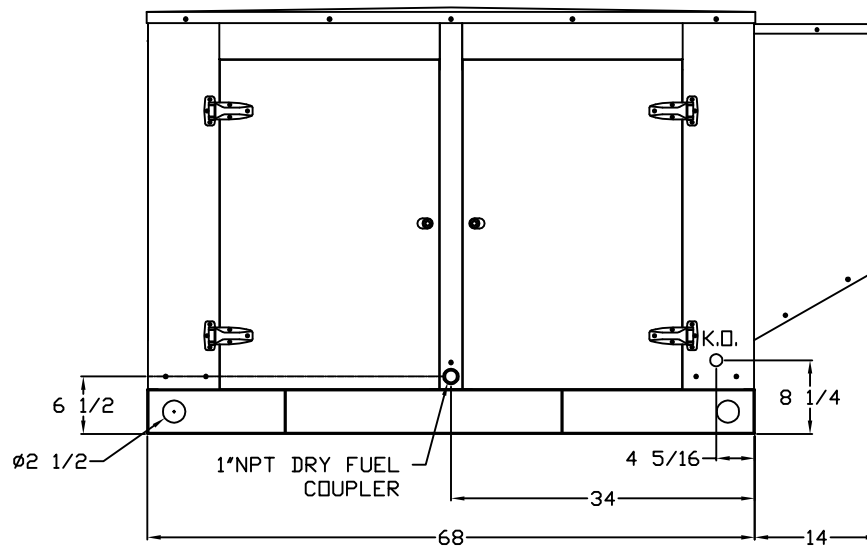
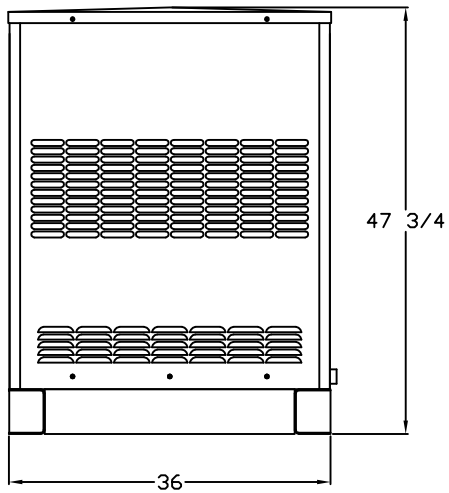
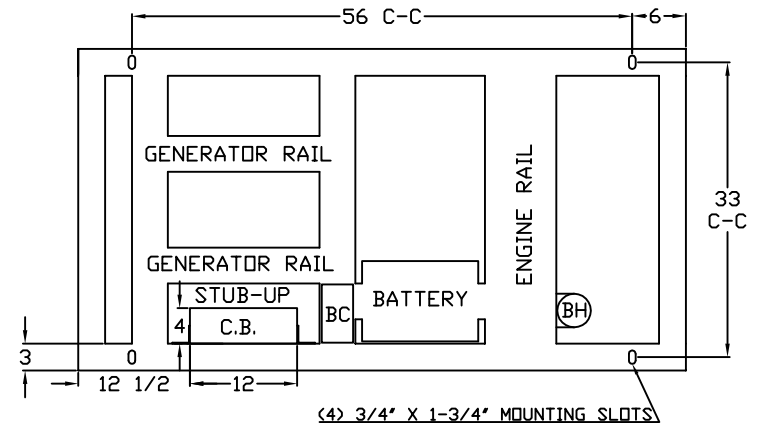
OUTLINE DIMENSIONS FOR 20 THRU 30 KW LEVEL 2 ENCLOSURE (HINGED DOORS)

TOP VIEW

(GEN-SET HAS (4) DOORS, (2) SHOWN OPEN ARE TYPICAL FOR BOTH SIDES)



FRAME VIEW



GENERATOR END VIEW

SIDE VIEW

RADIATOR END VIEW