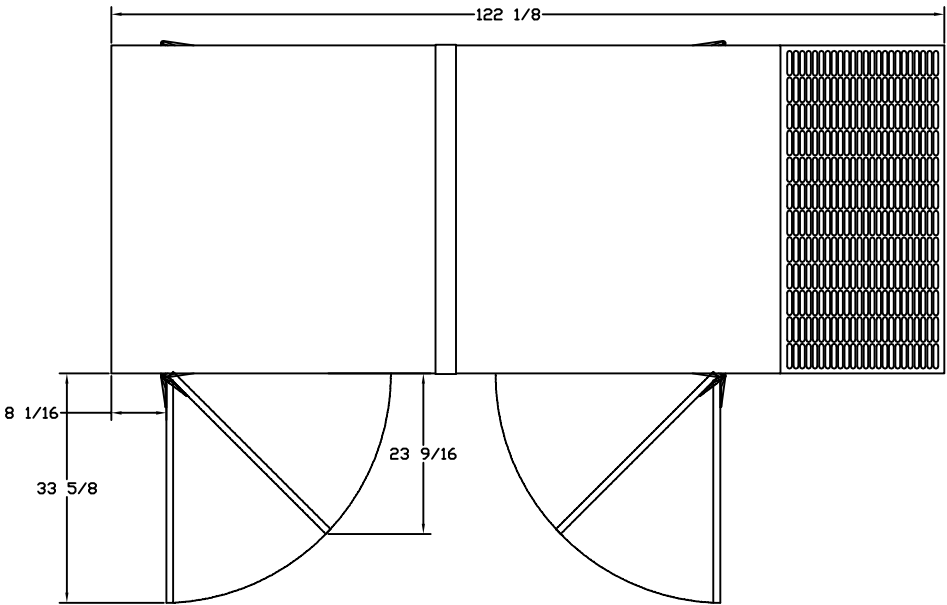


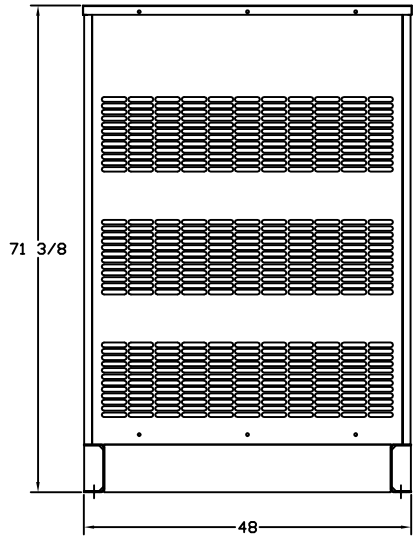
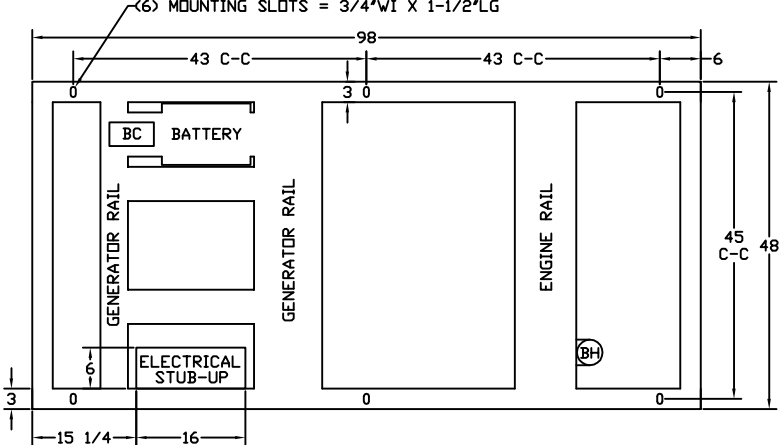
OUTLINE DIMENSIONS FOR 80 THRU 125 KW LEVEL 2 ENCLOSURE (HINGED DOORS)

TOP VIEW

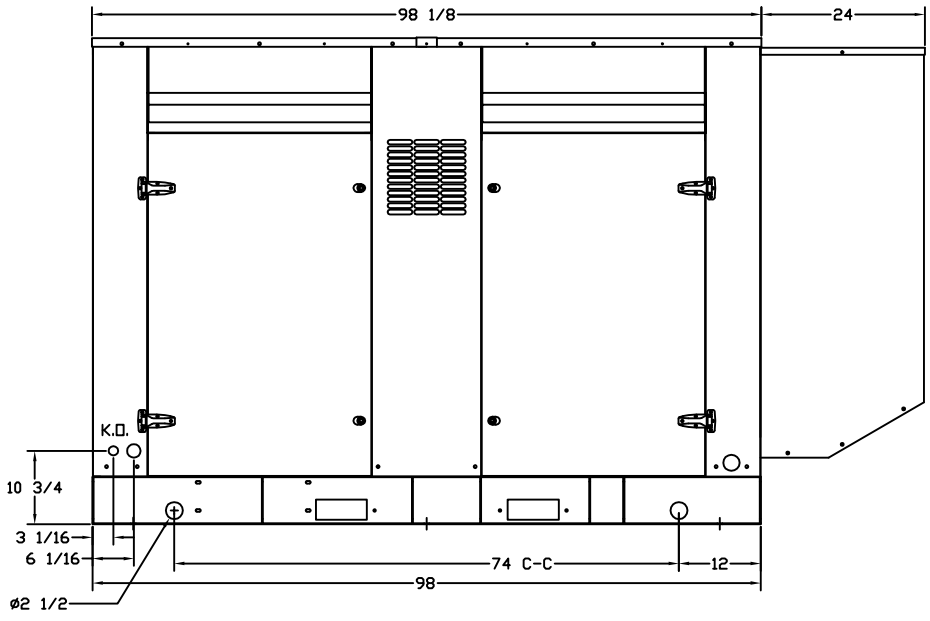
(GEN-SET HAS (4) DOORS, (2) SHOWN OPEN ARE TYPICAL FOR BOTH SIDES)



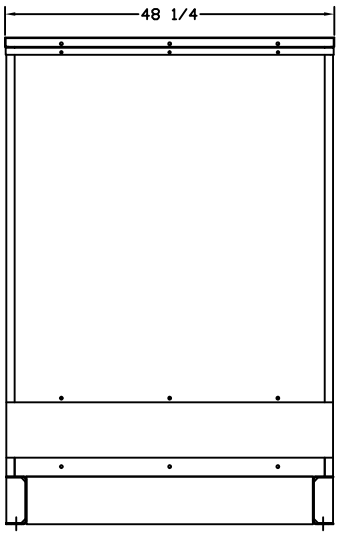
BASE VIEW



GENERATOR END VIEW



SIDE VIEW



RADIATOR END VIEW