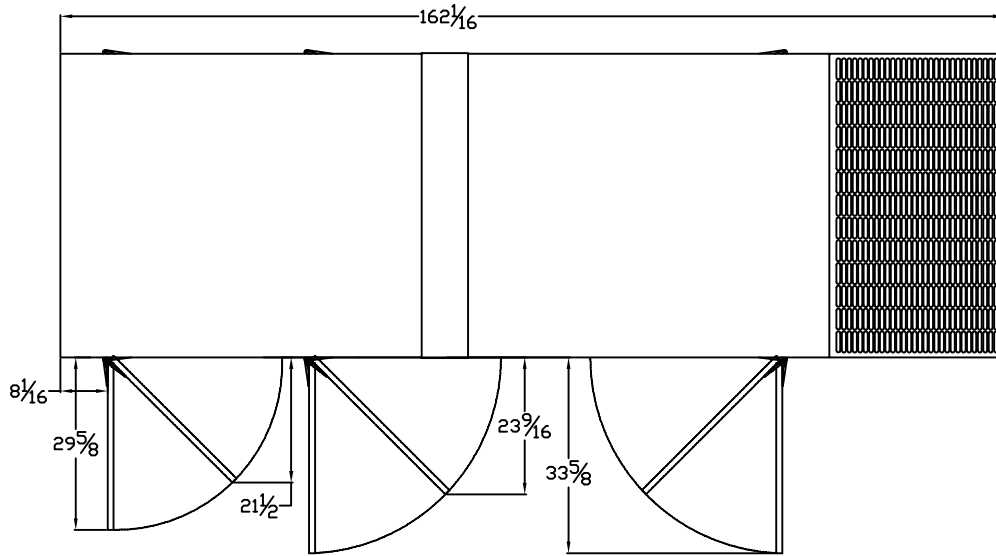


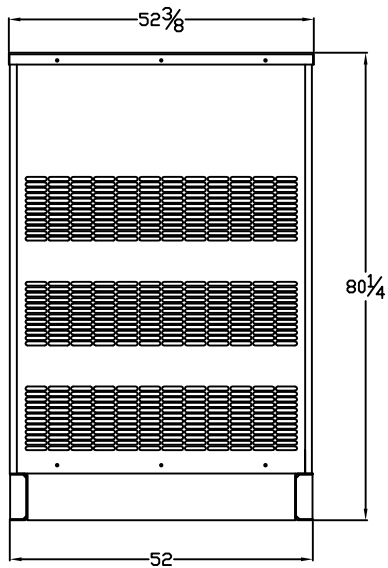
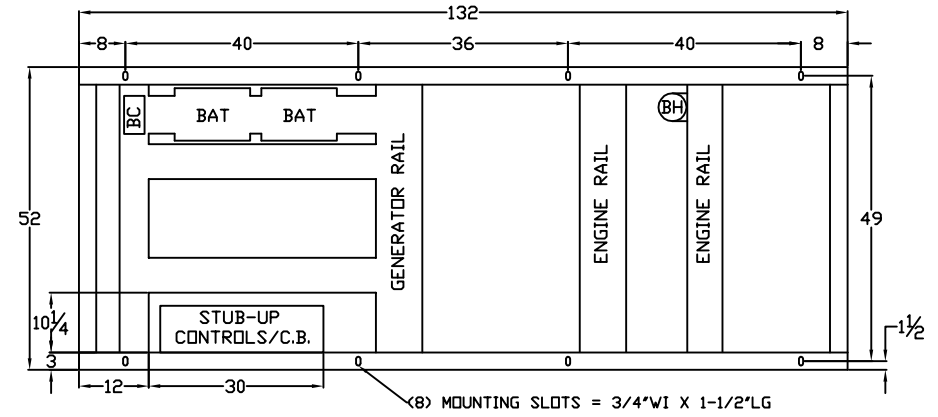
OUTLINE DIMENSIONS FOR SPVD 250 - 400 KW LEVEL 2 ENCLOSURE (HINGED DOORS)

TOP VIEW

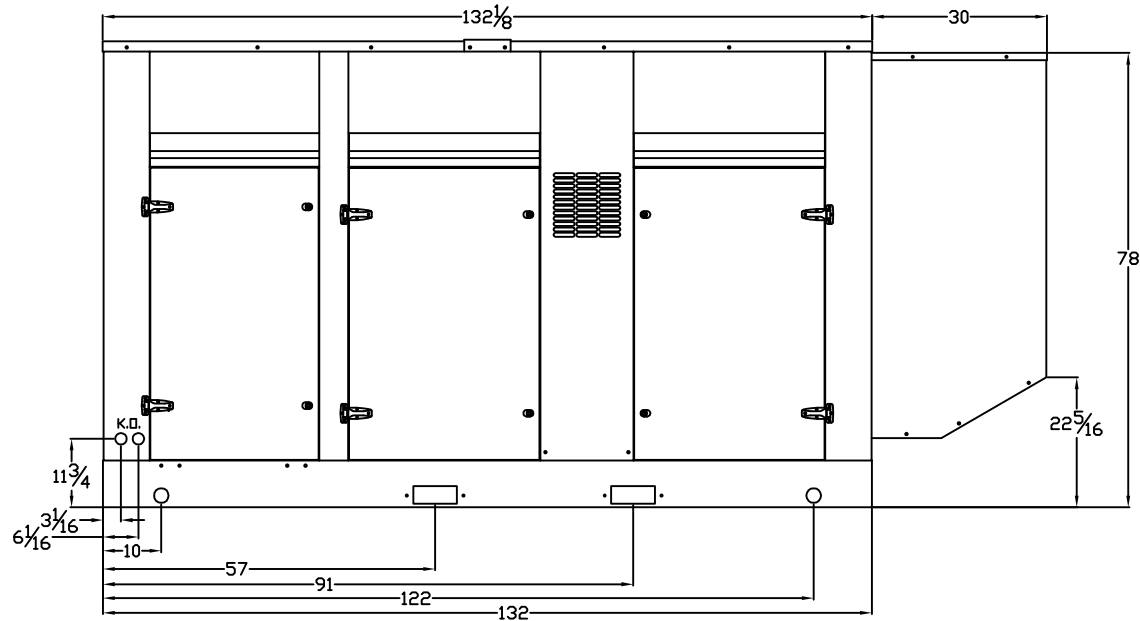
<GEN-SET HAS <6> DOORS, <3> SHOWN OPEN ARE TYPICAL FOR BOTH SIDES



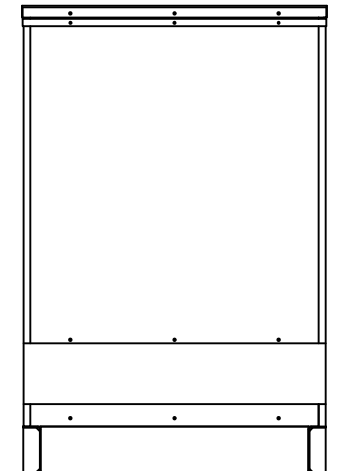
FRAME VIEW



GENERATOR END VIEW



SIDE VIEW



RADIATOR END VIEW