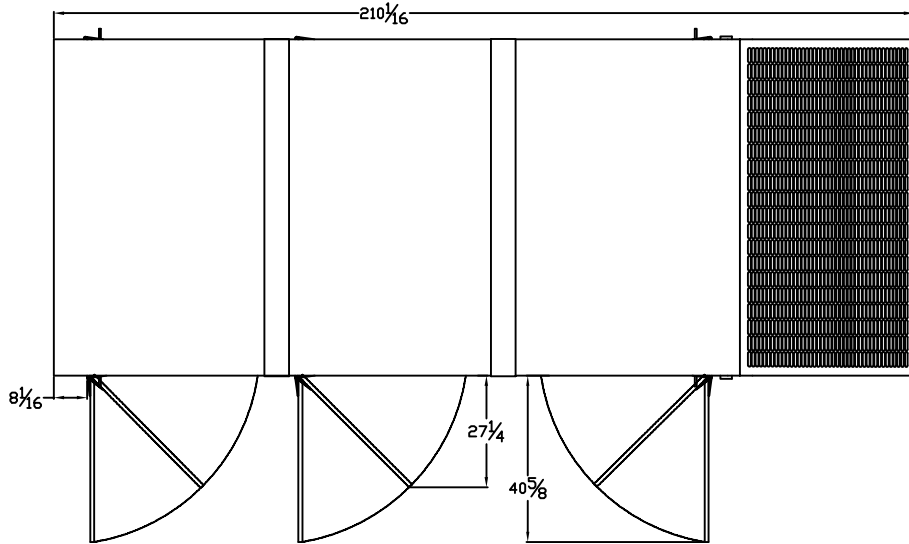


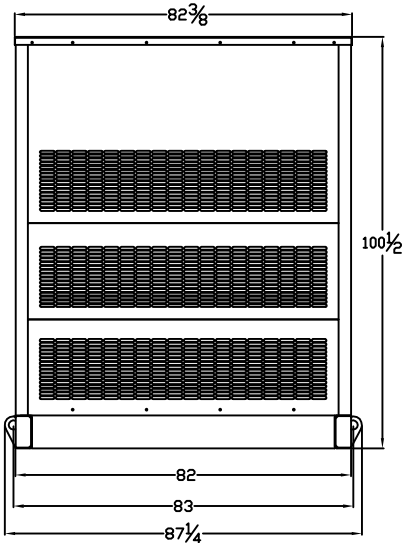
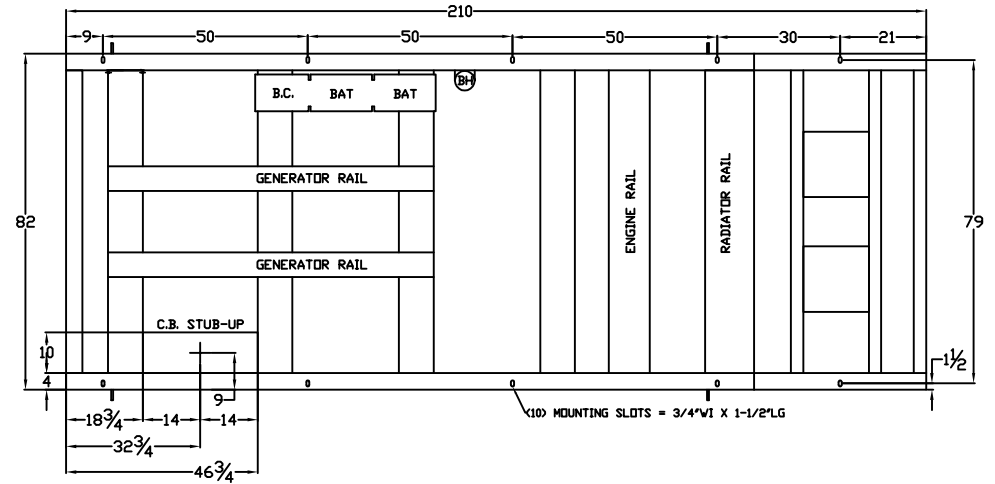
# LEVEL 2 ENCLOSURE OUTLINE DIMENSIONS FOR PR-3000 THRU PR-3500

**TOP VIEW**

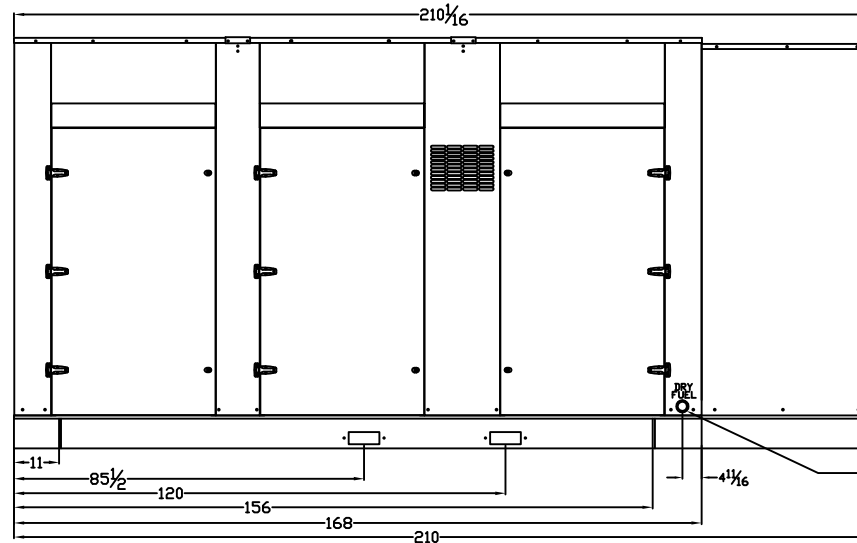
(GEN-SET HAS (6) DOORS, (3) SHOWN OPEN ARE TYPICAL FOR BOTH SIDES)



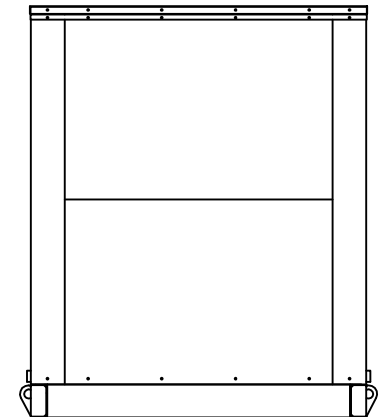
**FRAME VIEW**



**GENERATOR END VIEW**



**SIDE VIEW**



2" 3P NPTF COUPLING FOR DRY FUEL CONNECTION LOCATED ON BOTH SIDES

**RADIATOR END VIEW**