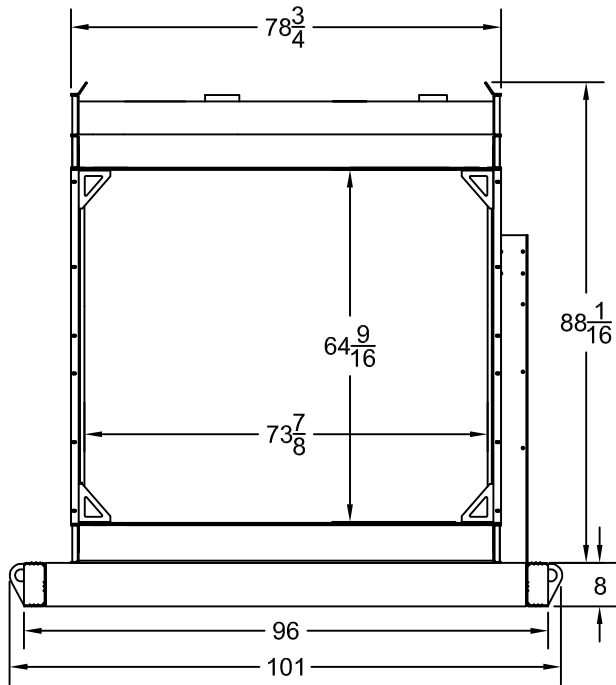
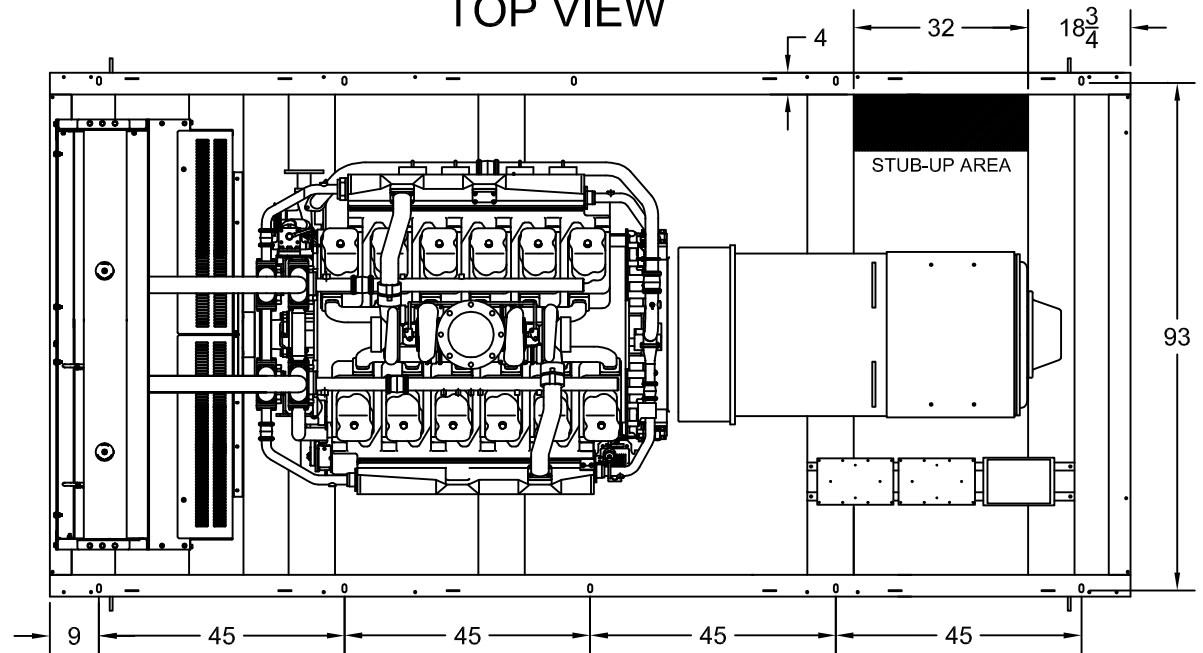
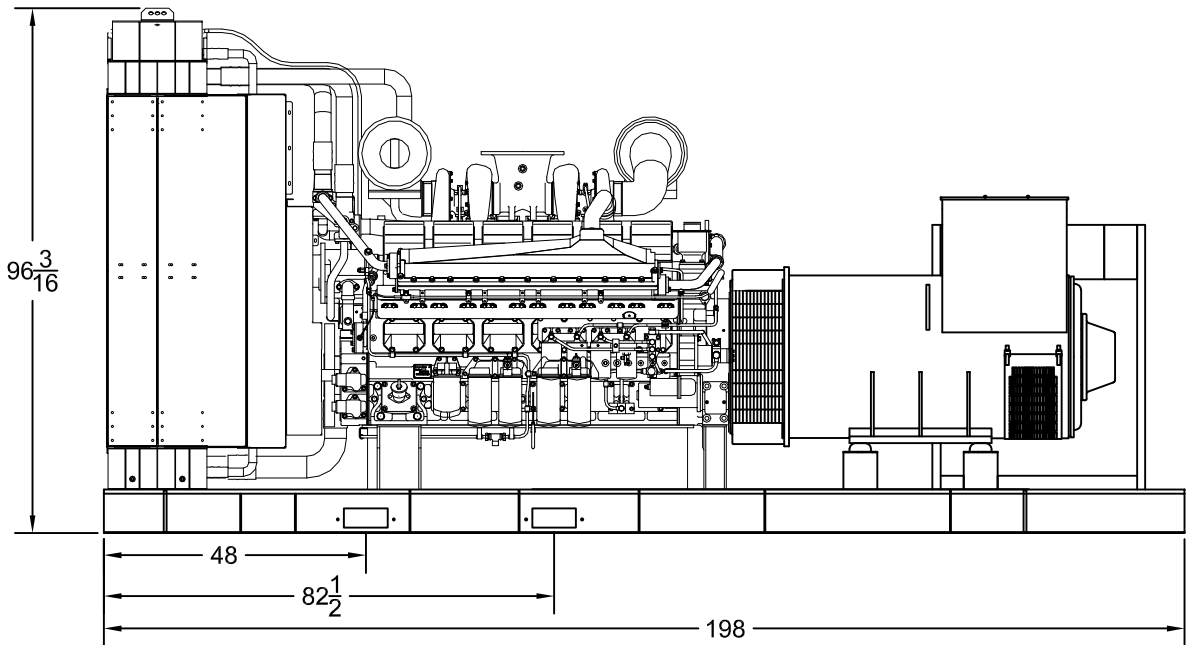


SPMI-1M OPEN DIMENSIONAL OVERVIEW

TOP VIEW



RADIATOR VIEW



SIDE VIEW