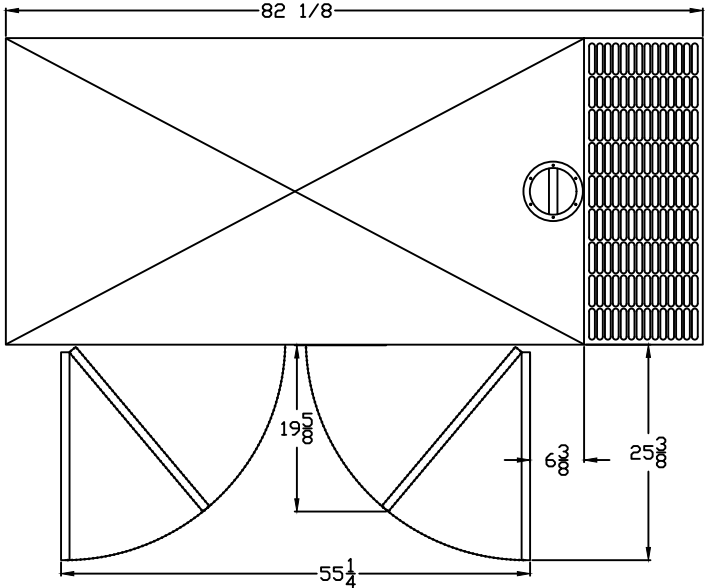


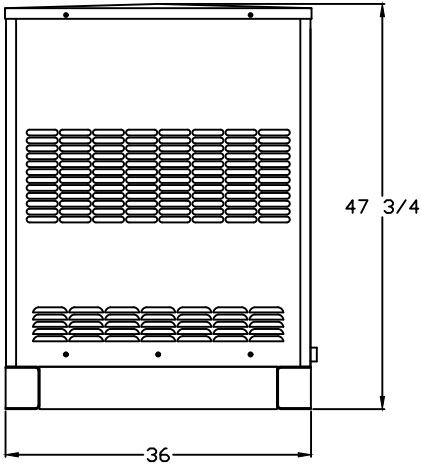
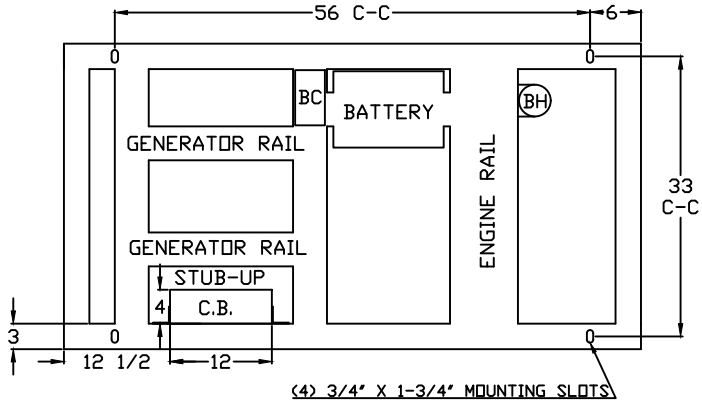
OUTLINE DIMENSIONS FOR SPD-300 KW LEVEL 2 ENCLOSURE (HINGED DOORS)

TOP VIEW

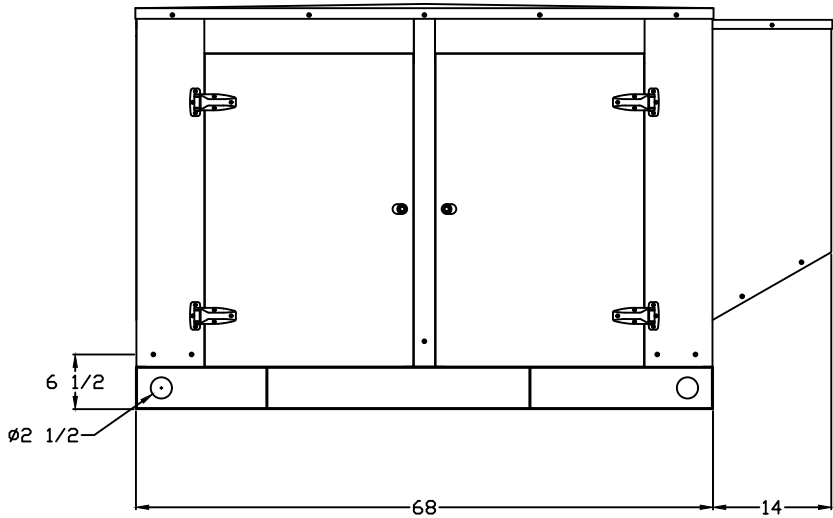
(GEN-SET HAS (4) DOORS, (2) SHOWN OPEN ARE TYPICAL FOR BOTH SIDES)



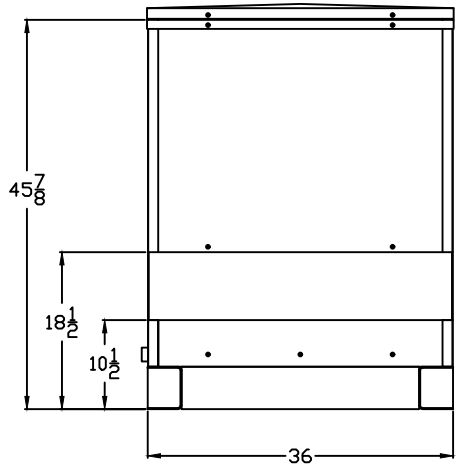
FRAME VIEW



GENERATOR END VIEW



SIDE VIEW



RADIATOR END VIEW