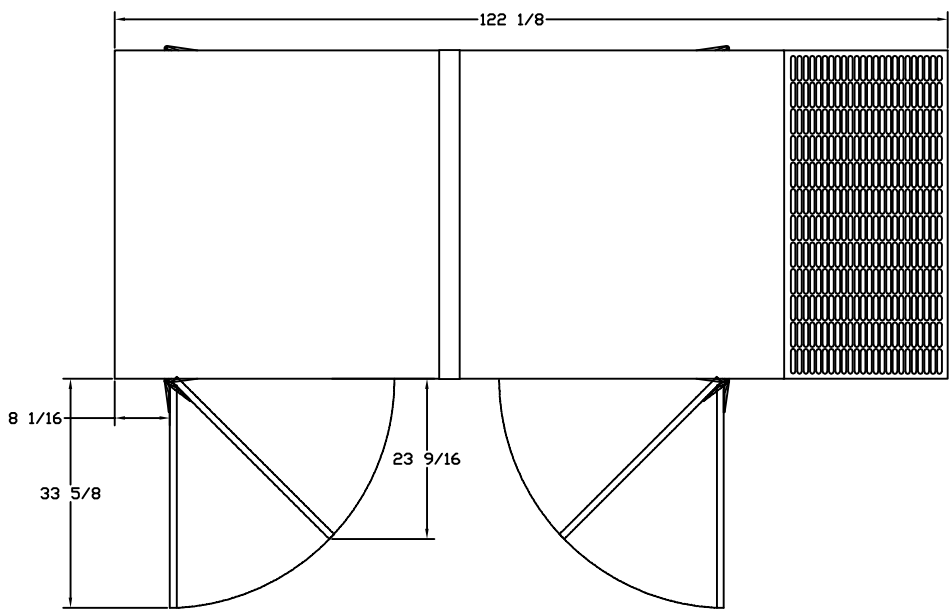


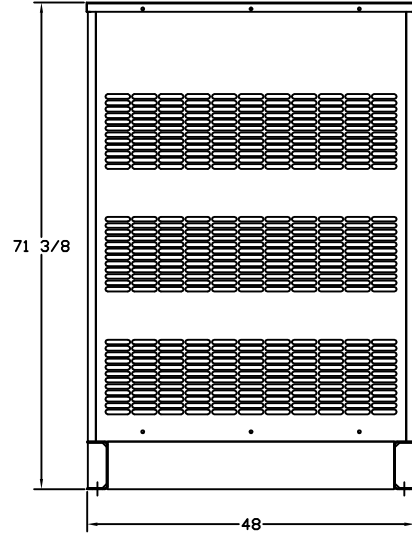
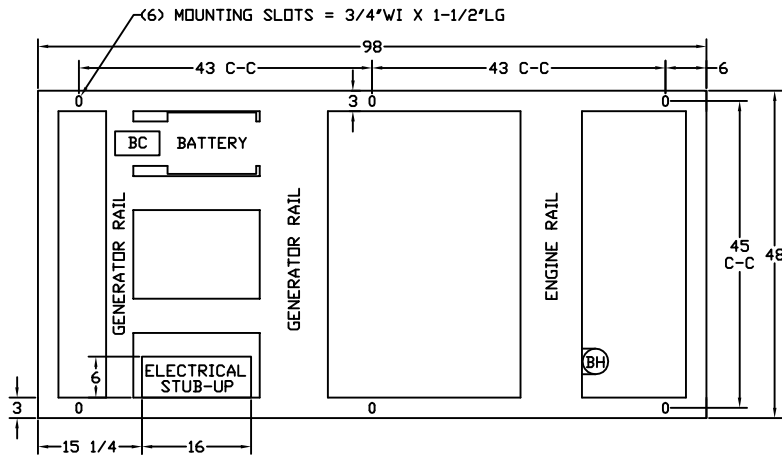
# OUTLINE DIMENSIONS FOR 80 - 120 KW LEVEL 2 ENCLOSURE (HINGED DOORS)

## TOP VIEW

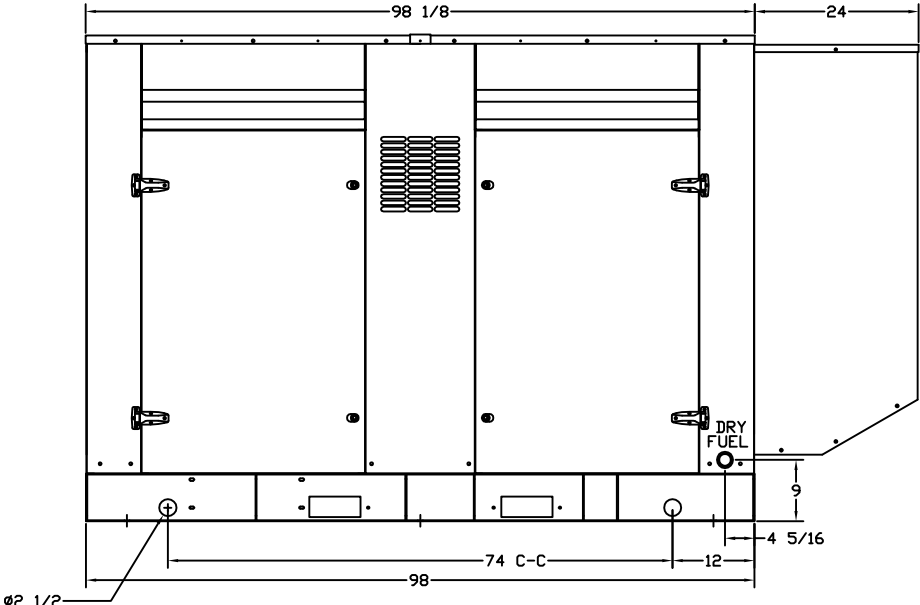
(GEN-SET HAS (4) DOORS, (2) SHOWN OPEN ARE TYPICAL FOR BOTH SIDES)



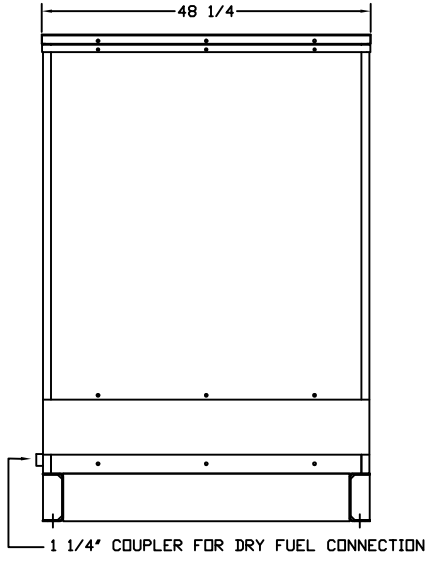
## BASE VIEW



**GENERATOR END VIEW**



**SIDE VIEW**



**RADIATOR END VIEW**