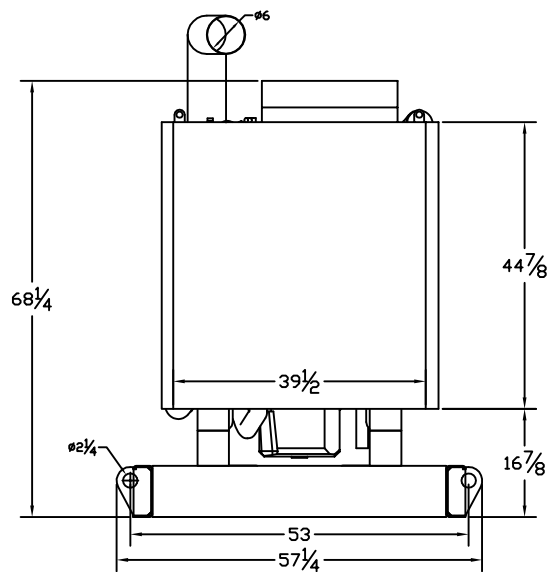
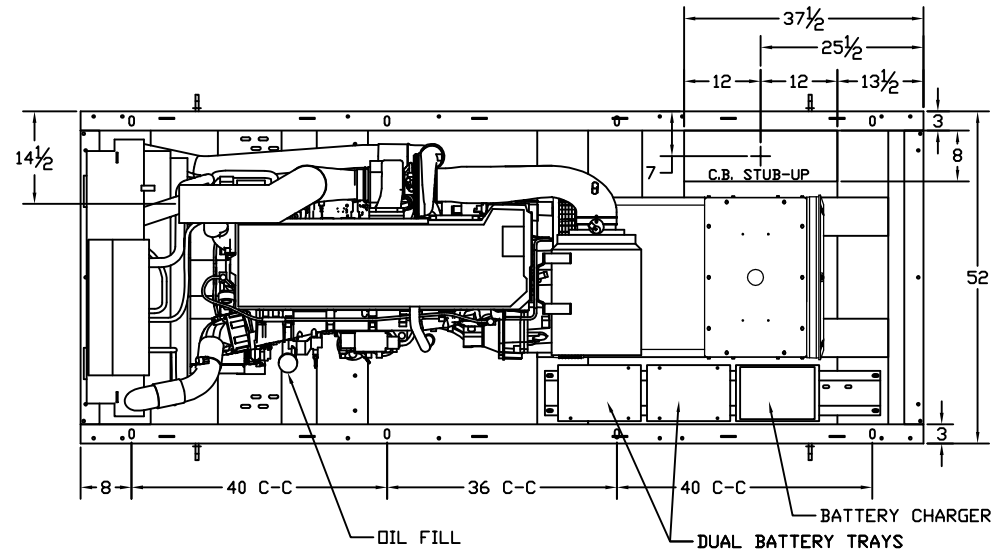
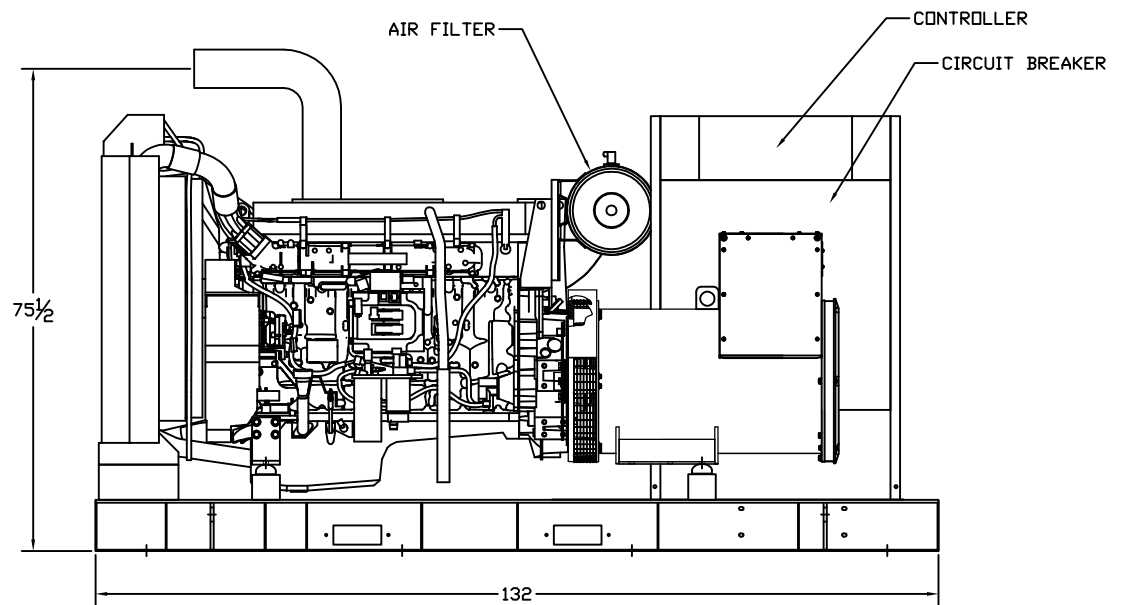


# OUTLINE DIMENSIONS FOR SPVD-3500 OPEN

## TOP VIEW



## RADIATOR END VIEW



## RIGHT SIDE VIEW