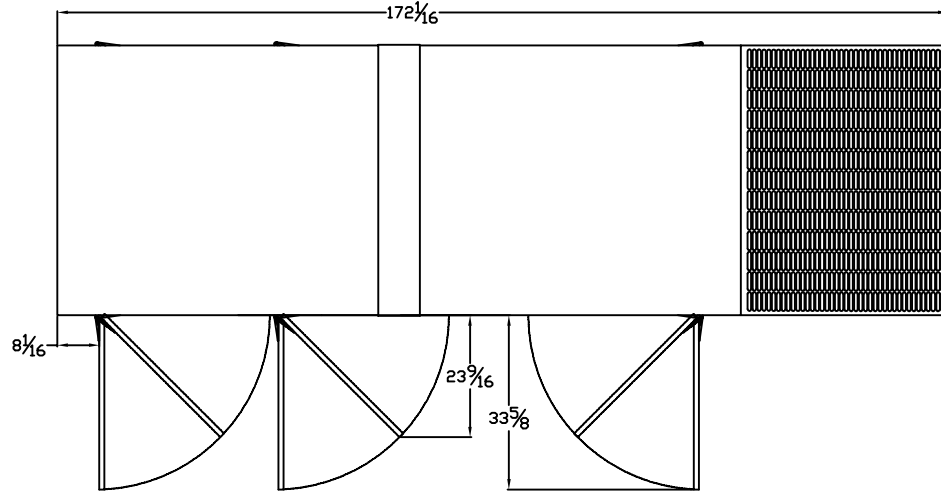


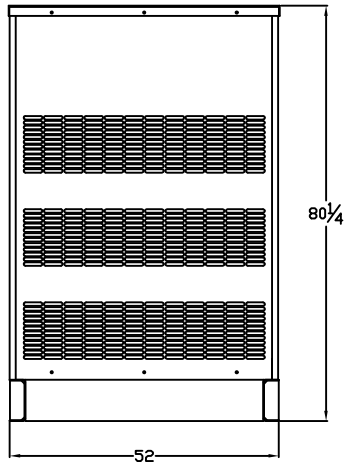
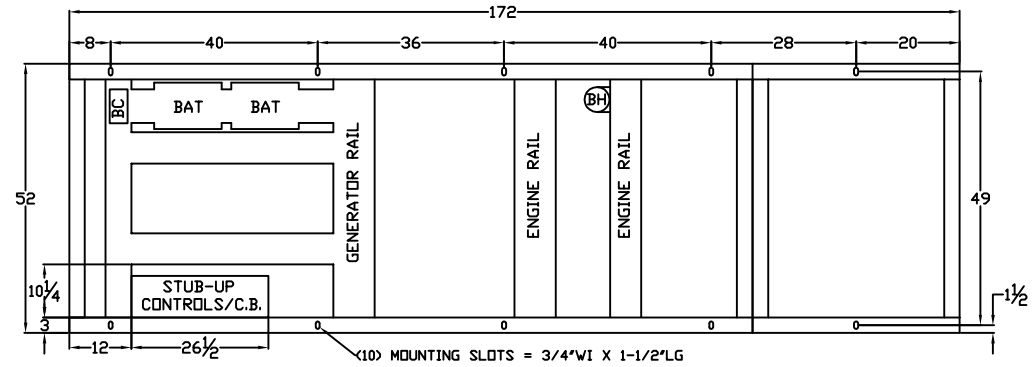
# OUTLINE DIMENSIONS FOR T4D 200 KW LEVEL 2 ENCLOSURE (HINGED DOORS)

**TOP VIEW**

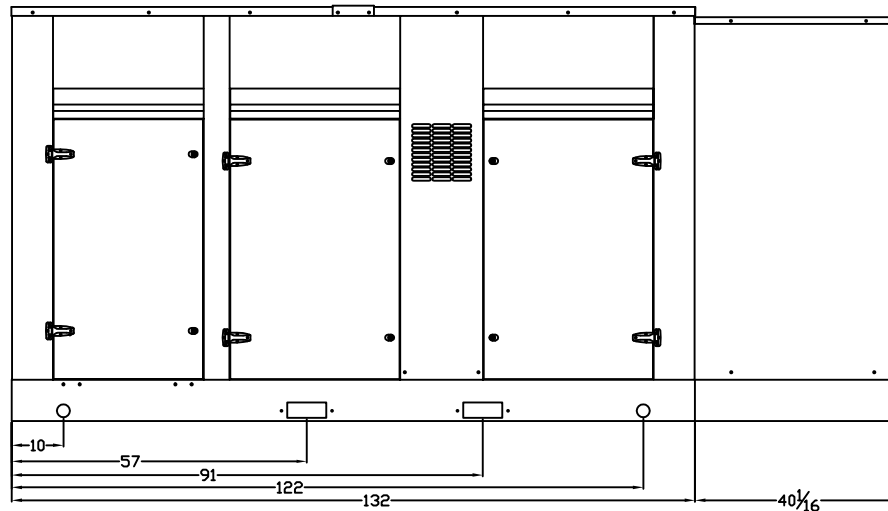
(GEN-SET HAS (6) DOORS, (3) SHOWN OPEN ARE TYPICAL FOR BOTH SIDES)



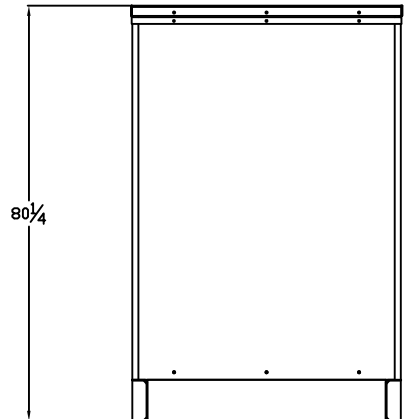
**FRAME VIEW**



**GENERATOR END VIEW**



**SIDE VIEW**



**RADIATOR END VIEW**