



GILLETTE GENERATORS

LIQUID COOLED DIESEL ENGINE GENERATOR SET

Model	HZ	STANDBY
		120°C RISE
SPD-1000-60 HERTZ	60	100



All generator sets are USA prototype built and thoroughly tested. Production models are USA factory built and 100% load tested.



UL2200, UL1446, UL508, UL142, UL498



NFPA 110, 99, 70, 37

All generator sets meet NFPA-110 Level 1, when equipped with the necessary accessories and installed per NFPA standards.



NEC 700, 701, 702, 708



NEMA ICS10, MG1, ICS6, AB1



ANSI C62.41, 27, 59, 32, 480, 40Q, 81U, 360-05



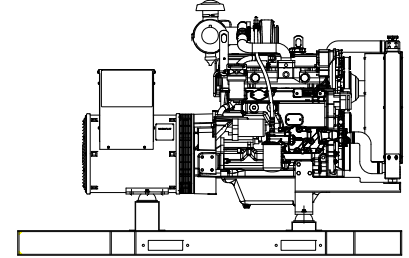
ASCE 7-05 & 7-10

All generator sets meet 180 MPH rating.



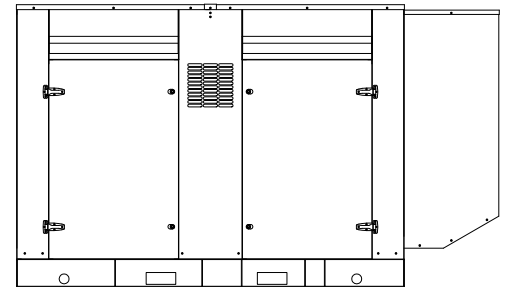
EPA 40CFR Part 60, 1048, 1054, 1065, 1068

60 HZ MODEL
SPD-1000



“OPEN” GEN-SET

There is no enclosure, so gen-set must be placed within a weather protected area, uninhabited by humans or animals, with proper ventilation. Silencer not supplied, as installation requirements are not known. However, this item is available as optional equipment.



“LEVEL 2” HOUSED GEN-SET

Full aluminum weather protection and superior sound attenuation for specific low noise applications. Critical grade muffler is standard.

GENERATOR RATINGS

GENERATOR MODEL	VOLTAGE		PH	HZ	120°C RISE STANDBY RATING		POWER LEAD CONNECTIONS
	L-N	L-L			KW/KVA	AMP	
SPD-1000-1-1	120	240	1	60	100/100	416	4 LEAD DEDICATED 1 PH
SPD-1000-3-2	120	208	3	60	100/125	347	12 LEAD LOW WYE
SPD-1000-3-3	120	240	3	60	100/125	301	12 LEAD HIGH DELTA
SPD-1000-3-4	277	480	3	60	100/125	151	12 LEAD HIGH WYE
SPD-1000-3-5	127	220	3	60	100/125	328	12 LEAD LOW WYE
SPD-1000-3-16	346	600	3	60	100/125	120	4 LEAD DEDICATED

RATINGS: All single phase gen-sets are dedicated 4 lead windings, rated at unity (1.0) power factor. All three phase gen-sets are 12 lead windings, rated at .8 power factor. 120° C “STANDBY RATINGS” are strictly for gen-sets that are used for back-up emergency power to a failed normal utility power source. This standby rating allows varying loads, with no overload capability, for the entire duration of utility power outage. All gen-set power ratings are based on temperature rise measured by resistance method as defined by MIL-STD 705C and IEEE STD 115, METHOD 6.4.4. All generators have class H (180°C) insulation system on both rotor and stator windings. All factory tests and KW/KVA charts shown above are based 120°C (standby) R/R winding temperature, within a maximum 40°C ambient condition. Generators operated at standby power ratings must not exceed the temperature rise limitation for class H insulation system, as specified in NEMA MG1-22.40. Specifications & ratings are subject to change without prior notice.

APPLICATION AND ENGINEERING DATA FOR MODEL SPD-1000-60 HZ

GENERATOR SPECIFICATIONS

Manufacturer.....Stamford Electric Generators
Model & Type.....UCI274D-06, 4 Pole, 4 Lead, Single Phase
.....UCI274D-311, 4 Pole, 12 Lead re-connectable, Three Phase
.....UCI274D-17, 4 Pole, 6 Lead, 600V, Three Phase
Exciter.....Brushless, shunt excited
Voltage Regulator.....Solid State, HZ/Volts
Voltage Regulation.....½%, No load to full load
Frequency.....60 HZ
Frequency Regulation.....± ½% (1/2 cycle, no load to full load)
Unbalanced Load Capability.....100% of standby amps
Total Stator and Load Insulation.....Class H, 180°C
Temperature Rise.....120°C R/R, standby rating @ 40°C amb.
1 Ø Motor Starting @ 30% Voltage Dip (240V).....360 kVA
3 Ø Motor Starting @ 30% Voltage Dip (208-240V).....400 kVA
3 Ø Motor Starting @ 30% Voltage Dip (480V).....520 kVA
3 Ø Motor Starting @ 30% Voltage Dip (600V).....445 kVA
Bearing.....1, Pre-lubed and sealed
Coupling.....Direct flexible disc.
Total Harmonic Distortion.....Max 3½% (MIL-STD705B)
Telephone Interference Factor.....Max 50 (NEMA MG1-22)
Deviation Factor.....Max 5% (MIL-STD 405B)
Ltd. Warranty Period.....24 Months from date of start-up or
.....1000 hours use, first to occur.

GENERATOR FEATURES

- World Renown Stamford Electric Generator having UL-1446 certification.
- Full generator protection with **Deep Sea 7420** controller, having UL-508 certification.
- Automatic voltage regulator with over-excitation, under-frequency compensation, under-speed protection, and EMI filtering. Entire solid-state board is encapsulated for moisture protection.
- Generator power ratings are based on temperature rise, measured by resistance method, as defined in MIL-STD 705C and IEEE STD 115, Method 6.4.4.
- Power ratings will not exceed temperature rise limitation for class H insulation as per NEMA MG1-22.40.
- Insulation resistance to ground, exceeds 1.5 meg-ohm.
- Stator receives 2000 V. hi-potential test on main windings, and rotor windings receive a 1500 V. hi-potential test, as per MIL-STD 705B.
- Full amortisseur windings with UL-1446 certification.
- Complete engine-generator torsional acceptance, confirmed during initial prototype testing.
- Full load testing on all engine-generator sets, before shipping.
- Self ventilating and drip-proof & revolving field design

ENGINE SPECIFICATIONS AND APPLICATIONS DATA

ENGINE

Manufacturer.....Perkins
Model and Type.....1104D-E44TAG2, 4 cycle, liquid Cooled
Aspiration.....Turbocharged/CAC
Charged Air Cooling System.....Air to Air
Cylinder Arrangement.....4 Cylinders, In-Line
Displacement Cu. In. (Liters).....269 (4.4)
Bore & Stroke In. (Cm.).....4.13 x 5.0 (10.5 x 12.7)
Compression Ratio.....16.7:1
Main Bearings & Style.....Tin-Aluminum, Babbitt
Cylinder Head.....Cast Iron
Pistons.....4, Aluminum Alloy
Crankshaft.....Forged Chrome Steel
Exhaust Valve.....Forged Heat Resistant Steel
Governor.....Electronic, Isochronous
Frequency Regulation.....± 1/4 %
Air Cleaner.....Dry, Replaceable Cartridge
Engine Speed.....1800 rpm
Oil Filter.....1, Replaceable Spin-On
Max Power, bhp (kwm) Standby.....161 (120)
BMEP: psi (kpa) Standby.....264 (1820)
Ltd. Warranty Period.....24 months or 2000 hrs, first to occur

FUEL SYSTEM

Type.....Diesel Fuel Oil (ASTM No. 2-D)
Combustion System.....Direct Injection
Fuel Injection Pump.....Common Rail
Fuel Filter and Water Separator.....Yes

FUEL CONSUMPTION

GAL/HR (LITER/HR)	STANDBY
100% LOAD	7.56 (28.6)
75% LOAD	6.21 (23.5)
50% LOAD	4.54 (17.2)

OIL SYSTEM

Type.....Full Pressure
Oil Pan Capacity qt. (L).....7.3 (6.9)
Oil Pan Cap. W/ filter qt. (L).....8.9 (8.4)
Oil Filter.....1, Replaceable Spin-On

ELECTRICAL SYSTEM

Ignition System.....Electronic
Eng. Alternator: 12 VDC, negative ground, 65 amp/hr.

Recommended Battery to -18°C (0°F):... 12 VDC, Size BCI# 27, Max Dimensions:12" lg X 6 3/4" wi X 9" hi, with standard round posts. Min output at 700 CCA. Battery tray (max. dim. at 12"lg x 7"wi), hold down straps, battery cables, and battery charger, is furnished. Installation of (1) starting battery is required, with possible higher AMP/HR rating, as described above, if normal environment averages -13°F (-25°C) or cooler.

CERTIFICATIONS

All engines are CARB and EPA emissions certified. All stationary diesel engines are Tier III compliant.

APPLICATION AND ENGINEERING DATA FOR MODEL SPD-1000-60 HZ

COOLING SYSTEM

Type of System	Air to Air, Charged air cooler
Coolant Pump	Pre-lubricated, self-sealing
Cooling Fan Type (no. of blades)	Pusher (7)
Fan Diameter inches (cm).....	22" (55.9)
Ambient Capacity of Radiator °F (°C).....	122 (50.0)
Engine Jacket Coolant Capacity Qt. (L)	7.4 (7.0)
Radiator Coolant Capacity Qt. (L).....	10.5 (10.0)
Water Pump Capacity gpm (L/min).....	44.9 (170)
Heat Reject Coolant: Btu/min (kw)	3137 (54.9)
Air to Air Heat Reject Btu/min (kw)	1034 (18.1)
Low Radiator Coolant Level Shutdown.....	Standard
Note: Coolant temp. shut-down switch setting at 220°F (104°C) with 50/50 (water/antifreeze) mix.	

COOLING AIR REQUIREMENTS

Combustion Air cfm (m ³ /min)	312 (8.82)
Max. Air Intake Restriction:	
Clean Air Cleaner, H ₂ O (KPA).....	12 (3.0)
Max. Allowance Temp. Rise Amb:	
Air to Engine Inlet °F (°C).....	15 (8)
Max. Temp. out of Charged Air Cooler:	
@77° F (25°C) Amb. Air, °F (°C).....	140 (60)
Radiator Cooling Air, SCFM (m ³ /min).....	7703 (218)

EXHAUST SYSTEM

Exhaust Outlet Size	3"
Max. Back Pressure in H ₂ O (kpa)	60 (15.0)
Exhaust Flow, at rated KW, cfm (m ³ /min)	714 (20.2)
Exhaust Temp., at rated KW, °F (°C).....	1218 (659)

SOUND LEVELS MEASURED IN dB(A)

	Open Set	Level 2 Encl.
Level 2, Critical Silencer	81.....	75
Level 3, Hospital Silencer.....		70

Note: Open sets (no enclosure) have silencer system choices due to unknown job-site applications. Level 2 enclosure has installed critical silencer with upgrade to Level 3 hospital silencer. Sound tests are averaged from several test points and taken at 23 ft. (7 m) from source of noise at normal operation.

DERATE GENERATOR FOR ALTITUDE

3% per 1000 ft. (305m) above 3000 ft. (914m) from sea level

DERATE GENERATOR FOR TEMPERATURE

2% per 10°F (5.6°C) above 104°F (40°C)

DIMENSIONS AND WEIGHTS

	Open Set	Level 2 Enclosure
Length in (cm).....	98 (249)	122 (310)
Width in (cm).....	48 (122)	48 (122)
Height in (cm).....	50 (127)	71 (181)
1 Ø Net Weight lbs (kg).....	2463 (1117) ...	3283 (1489)
1 Ø Ship Weight lbs (kg)	2653 (1203) ...	3533 (1603)
3 Ø Net Weight lbs (kg).....	2330 (1057) ...	3150 (1429)
3 Ø Ship Weight lbs (kg)	2520 (1143) ...	3400 (1542)

DEEP SEA 7420MKII DIGITAL MICROPROCESSOR CONTROLLER

Deep Sea 7420MKII



The "7420MKII" controller is an auto start mains (utility) failure module for single gen-set applications. This controller includes a backlit LCD display which continuously displays the status of the engine and generator at all times.

The "7420MKII" controller will also monitor speed, frequency, voltage, current, oil pressure, coolant temp., and fuel levels. These modules have been designed to display warning and shut down status. It also includes: (11) configurable inputs • (8) configurable outputs • voltage monitoring • mains (utility) failure detection • (250) event logs • configurable timers • automatic shutdown or warning during fault detection • remote start (on load) • engine preheat • advanced metering capability • hour meter • text LCD 132 x 64 pixel ratio display • protected solid state outputs • test buttons for: stop/reset • manual mode • auto mode • lamp test • start button • power monitoring (kWh, kVAr, kVAh, kVArh) • IP65 rating (with supplied gasket)

This controller includes expansion features including RS232, RS484 (using MODBUS-RTU/TCP), direct USB connection with PC, expansion optioned using DSENet for remote annunciation and remote relay interfacing for a distance of up to 3300FT. The controller software is freely downloadable from the Deep Sea website and allows monitoring with direct USB cable, LAN, or by internet via the built in web interface.

Advanced Features:

PLC editor allow user configurable functions to meet specific application requirements • Data logging to assist with fault finding with 20 parameter data logging and recording on USB drives • Multiple date and time scheduler • Set maintenance periods can be configured to maintain optimum engine performance • Modules can be integrated into building management systems (BMS) using MODBUS • Configurable MODBUS pages with RTU & TCP support • Fully configurable via DSE Configuration Suite PC software • Remote SCADA monitoring via DSE Configuration Suite PC software • Engine exerciser • Automatic load transfer • Multiple configurations

STANDARD FEATURES FOR MODEL SPD-1000-60 HZ

STANDARD FEATURES

ENGINE: CONTROL PANEL:

- Deep Sea 7420 digital microprocessor with logic allows programming in the field. Controller has:
- STOP-MANUAL-AUTO modes and automatic engine shutdowns, signaled by full text LCD indicators:
 - Low oil pressure
 - High engine temp
 - Low Radiator Level
 - Three auxiliary alarms
 - Battery fail alarm
 - Engine fail to start
 - Engine over speed
 - Engine under speed
 - Over & under voltage
- Also included is tamper-proof engine hour meter

ENGINE:

- Full flow oil filter • Air filter • Oil pump • Solenoid type starter motor • Hi-temp radiator • Jacket water pump
- Thermostat • Pusher fan and guard • Exhaust manifold
 - 12 VDC battery charging alternator • Flexible exhaust connector • "Isochronous" duty, electronic governor • Vibration isolators • Closed coolant recovery system with 50/50 water to anti-freeze mixture • flexible oil & radiator drain hose.

AC GENERATOR SYSTEM:

- AC generator • Shunt excited • Brushless design • Circuit Breaker installed and wired to gen-set • Direct connection to engine with flex disc • Class H, 180°C insulation • Self ventilated • Drip proof construction • UL Certified

VOLTAGE REGULATOR:

- ½% Voltage regulation • EMI filter • Under-speed protection • Over-excitation protection • total encapsulation

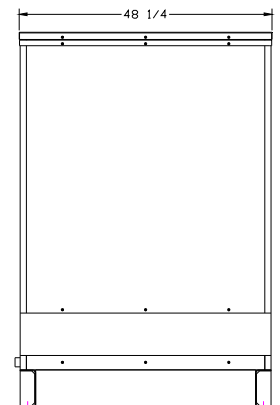
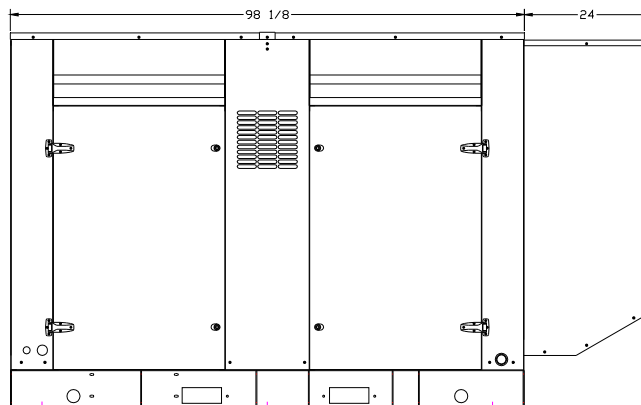
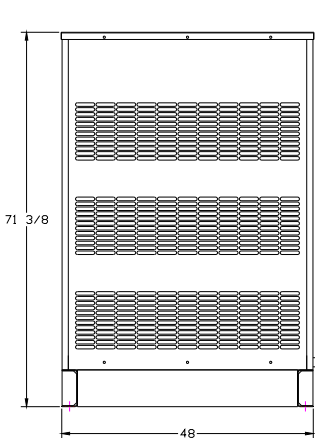
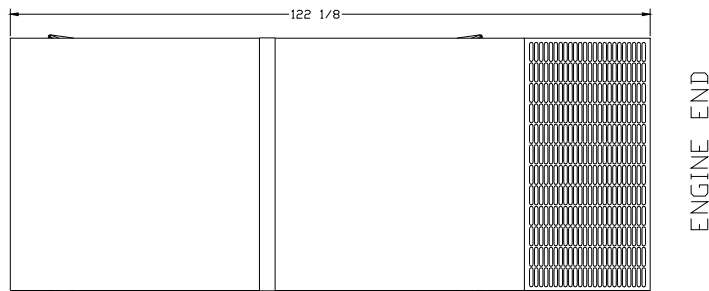
DC ELECTRICAL SYSTEM:

- Battery tray • Battery cables • Battery hold down straps
- 2-stage battery float charger with maintaining & recharging automatic charge stages

WEATHER/SOUND PROOF ALUMINUM HOUSING CORROSION RESISTANT PROTECTION CONSISTING OF:

- 9 Heated And Agitated Wash Stages
- Zinc Phosphate Etching-coating Stage
- Final Baked On Enamel Powder Coat
- 18/8 Stainless Steel Hardware

Design & specifications subject to change without prior notice. Dimensions shown are approximate. Contact Gillette for certified drawings.
DO NOT USE DIMENSIONS FOR INSTALLATION PURPOSES.



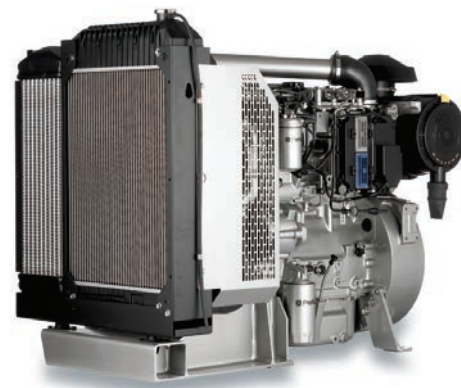
1100 Series 1104D-E44TAG2 Diesel Engine – ElectropaK

100 kWm (134.1 hp) net prime power @ 1800 rpm
111 kWm (148.8 hp) net standby power @ 1800 rpm

The Perkins® 1104D-E44TAG ElectropaKs are the latest addition to 1100 Series Electric Power line-up. Offering improved power density from a compact package, these ElectropaKs build on Perkins reputation within the Power Generation Industry.

These ultra clean engines are assembled on a new high technology production line. Frequent computerised checks during the production process ensure high build quality is maintained throughout.

Hitting the key power nodes required by the market, the 1104D ElectropaK product line-up consists of three models offering a power solution for both prime and standby applications, in 60 Hz territories.



Emissions

Certified against the requirements of U.S. EPA Tier 3 legislation for non-road mobile machinery, powered by constant speed engines (EPA 40 CFR Part 89 Tier 3).

Specification		
Number of cylinders	4 in-line	
Bore and stroke	105 x 127 mm	4.1 x 5.0 in
Displacement	4.41 litres	269 in ³
Aspiration	Turbocharged air-to-air chargecooled	
Cycle	4 stroke	
Combustion system	Direct injection	
Compression ratio	16.2:1	
Rotation	Anti-clockwise, viewed on flywheel	
Total lubricating capacity	8 litres	2.1 US gal
Cooling system	Water-cooled	
Total coolant capacity	17 litres	4.5 US gal

www.perkins.com

Photographs are for illustrative purposes only and may not reflect final specification.
All information in this document is substantially correct at time of printing and may be altered subsequently.
Final weight and dimensions will depend on completed specification.

Publication No. PN1894B/04/15 Produced in England ©2015 Perkins Engines Company Limited

 **Perkins®**

THE HEART OF EVERY GREAT MACHINE

1100 Series 1104D-E44TAG2 Diesel Engine – ElectropaK

100 kWm (134.1 hp) net prime power @ 1800 rpm

111 kWm (148.8 hp) net standby power @ 1800 rpm

Features and benefits

Power to meet your needs

- Hitting the key power nodes required by the market, the 1104D-E44TAG2 ElectropaK has been developed to provide a clean and cost effective power solution

State of the art design

- The 1104D utilises the latest common-rail fuel system technologies with a closely optimised air-management system, which is overseen by the latest generation of electronic engine control. This allows the 1104D range to deliver high power density and excellent fuel economy with low exhaust emissions and minimum heat rejection

Worldwide power solution

- The 1104D has been designed to be worldwide fuel tolerant, and 5% biofuel (RME) options are available to meet local market needs

Lower operating costs

- The 1104D maintains Tier 2 fuel economy, allowing customers to keep existing fuel tanks
- Service intervals are 500 hours standard
- **Warranties and Service Contracts**

We provide one-year warranties for constant speed engines and two-year warranties for variable speed models, as standard. These are supported by multilevel Extended Service Contracts that can be bought additionally.

Discover more: www.perkins.esc

- Low usage warranty package is also available

Product support

- Perkins actively pursues product support excellence by ensuring our distribution network invest in their territory – strengthening relationships and providing more value to you, our customer
- Through an experienced global network of distributors and dealers, fully trained engine experts deliver total service support around the clock, 365 days a year. They have a comprehensive suite of web based tools at their fingertips covering technical information, parts identification and ordering systems, all dedicated to maximising the productivity of your engine
- Throughout the entire life of a Perkins engine, we provide access to genuine OE specification parts and service. We give 100% reassurance that you receive the very best in terms of quality for lowest possible cost .. wherever your Perkins powered machine is operating in the world
- To find your local distributor: www.perkins.com/distributor

www.perkins.com

Photographs are for illustrative purposes only and may not reflect final specification.
All information in this document is substantially correct at time of printing and may be altered subsequently.
Final weight and dimensions will depend on completed specification.

Publication No. PN1894B/04/15 Produced in England ©2015 Perkins Engines Company Limited

 **Perkins**[®]

THE HEART OF EVERY GREAT MACHINE

1100 Series 1104D-E44TAG2 Diesel Engine – Electropak

100 kWm (134.1 hp) net prime power @ 1800 rpm

111 kWm (148.8 hp) net standby power @ 1800 rpm

Technical information

Air inlet

- Mounted air filter and turbocharger

Cooling system

- 22 inch belt-driven pusher fan and guards
- Radiator (incorporating air-to-air charge cooler)
- Water pump

Electric system

- 12 volt starter motor
- 12 volt, 65 amp alternator with DC output

Flywheel and housing

- High inertia flywheel to SAE J620 Size 10/11½
- SAE3 flywheel housing

Fuel system

- Electronic governing (conforms to Class G3 ISO 8528-5)
- Fuel filter

Literature

- Users Handbook

Lubrication system

- Wet cast iron sump with filler and dipstick
- Oil filter

Start aids

- Glow plugs

www.perkins.com

Photographs are for illustrative purposes only and may not reflect final specification.
All information in this document is substantially correct at time of printing and may be altered subsequently.
Final weight and dimensions will depend on completed specification.

Publication No. PN1894B/04/15 Produced in England ©2015 Perkins Engines Company Limited

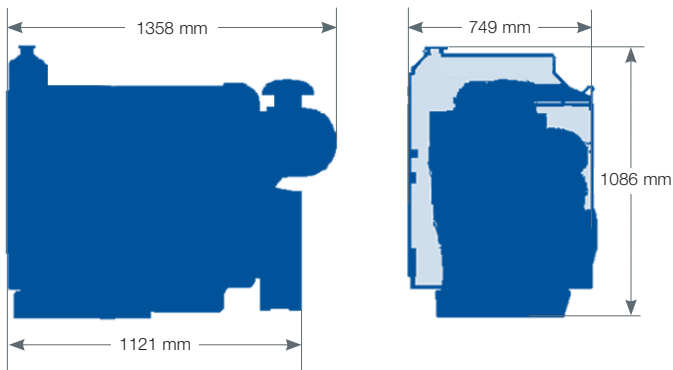
 **Perkins**[®]

THE HEART OF EVERY GREAT MACHINE

1100 Series 1104D-E44TAG2 Diesel Engine – Electropak

100 kWm (134.1 hp) net prime power @ 1800 rpm

111 kWm (148.8 hp) net standby power @ 1800 rpm



Engine package weights and dimensions

Engine package weights and dimensions		
Length	1358 mm	53.5 in
Width	749 mm	29.5 in
Height	1086 mm	42.7 in
Weight (dry)	465 kg	1025 lb

www.perkins.com

Photographs are for illustrative purposes only and may not reflect final specification.
All information in this document is substantially correct at time of printing and may be altered subsequently.
Final weight and dimensions will depend on completed specification.

Publication No. PN1894B/04/15 Produced in England ©2015 Perkins Engines Company Limited

 **Perkins**[®]

THE HEART OF EVERY GREAT MACHINE

1100 Series 1104D-E44TAG2 Diesel Engine – ElectropaK

100 kWm (134.1 hp) net prime power @ 1800 rpm

111 kWm (148.8 hp) net standby power @ 1800 rpm

Speed rpm	Type of operation	Typical generator output (Net)		Engine power			
				Gross		Net	
		kVA	kWe	kWm	hp	kWm	hp
1800	Prime power	113	90	106	142.1	100	134.1
	Standby (maximum)	125	100	117	156.8	111	148.8

The above ratings represent the engine performance capabilities to conditions specified in ISO 8528/5. Derating may be required for conditions outside the test conditions; consult Perkins Engines Company Limited.

Generator powers are typical and are based on typical alternator efficiencies and a power factor. **Fuel specification:** Consult Perkins Engines Company Limited (various fuel specifications are available). **Lubricating oil:** multi-grade oil conforming to API-CH4/CI4 must be used.

Rating definitions

Prime power: Power available at variable load in lieu of a main power network. Overload of 10% is permitted for 1 hour in every 12 hours' operation.

Standby (maximum): Power available at variable load in the event of a main power network failure. No overload is permitted.

Percent of prime power	Fuel consumption at 1800 rpm g/kWh	Fuel consumption at 1800 rpm l/hr
110%	214.7	30.0
100%	216.3	27.7
75%	231.5	22.0
50%	253.1	16.0

www.perkins.com

Photographs are for illustrative purposes only and may not reflect final specification. All information in this document is substantially correct at time of printing and may be altered subsequently. Final weight and dimensions will depend on completed specification.

Publication No. PN1894B/04/15 Produced in England ©2015 Perkins Engines Company Limited

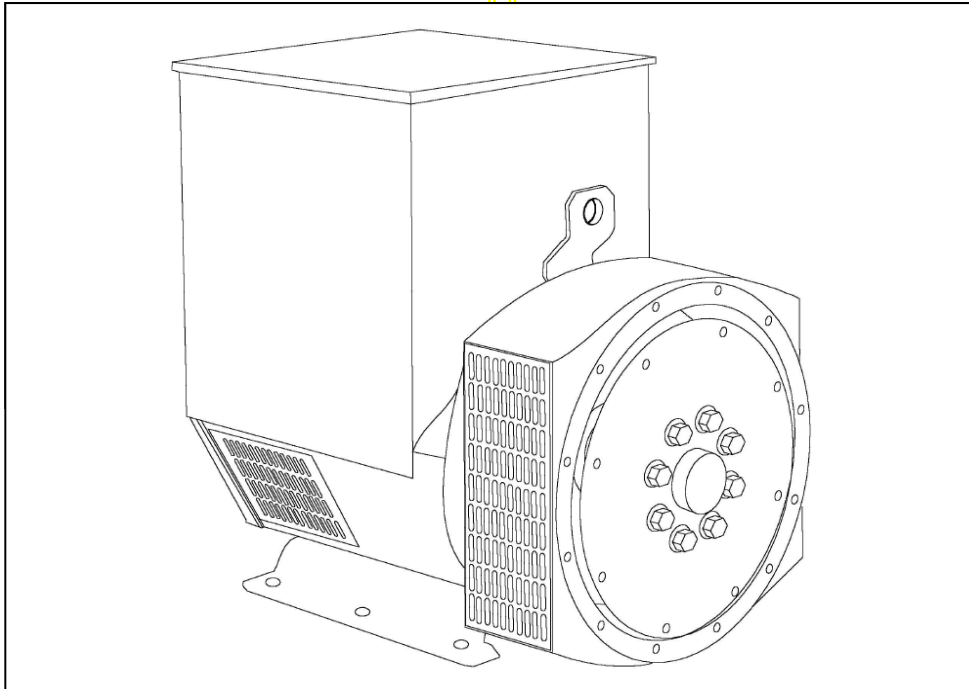


THE HEART OF EVERY GREAT MACHINE

STAMFORD®

UCI274D - Winding 06

Technical Data Sheet



SPECIFICATIONS & OPTIONS

STANDARDS

Stamford industrial generators meet the requirements of BS EN 60034 and the relevant section of other international standards such as BS5000, VDE 0530, NEMA MG1-32, IEC34, CSA C22.2-100, AS1359. Other standards and certifications can be considered on request.

VOLTAGE REGULATORS**SX460 AVR - STANDARD**

With this self excited control system the main stator supplies power via the Automatic Voltage Regulator (AVR) to the exciter stator. The high efficiency semiconductors of the AVR ensure positive build-up from initial low levels of residual voltage.

The exciter rotor output is fed to the main rotor through a three phase full wave bridge rectifier. This rectifier is protected by a surge suppressor against surges caused, for example, by short circuit.

AS440 AVR

With this self-excited system the main stator provides power via the AVR to the exciter stator. The high efficiency semi-conductors of the AVR ensure positive build-up from initial low levels of residual voltage.

The exciter rotor output is fed to the main rotor through a three-phase full-wave bridge rectifier. The rectifier is protected by a surge suppressor against surges caused, for example, by short circuit or out-of-phase paralleling.

The AS440 will support a range of electronic accessories, including a 'droop' Current Transformer (CT) to permit parallel operation with other ac generators.

MX341 AVR

This sophisticated AVR is incorporated into the Stamford Permanent Magnet Generator (PMG) control system.

The PMG provides power via the AVR to the main exciter, giving a source of constant excitation power independent of generator output. The main exciter output is then fed to the main rotor, through a full wave bridge, protected by a surge suppressor. The AVR has in-built protection against sustained over-excitation, caused by internal or external faults. This de-excites the machine after a minimum of 5 seconds.

An engine relief load acceptance feature can enable full load to be applied to the generator in a single step.

MX321 AVR

The most sophisticated of all our AVRs combines all the features of the MX341 with, additionally over voltage protection built-in and short circuit current level adjustments as an optional facility.

WINDINGS & ELECTRICAL PERFORMANCE

All generator stators are wound to 2/3 pitch. This eliminates triplen (3rd, 9th, 15th ...) harmonics on the voltage waveform and is found to be the optimum design for trouble-free supply of non-linear loads. The 2/3 pitch design avoids excessive neutral currents sometimes seen with higher winding pitches, when in parallel with the mains. A fully connected damper winding reduces oscillations during paralleling. This winding, with the 2/3 pitch and carefully selected pole and tooth designs, ensures very low waveform distortion.

TERMINALS & TERMINAL BOX

Dedicated Single Phase windings have 4 ends brought out to the terminals, which are mounted on a cover at the non-drive end of the generator. A sheet steel terminal box contains the AVR and provides ample space for the customers' wiring and gland arrangements. It has removable panels for easy access.

SHAFT & KEYS

All generator rotors are dynamically balanced to better than BS6861:Part 1 Grade 2.5 for minimum vibration in operation. Two bearing generators are balanced with a half key.

INSULATION/IMPREGNATION

The insulation system is class 'H'.

All wound components are impregnated with materials and processes designed specifically to provide the high build required for static windings and the high mechanical strength required for rotating components.

QUALITY ASSURANCE

Generators are manufactured using production procedures having a quality assurance level to BS EN ISO 9001.

The stated voltage regulation may not be maintained in the presence of certain radio transmitted signals. Any change in performance will fall within the limits of Criteria 'B' of EN 61000-6-2:2001. At no time will the steady-state voltage regulation exceed 2%.

DE RATES

All values tabulated on page 8 are subject to the following reductions

5% when air inlet filters are fitted.

3% for every 500 metres by which the operating altitude exceeds 1000 metres above mean sea level.

3% for every 5 C by which the operational ambient temperature exceeds 40 C.

Note: Requirement for operating in an ambient exceeding 60 C must be referred to the factory.

NB Continuous development of our products entitles us to change specification details without notice, therefore they must not be regarded as binding.

Front cover drawing typical of product range.

WINDING 06

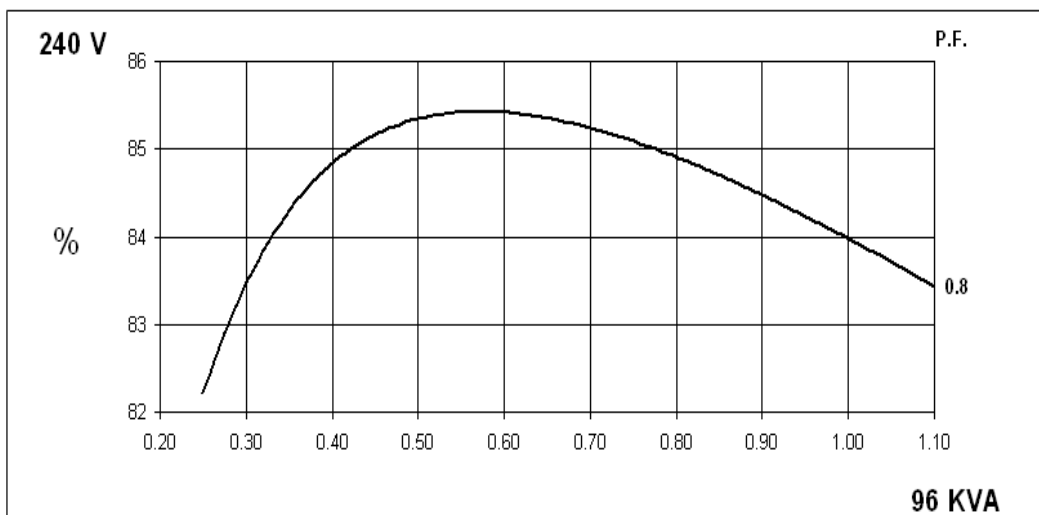
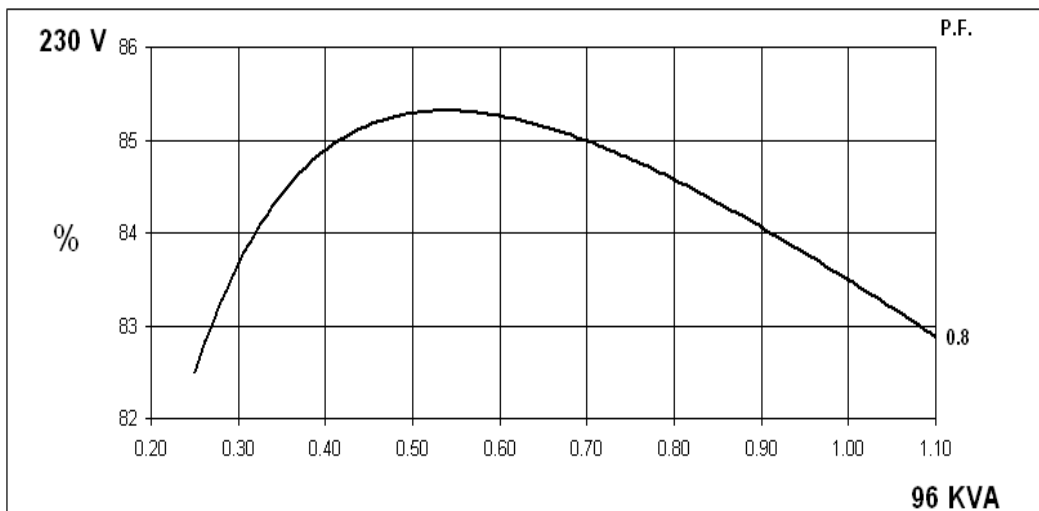
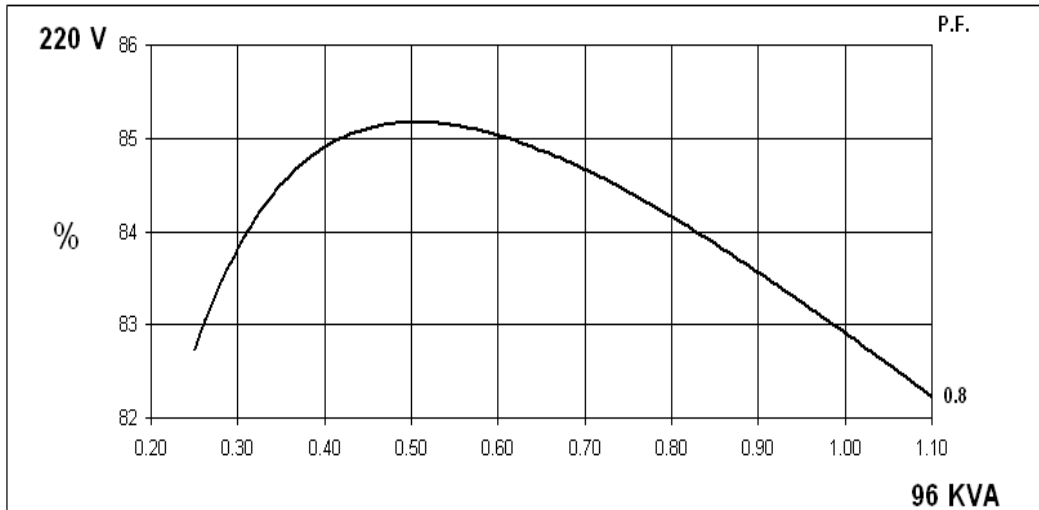
CONTROL SYSTEM	SEPARATELY EXCITED BY P.M.G.					
A.V.R.	MX341	MX321				
VOLTAGE REGULATION	± 1%	± 0.5 %	With 4% ENGINE GOVERNING			
SUSTAINED SHORT CIRCUIT	REFER TO SHORT CIRCUIT DECREMENT CURVES (page 7)					
CONTROL SYSTEM	SELF EXCITED					
A.V.R.	SX460	AS440				
VOLTAGE REGULATION	± 1.0 %	± 1.0 %	With 4% ENGINE GOVERNING			
SUSTAINED SHORT CIRCUIT	SERIES 4 CONTROL DOES NOT SUSTAIN A SHORT CIRCUIT CURRENT					
INSULATION SYSTEM	CLASS H					
PROTECTION	IP23					
RATED POWER FACTOR	0.8					
STATOR WINDING	SINGLE LAYER CONCENTRIC					
WINDING PITCH	TWO THIRDS					
WINDING LEADS	4					
MAIN STATOR RESISTANCE	0.0137 Ohms AT 22°C SERIES CONNECTED					
MAIN ROTOR RESISTANCE	1.26 Ohms at 22°C					
EXCITER STATOR RESISTANCE	20 Ohms at 22°C					
EXCITER ROTOR RESISTANCE	0.091 Ohms PER PHASE AT 22°C					
R.F.I. SUPPRESSION	BS EN 61000-6-2 & BS EN 61000-6-4, VDE 0875G, VDE 0875N. refer to factory for others					
WAVEFORM DISTORTION	NO LOAD < 1.5% NON-DISTORTING LINEAR LOAD < 5.0%					
MAXIMUM OVERSPEED	2250 Rev/Min					
BEARING DRIVE END	BALL. 6315-2RS (ISO)					
BEARING NON-DRIVE END	BALL. 6310-2RS (ISO)					
	1 BEARING			2 BEARING		
WEIGHT COMP. GENERATOR	431 kg			450 kg		
WEIGHT WOUND STATOR	141 kg			141 kg		
WEIGHT WOUND ROTOR	149.37 kg			138.41 kg		
WR ² INERTIA	1.1962 kgm ²			1.1455 kgm ²		
SHIPPING WEIGHTS in a crate	458 kg			476 kg		
PACKING CRATE SIZE	105 x 67 x 103(cm)			105 x 67 x 103(cm)		
TELEPHONE INTERFERENCE	THF<2%			TIF<50		
COOLING AIR	0.617 m ³ /sec 1308 cfm					
VOLTAGE SERIES	220		230		240	
VOLTAGE PARALLEL	110		115		120	
POWER FACTOR	0.8	1.0	0.8	1.0	0.8	1.0
kVA BASE RATING FOR REACTANCE VALUES	96	100	96	100	96	100
X _d DIR. AXIS SYNCHRONOUS	2.48	2.58	2.26	2.35	2.08	2.17
X' _d DIR. AXIS TRANSIENT	0.20	0.21	0.19	0.20	0.17	0.18
X'' _d DIR. AXIS SUBTRANSIENT	0.14	0.15	0.13	0.14	0.12	0.13
X _q QUAD. AXIS REACTANCE	1.46	1.52	1.34	1.40	1.23	1.28
X'' _q QUAD. AXIS SUBTRANSIENT	0.20	0.21	0.19	0.20	0.17	0.18
X _L LEAKAGE REACTANCE	0.07	0.07	0.07	0.07	0.06	0.06
X ₂ NEGATIVE SEQUENCE	0.17	0.18	0.15	0.16	0.14	0.15
X ₀ ZERO SEQUENCE	0.10	0.10	0.09	0.09	0.08	0.08
REACTANCES ARE SATURATED						
T' _d TRANSIENT TIME CONST.	0.031s					
T'' _d SUB-TRANSTIME CONST.	0.01s					
T' _{do} O.C. FIELD TIME CONST.	0.85s					
T _a ARMATURE TIME CONST.	0.0073s					
SHORT CIRCUIT RATIO	1/X _d					

UCI274D

STAMFORD

Winding 06 / 0.8pf

SINGLE PHASE EFFICIENCY CURVES

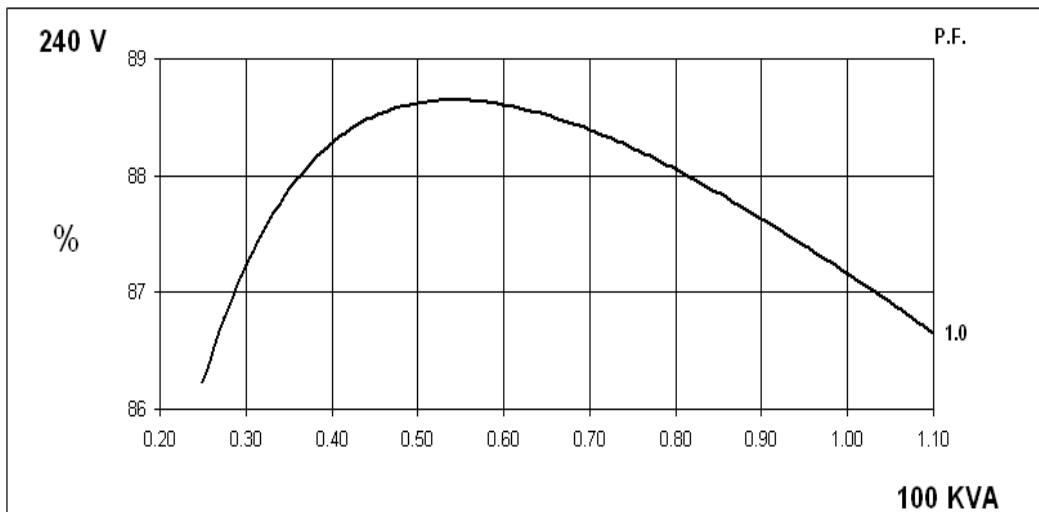
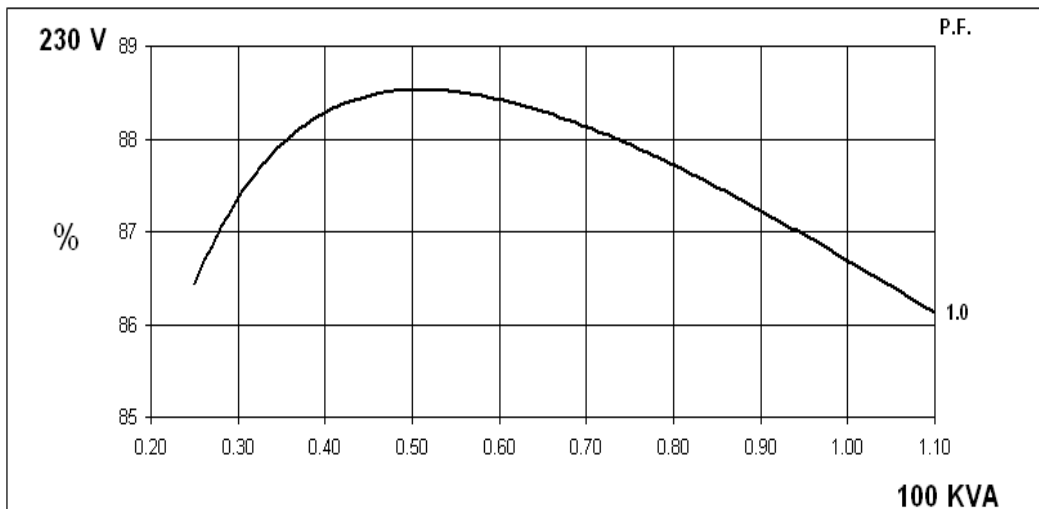
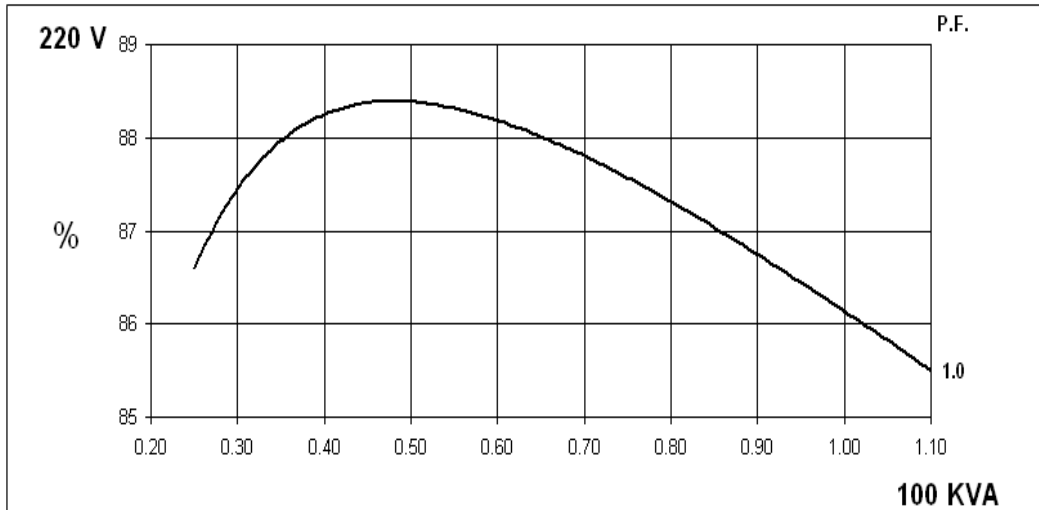


UCI274D

STAMFORD

Winding 06 / 1.0pf

SINGLE PHASE EFFICIENCY CURVES



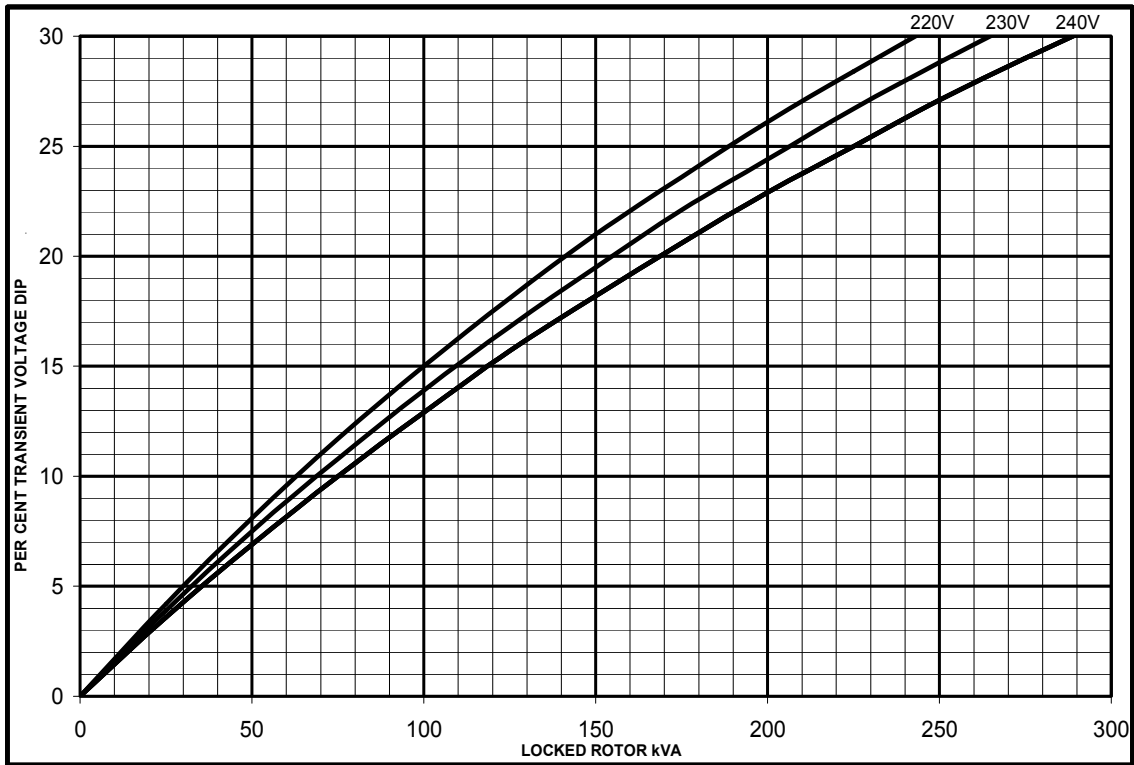
UCI274D

Winding 06

STAMFORD

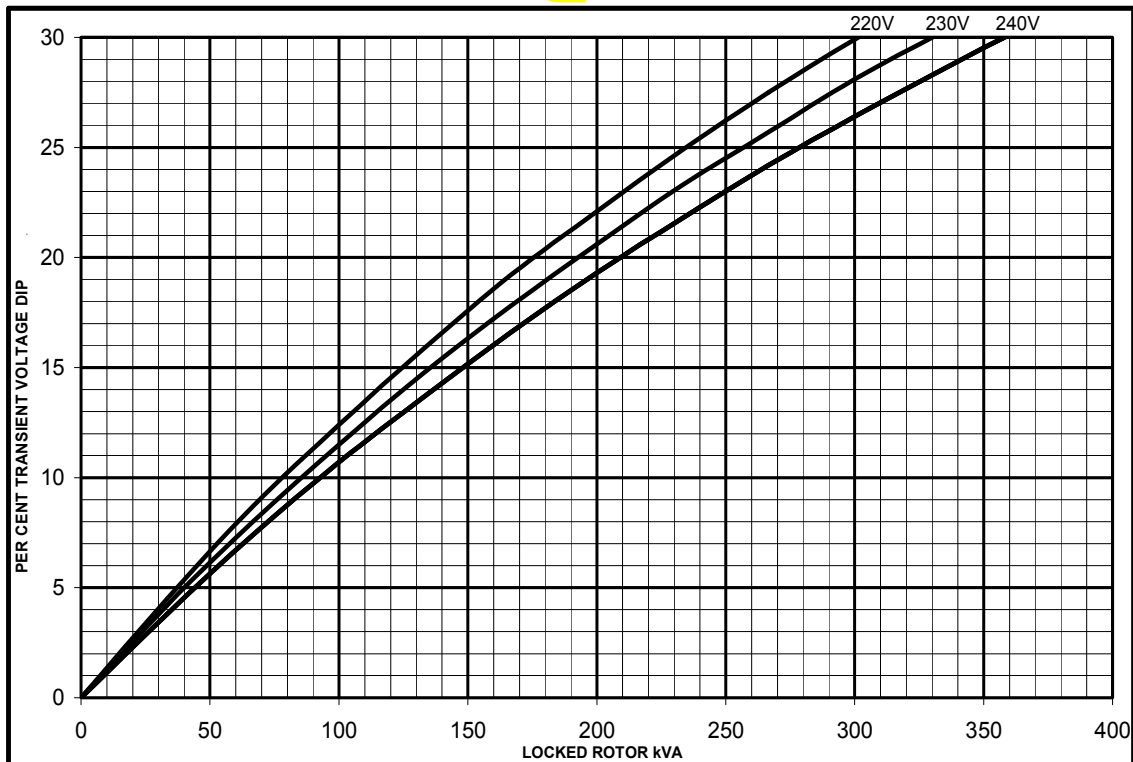
SX

Locked Rotor Motor Starting Curves



OCU

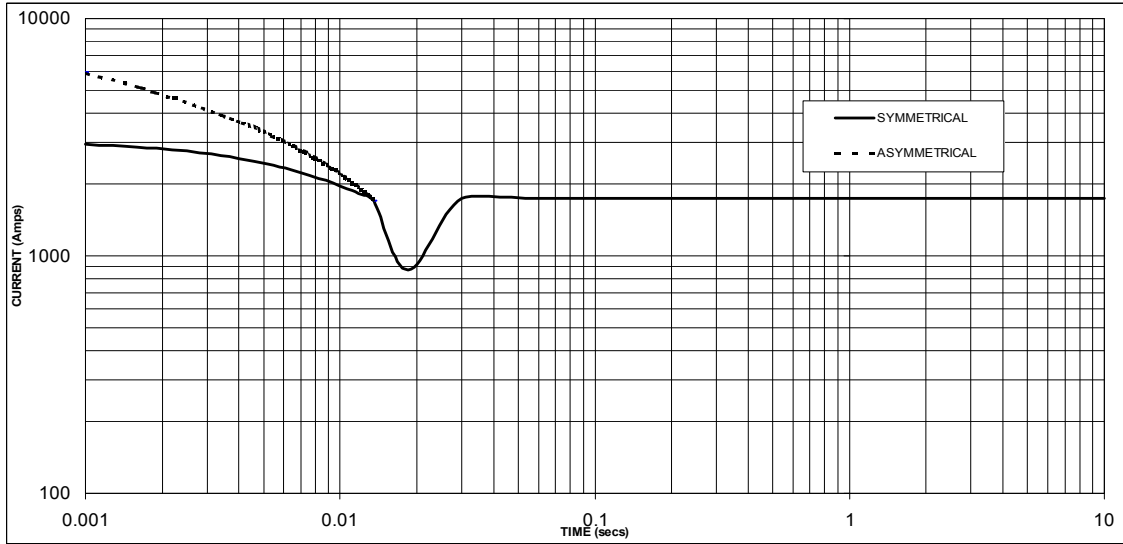
MX



UCI274D
Winding 06

STAMFORD

**Short Circuit Decrement Curve. No-load Excitation at Rated Speed
Based on series connection.**



Sustained Short Circuit = 1750 Amps

Note

The following multiplication factors should be used to adjust the values from curve between time 0.001 seconds and the minimum current point in respect of nominal operating voltage :

Voltage	Factor
220V	X 1.00
230V	X 1.05
240V	X 1.09

The sustained current value is constant irrespective of voltage level

UCI274D
Winding 06

STAMFORD

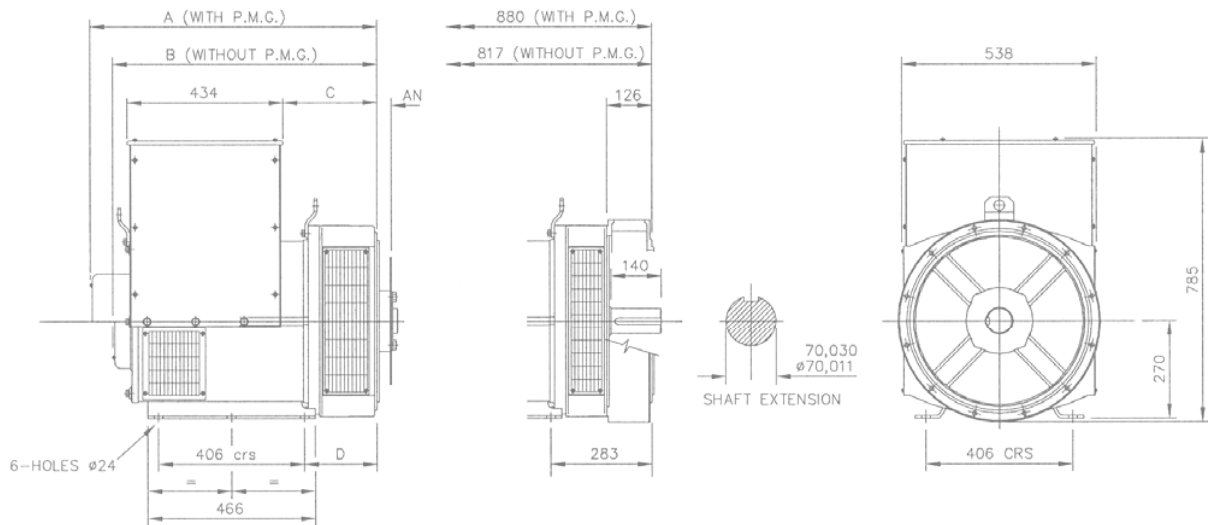
60Hz

RATINGS

Class - Temp Rise	Cont. F - 105/40°C 0.8pf			Cont. H - 125/40°C 0.8pf			Cont. F - 105/40°C 1.0pf			Cont. H - 125/40°C 1.0pf		
	Series (V)	220	230	240	220	230	240	220	230	240	220	230
Parallel (V)	110	115	120	110	115	120	110	115	120	110	115	120
kVA	87.5	87.5	87.5	96.0	96.0	96.0	87.5	87.5	87.5	100.0	100.0	100.0
kW	70.0	70.0	70.0	76.8	76.8	76.8	87.5	87.5	87.5	100.0	100.0	100.0
Efficiency (%)	83.5	84.0	84.4	82.9	83.5	84.0	86.9	87.4	87.7	86.1	86.7	87.2
kW Input	83.8	83.3	82.9	92.6	92.0	91.4	100.7	100.1	99.8	116.1	115.3	114.7

APPROXIMATE

DIMENSIONS



SINGLE BEARING ADAPTORS				
ADAPTOR	A	B	C	D
SAE 1	813,3	750,3	274,3	216,3
SAE 2	799	736	260	202
SAE 3	799	736	260	202

COUPLING DISCS	
DISC	AN
SAE 10	53,98
SAE 11,5	39,68
SAE 14	25,40

APPROVED DOCUMENT

STAMFORD

Head Office Address:
Barnack Road, Stamford
Lincolnshire, PE9 2NB
United Kingdom
Tel: +44 (0) 1780 484000
Fax: +44 (0) 1780 484100

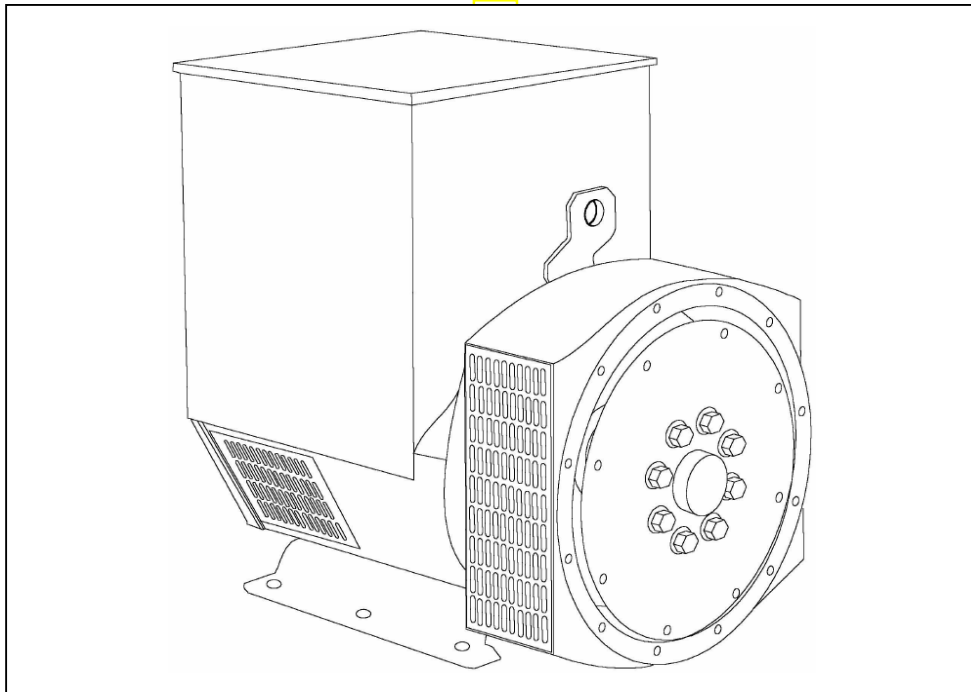
www.cumminsgeneratortechnologies.com

Copyright 2010, Cummins Generator Technologies Ltd, All Rights Reserved
Stamford and AvK are registered trade marks of Cummins Generator Technologies Ltd
Cummins and the Cummins logo are registered trade marks of Cummins Inc.

STAMFORD®

UCI274D - Winding 311

Technical  Data Sheet



SPECIFICATIONS & OPTIONS

STANDARDS

Stamford industrial generators meet the requirements of BS EN 60034 and the relevant section of other international standards such as BS5000, VDE 0530, NEMA MG1-32, IEC34, CSA C22.2-100, AS1359.

Other standards and certifications can be considered on request.

VOLTAGE REGULATORS**SX460 AVR - STANDARD**

With this self excited control system the main stator supplies power via the Automatic Voltage Regulator (AVR) to the exciter stator. The high efficiency semiconductors of the AVR ensure positive build-up from initial low levels of residual voltage.

The exciter rotor output is fed to the main rotor through a three phase full wave bridge rectifier. This rectifier is protected by a surge suppressor against surges caused, for example, by short circuit.

AS440 AVR

With this self-excited system the main stator provides power via the AVR to the exciter stator. The high efficiency semiconductors of the AVR ensure positive build-up from initial low levels of residual voltage.

The exciter rotor output is fed to the main rotor through a three-phase full-wave bridge rectifier. The rectifier is protected by a surge suppressor against surges caused, for example, by short circuit or out-of-phase paralleling.

The AS440 will support a range of electronic accessories, including a 'droop' Current Transformer (CT) to permit parallel operation with other ac generators.

MX341 AVR

This sophisticated AVR is incorporated into the Stamford Permanent Magnet Generator (PMG) control system.

The PMG provides power via the AVR to the main exciter, giving a source of constant excitation power independent of generator output. The main exciter output is then fed to the main rotor, through a full wave bridge, protected by a surge suppressor. The AVR has in-built protection against sustained over-excitation, caused by internal or external faults. This de-excites the machine after a minimum of 5 seconds.

An engine relief load acceptance feature can enable full load to be applied to the generator in a single step.

If three-phase sensing is required with the PMG system the MX321 AVR must be used.

We recommend three-phase sensing for applications with greatly unbalanced or highly non-linear loads.

MX321 AVR

The most sophisticated of all our AVRs combines all the features of the MX341 with, additionally, three-phase rms sensing, for improved regulation and performance.

Over voltage protection is built-in and short circuit current level adjustments is an optional facility.

WINDINGS & ELECTRICAL PERFORMANCE

All generator stators are wound to 2/3 pitch. This eliminates triplen (3rd, 9th, 15th ...) harmonics on the voltage waveform and is found to be the optimum design for trouble-free supply of non-linear loads. The 2/3 pitch design avoids excessive neutral currents sometimes seen with higher winding pitches, when in parallel with the mains. A fully connected damper winding reduces oscillations during paralleling. This winding, with the 2/3 pitch and carefully selected pole and tooth designs, ensures very low waveform distortion.

TERMINALS & TERMINAL BOX

Standard generators are 3-phase reconnectable with 12 ends brought out to the terminals, which are mounted on a cover at the non-drive end of the generator. A sheet steel terminal box contains the AVR and provides ample space for the customers' wiring and gland arrangements. It has removable panels for easy access.

SHAFT & KEYS

All generator rotors are dynamically balanced to better than BS6861:Part 1 Grade 2.5 for minimum vibration in operation.

Two bearing generators are balanced with a half key.

INSULATION/IMPREGNATION

The insulation system is class 'H'.

All wound components are impregnated with materials and processes designed specifically to provide the high build required for static windings and the high mechanical strength required for rotating components.

QUALITY ASSURANCE

Generators are manufactured using production procedures having a quality assurance level to BS EN ISO 9001.

The stated voltage regulation may not be maintained in the presence of certain radio transmitted signals. Any change in performance will fall within the limits of Criteria 'B' of EN 61000-6-2:2001. At no time will the steady-state voltage regulation exceed 2%.

DE RATES

All values tabulated on page 8 are subject to the following reductions

5% when air inlet filters are fitted.

3% for every 500 metres by which the operating altitude exceeds 1000 metres above mean sea level.

3% for every 5°C by which the operational ambient temperature exceeds 40°C.

Note: Requirement for operating in an ambient exceeding 60°C must be referred to the factory.

NB Continuous development of our products entitles us to change specification details without notice, therefore they must not be regarded as binding.

Front cover drawing typical of product range.

APPROVED DOCUMENT

WINDING 311

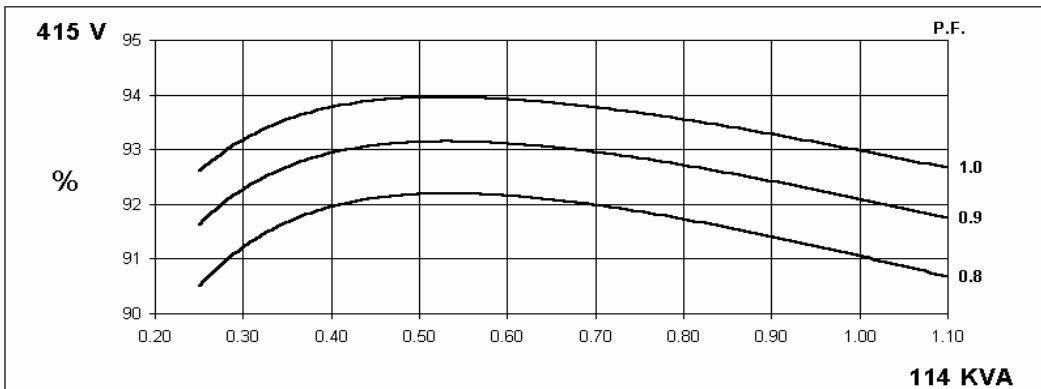
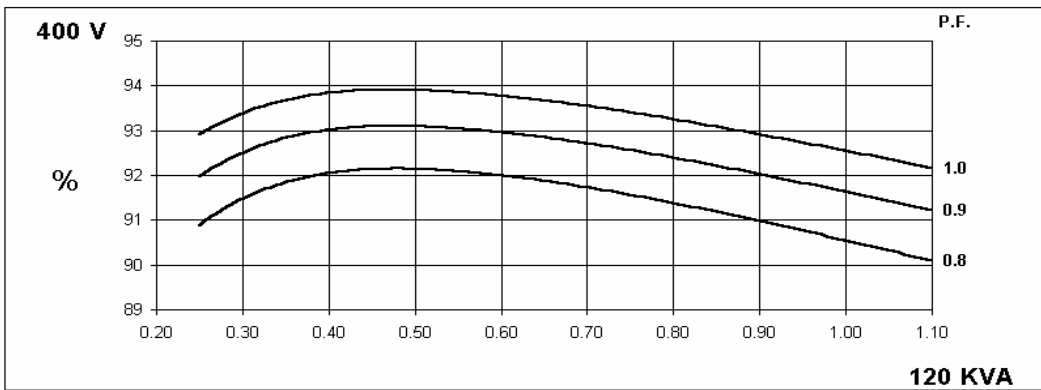
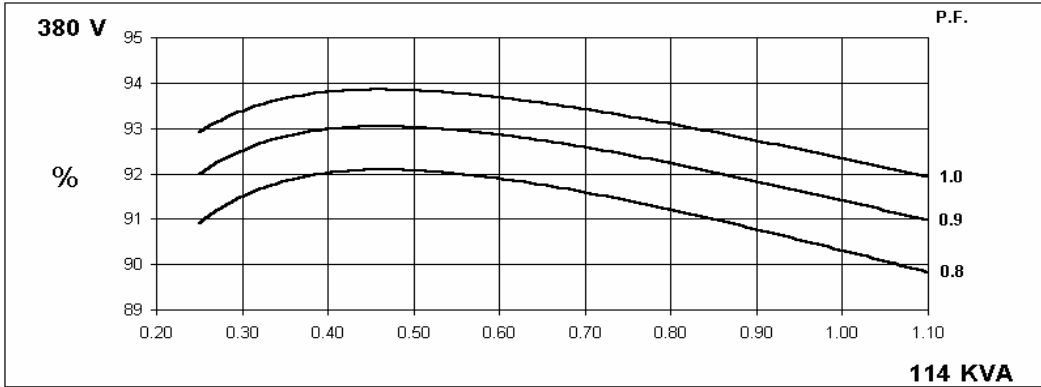
CONTROL SYSTEM	SEPARATELY EXCITED BY P.M.G.							
A.V.R.	MX321	MX341						
VOLTAGE REGULATION	± 0.5 %	± 1.0 %	With 4% ENGINE GOVERNING					
SUSTAINED SHORT CIRCUIT	REFER TO SHORT CIRCUIT DECREMENT CURVES (page 7)							
CONTROL SYSTEM	SELF EXCITED							
A.V.R.	SX460	AS440						
VOLTAGE REGULATION	± 1.0 %	± 1.0 %	With 4% ENGINE GOVERNING					
SUSTAINED SHORT CIRCUIT	SERIES 4 CONTROL DOES NOT SUSTAIN A SHORT CIRCUIT CURRENT							
INSULATION SYSTEM	CLASS H							
PROTECTION	IP23							
RATED POWER FACTOR	0.8							
STATOR WINDING	DOUBLE LAYER CONCENTRIC							
WINDING PITCH	TWO THIRDS							
WINDING LEADS	12							
STATOR WDG. RESISTANCE	0.044 Ohms PER PHASE AT 22°C SERIES STAR CONNECTED							
ROTOR WDG. RESISTANCE	1.26 Ohms at 22°C							
EXCITER STATOR RESISTANCE	20 Ohms at 22°C							
EXCITER ROTOR RESISTANCE	0.091 Ohms PER PHASE AT 22°C							
R.F.I. SUPPRESSION	BS EN 61000-6-2 & BS EN 61000-6-4,VDE 0875G, VDE 0875N. refer to factory for others							
WAVEFORM DISTORTION	NO LOAD < 1.5% NON-DISTORTING BALANCED LINEAR LOAD < 5.0%							
MAXIMUM OVERSPEED	2250 Rev/Min							
BEARING DRIVE END	BALL. 6315-2RS (ISO)							
BEARING NON-DRIVE END	BALL. 6310-2RS (ISO)							
	1 BEARING				2 BEARING			
WEIGHT COMP. GENERATOR	431 kg				450 kg			
WEIGHT WOUND STATOR	141 kg				141 kg			
WEIGHT WOUND ROTOR	149.37 kg				138.41 kg			
WR ² INERTIA	1.1962 kgm ²				1.1455 kgm ²			
SHIPPING WEIGHTS in a crate	458 kg				476 kg			
PACKING CRATE SIZE	105 x 67 x 103(cm)				105 x 67 x 103(cm)			
	50 Hz				60 Hz			
TELEPHONE INTERFERENCE	THF<2%				TIF<50			
COOLING AIR	0.514 m ³ /sec 1090 cfm				0.617 m ³ /sec 1308 cfm			
VOLTAGE SERIES STAR	380/220	400/231	415/240	440/254	416/240	440/254	460/266	480/277
VOLTAGE PARALLEL STAR	190/110	200/115	208/120	220/127	208/120	220/127	230/133	240/138
VOLTAGE SERIES DELTA	220/110	230/115	240/120	254/127	240/120	254/127	266/133	277/138
KVA BASE RATING FOR REACTANCE VALUES	114	120	114	N/A	131.3	137.5	137.5	146.3
X _d DIR. AXIS SYNCHRONOUS	2.17	2.06	1.82	-	2.52	2.36	2.16	2.11
X' _d DIR. AXIS TRANSIENT	0.18	0.18	0.16	-	0.21	0.20	0.18	0.17
X'' _d DIR. AXIS SUBTRANSIENT	0.12	0.11	0.10	-	0.15	0.14	0.13	0.12
X _q QUAD. AXIS REACTANCE	1.39	1.32	1.17	-	1.49	1.39	1.28	1.25
X'' _q QUAD. AXIS SUBTRANSIENT	0.16	0.16	0.14	-	0.21	0.20	0.18	0.17
X _L LEAKAGE REACTANCE	0.07	0.06	0.06	-	0.07	0.07	0.06	0.06
X ₂ NEGATIVE SEQUENCE	0.14	0.13	0.12	-	0.17	0.16	0.15	0.14
X ₀ ZERO SEQUENCE	0.09	0.08	0.07	-	0.10	0.09	0.09	0.08
REACTANCES ARE SATURATED				VALUES ARE PER UNIT AT RATING AND VOLTAGE INDICATED				
T' _d TRANSIENT TIME CONST.	0.031 s							
T'' _d SUB-TRANSTIME CONST.	0.01 s							
T' _{do} O.C. FIELD TIME CONST.	0.85 s							
T _a ARMATURE TIME CONST.	0.0073 s							
SHORT CIRCUIT RATIO	1/X _d							

**50
Hz**

UCI274D
Winding 311

STAMFORD

THREE PHASE EFFICIENCY CURVES

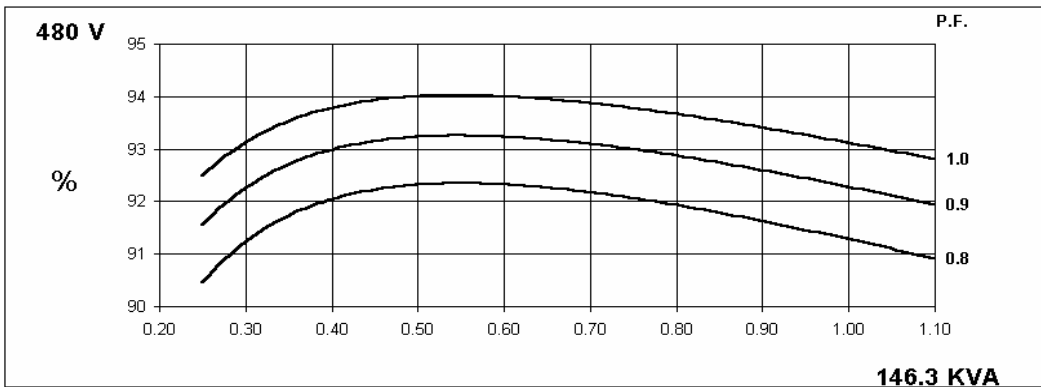
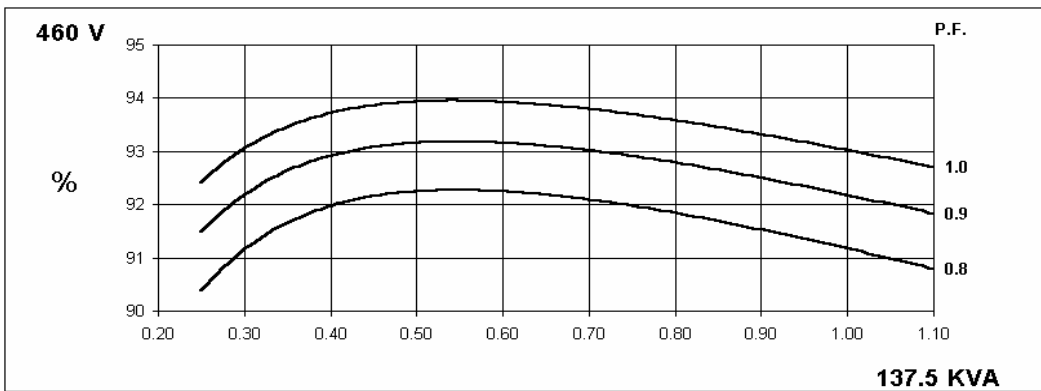
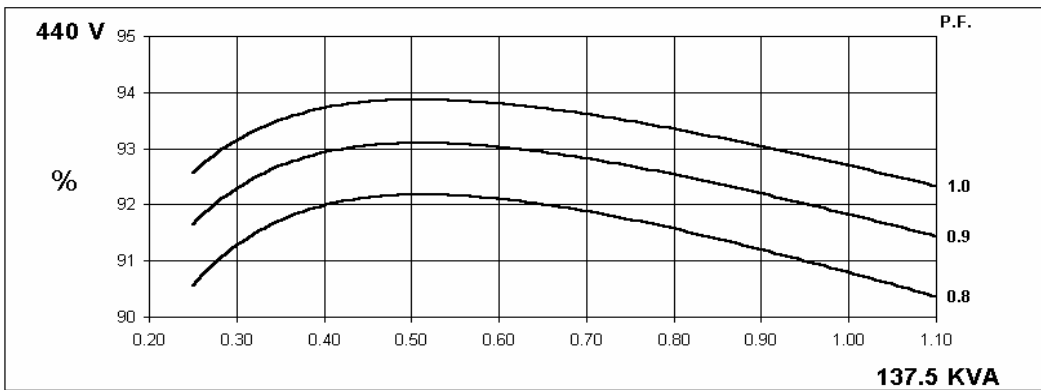
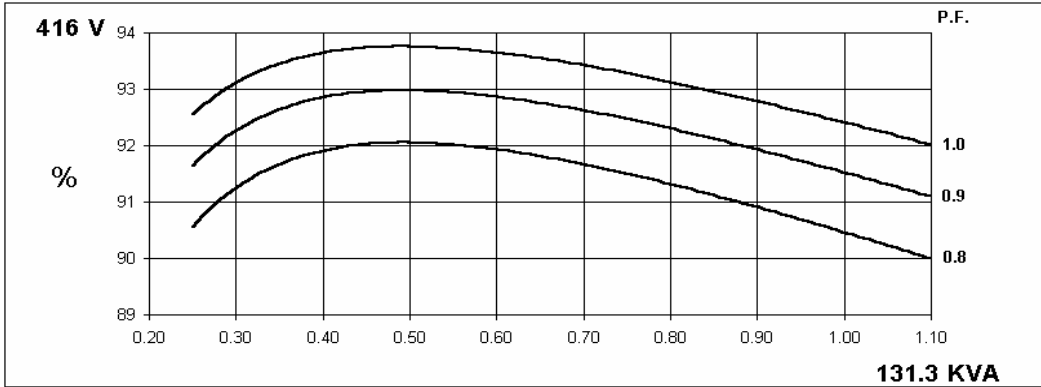


**60
Hz**

UCI274D
Winding 311

STAMFORD

THREE PHASE EFFICIENCY CURVES

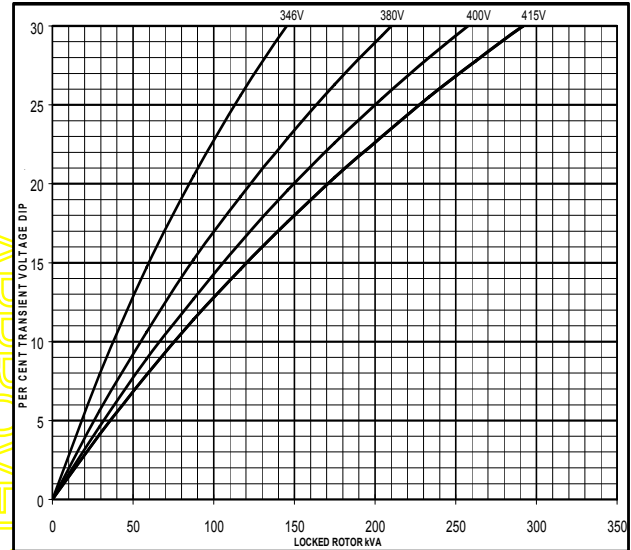
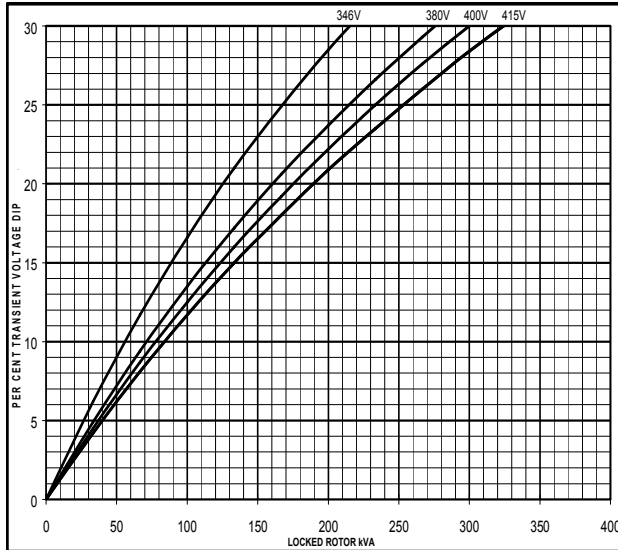


Locked Rotor Motor Starting Curve

**50
Hz**

MX

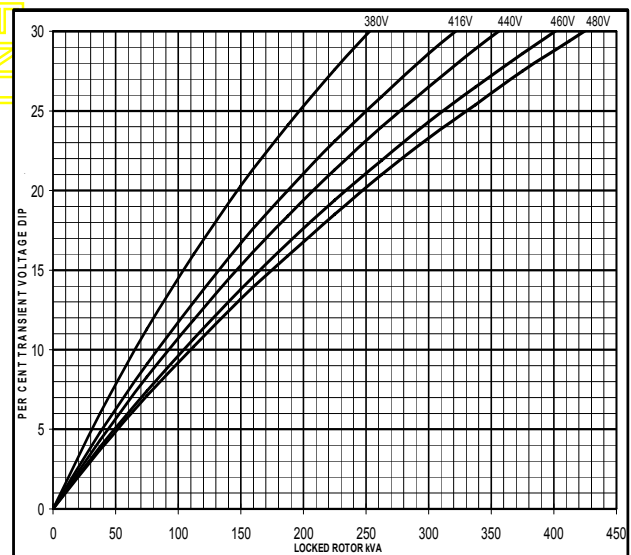
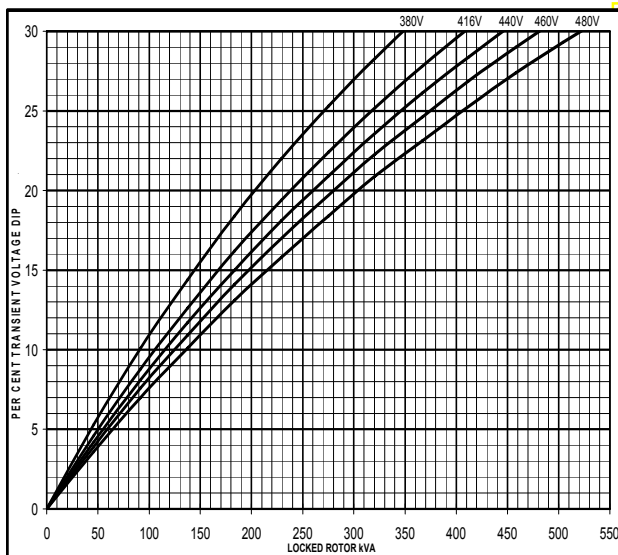
SX



**60
Hz**

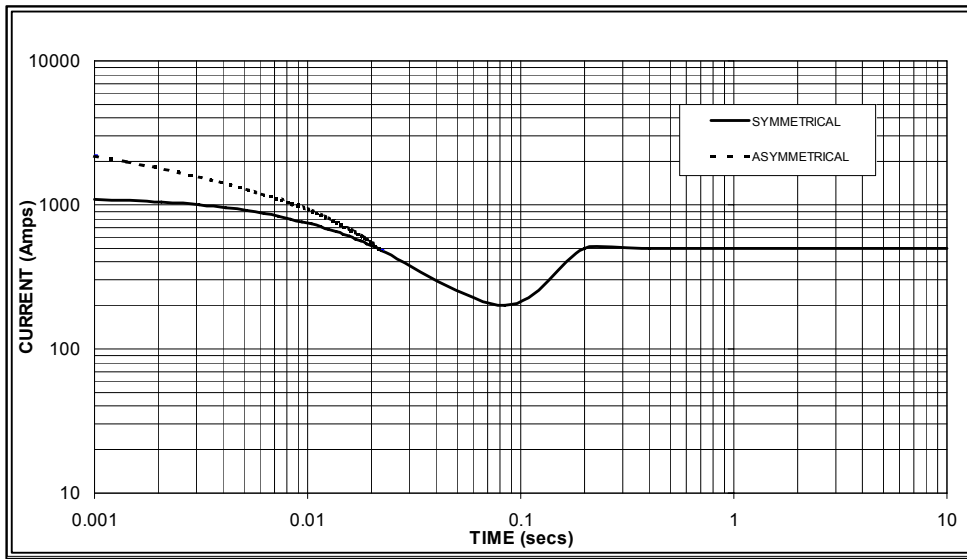
MX

SX



Three-phase Short Circuit Decrement Curve. No-load Excitation at Rated Speed
Based on star (wye) connection.

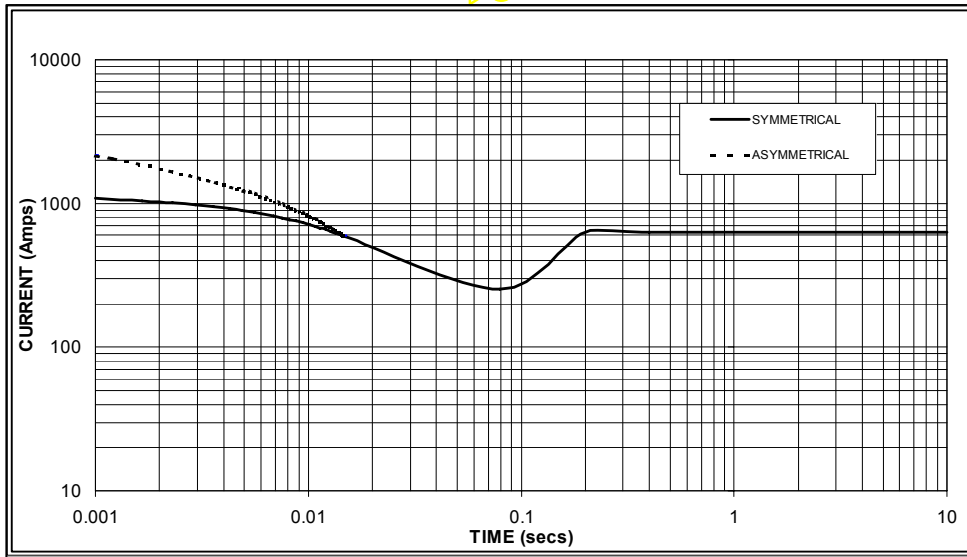
**50
Hz**



Sustained Short Circuit = 500 Amps



**60
Hz**



Sustained Short Circuit = 630 Amps

Note 1

The following multiplication factors should be used to adjust the values from curve between time 0.001 seconds and the minimum current point in respect of nominal operating voltage :

50Hz		60Hz	
Voltage	Factor	Voltage	Factor
380v	X 1.00	416v	X 1.00
400v	X 1.07	440v	X 1.06
415v	X 1.12	460v	X 1.12
		480v	X 1.17

The sustained current value is constant irrespective of voltage level

Note 2

The following multiplication factor should be used to convert the values calculated in accordance with NOTE 1 to those applicable to the various types of short circuit :

	3-phase	2-phase L-L	1-phase L-N
Instantaneous	x 1.00	x 0.87	x 1.30
Minimum	x 1.00	x 1.80	x 3.20
Sustained	x 1.00	x 1.50	x 2.50
Max. sustained duration	10 sec.	5 sec.	2 sec.

All other times are unchanged

Note 3

Curves are drawn for Star (Wye) connected machines. For other connection the following multipliers should be applied to current values as shown :

Parallel Star = Curve current value X 2

Series Delta = Curve current value X 1.732

UCI274D

STAMFORD

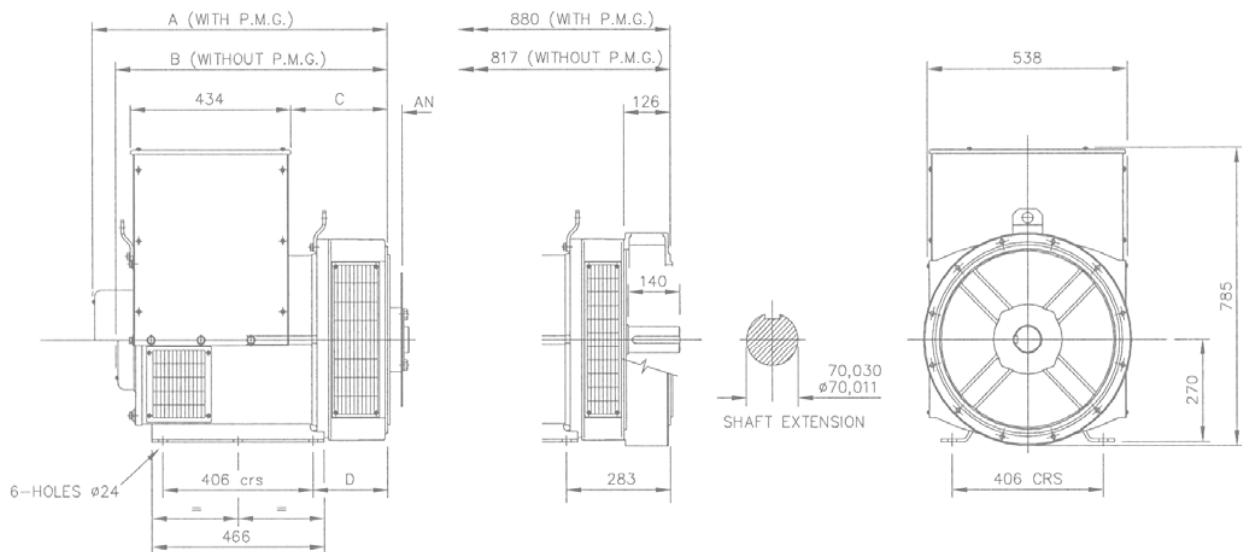
Winding 311 / 0.8 Power Factor

RATINGS

Class - Temp Rise		Cont. F - 105/40°C				Cont. H - 125/40°C				Standby - 150/40°C				Standby - 163/27°C			
50 Hz	Series Star (V)	380	400	415	440	380	400	415	440	380	400	415	440	380	400	415	440
	Parallel Star (V)	190	200	208	220	190	200	208	220	190	200	208	220	190	200	208	220
	Series Delta (V)	220	230	240	254	220	230	240	254	220	230	240	254	220	230	240	254
	kVA	100.0	100.0	100.0	N/A	114.0	120.0	114.0	N/A	121.0	127.0	121.0	N/A	125.0	130.0	125.0	N/A
	kW	80.0	80.0	80.0	N/A	91.2	96.0	91.2	N/A	96.8	101.6	96.8	N/A	100.0	104.0	100.0	N/A
	Efficiency (%)	90.9	91.3	91.5	N/A	90.3	90.6	91.1	N/A	90.0	90.3	90.8	N/A	89.8	90.2	90.7	N/A
	kW Input	88.0	87.6	87.4	N/A	101.0	106.0	100.1	N/A	107.6	112.5	106.6	N/A	111.4	115.3	110.3	N/A

60 Hz	Series Star (V)	416	440	460	480	416	440	460	480	416	440	460	480	416	440	460	480
	Parallel Star (V)	208	220	230	240	208	220	230	240	208	220	230	240	208	220	230	240
	Series Delta (V)	240	254	266	277	240	254	266	277	240	254	266	277	240	254	266	277
	kVA	120.0	125.0	125.0	131.3	131.3	137.5	137.5	146.3	137.5	145.0	145.0	156.3	142.5	150.0	150.0	158.8
	kW	96.0	100.0	100.0	105.0	105.0	110.0	110.0	117.0	110.0	116.0	116.0	125.0	114.0	120.0	120.0	127.0
	Efficiency (%)	90.9	91.2	91.5	91.6	90.5	90.8	91.2	91.3	90.2	90.6	91.0	91.0	90.1	90.4	90.8	91.0
	kW Input	105.6	109.6	109.3	114.7	116.1	121.1	120.6	128.2	122.0	128.0	127.5	137.4	126.5	132.7	132.2	139.6

DIMENSIONS



SINGLE BEARING ADAPTORS				
ADAPTOR	A	B	C	D
SAE 1	813,3	750,3	274,3	216,3
SAE 2	799	736	260	202
SAE 3	799	736	260	202

COUPLING DISCS	
DISC	AN
SAE 10	53,98
SAE 11,5	39,68
SAE 14	25,40

APPROVED DOCUMENT

STAMFORD

Head Office Address:
Barnack Road, Stamford
Lincolnshire, PE9 2NB
United Kingdom
Tel: +44 (0) 1780 484000
Fax: +44 (0) 1780 484100

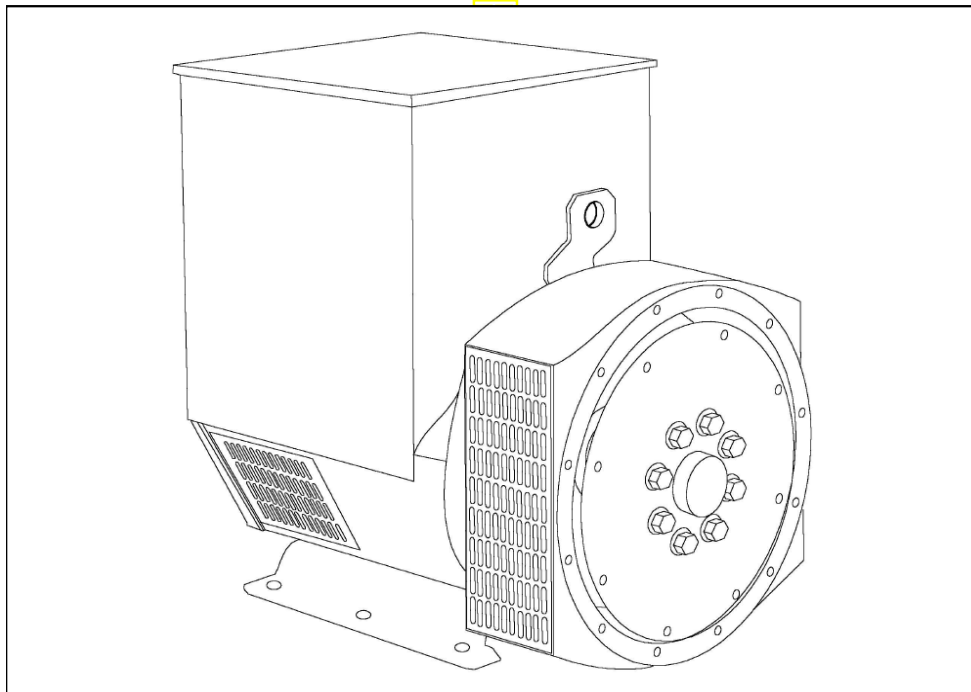
www.cumminsgeneratortechnologies.com

Copyright 2010, Cummins Generator Technologies Ltd, All Rights Reserved
Stamford and AvK are registered trade marks of Cummins Generator Technologies Ltd
Cummins and the Cummins logo are registered trade marks of Cummins Inc.

STAMFORD®

UCI274D - Winding 17

Technical **VA** Data Sheet



SPECIFICATIONS & OPTIONS

STANDARDS

Stamford industrial generators meet the requirements of BS EN 60034 and the relevant section of other international standards such as BS5000, VDE 0530, NEMA MG1-32, IEC34, CSA C22.2-100, AS1359.

Other standards and certifications can be considered on request.

VOLTAGE REGULATORS**SX460 AVR - STANDARD**

With this self excited control system the main stator supplies power via the Automatic Voltage Regulator (AVR) to the exciter stator. The high efficiency semiconductors of the AVR ensure positive build-up from initial low levels of residual voltage.

The exciter rotor output is fed to the main rotor through a three phase full wave bridge rectifier. This rectifier is protected by a surge suppressor against surges caused, for example, by short circuit.

AS440 AVR

With this self-excited system the main stator provides power via the AVR to the exciter stator. The high efficiency semiconductors of the AVR ensure positive build-up from initial low levels of residual voltage.

The exciter rotor output is fed to the main rotor through a three-phase full-wave bridge rectifier. The rectifier is protected by a surge suppressor against surges caused, for example, by short circuit or out-of-phase paralleling.

The AS440 will support a range of electronic accessories, including a 'droop' Current Transformer (CT) to permit parallel operation with other ac generators.

MX341 AVR

This sophisticated AVR is incorporated into the Stamford Permanent Magnet Generator (PMG) control system.

The PMG provides power via the AVR to the main exciter, giving a source of constant excitation power independent of generator output. The main exciter output is then fed to the main rotor, through a full wave bridge, protected by a surge suppressor. The AVR has in-built protection against sustained over-excitation, caused by internal or external faults. This de-excites the machine after a minimum of 5 seconds.

An engine relief load acceptance feature can enable full load to be applied to the generator in a single step.

If three-phase sensing is required with the PMG system the MX321 AVR must be used.

We recommend three-phase sensing for applications with greatly unbalanced or highly non-linear loads.

MX321 AVR

The most sophisticated of all our AVRs combines all the features of the MX341 with, additionally, three-phase rms sensing, for improved regulation and performance.

Over voltage protection is built-in and short circuit current level adjustments is an optional facility.

WINDINGS & ELECTRICAL PERFORMANCE

All generator stators are wound to 2/3 pitch. This eliminates triplen (3rd, 9th, 15th ...) harmonics on the voltage waveform and is found to be the optimum design for trouble-free supply of non-linear loads. The 2/3 pitch design avoids excessive neutral currents sometimes seen with higher winding pitches, when in parallel with the mains. A fully connected damper winding reduces oscillations during paralleling. This winding, with the 2/3 pitch and carefully selected pole and tooth designs, ensures very low waveform distortion.

TERMINALS & TERMINAL BOX

Standard generators are 3-phase reconnectable with 12 ends brought out to the terminals, which are mounted on a cover at the non-drive end of the generator. A sheet steel terminal box contains the AVR and provides ample space for the customers' wiring and gland arrangements. It has removable panels for easy access.

SHAFT & KEYS

All generator rotors are dynamically balanced to better than BS6861:Part 1 Grade 2.5 for minimum vibration in operation.

INSULATION/IMPREGNATION

The insulation system is class 'H'.

All wound components are impregnated with materials and processes designed specifically to provide the high build required for static windings and the high mechanical strength required for rotating components.

QUALITY ASSURANCE

Generators are manufactured using production procedures having a quality assurance level to BS EN ISO 9001.

The stated voltage regulation may not be maintained in the presence of certain radio transmitted signals. Any change in performance will fall within the limits of Criteria 'B' of EN 61000-6-2:2001. At no time will the steady-state voltage regulation exceed 2%.

DE RATES

All values tabulated on page 6 are subject to the following reductions

5% when air inlet filters are fitted.

3% for every 500 metres by which the operating altitude exceeds 1000 metres above mean sea level.

3% for every 5 C by which the operational ambient temperature exceeds 40 C.

Note: Requirement for operating in an ambient exceeding 60 C must be referred to the factory.

NB Continuous development of our products entitles us to change specification details without notice, therefore they must not be regarded as binding.

Front cover drawing typical of product range.

APPROVED DOCUMENT

UCI274D

STAMFORD

WINDING 17

CONTROL SYSTEM	SEPARATELY EXCITED BY P.M.G.		
A.V.R.	MX321	MX341	
VOLTAGE REGULATION	± 0.5 %	± 1.0 %	With 4% ENGINE GOVERNING
SUSTAINED SHORT CIRCUIT	REFER TO SHORT CIRCUIT DECREMENT CURVES (page 5)		
CONTROL SYSTEM	SELF EXCITED		
A.V.R.	SX460	AS440	
VOLTAGE REGULATION	± 1.5 %	± 1.0 %	With 4% ENGINE GOVERNING
SUSTAINED SHORT CIRCUIT	SERIES 4 CONTROL DOES NOT SUSTAIN A SHORT CIRCUIT CURRENT		
INSULATION SYSTEM	CLASS H		
PROTECTION	IP23		
RATED POWER FACTOR	0.8		
STATOR WINDING	DOUBLE LAYER CONCENTRIC		
WINDING PITCH	TWO THIRDS		
WINDING LEADS	12		
STATOR WDG. RESISTANCE	0.0515 Ohms PER PHASE AT 22°C SERIES STAR CONNECTED		
ROTOR WDG. RESISTANCE	1.26 Ohms at 22°C		
EXCITER STATOR RESISTANCE	20 Ohms at 22°C		
EXCITER ROTOR RESISTANCE	0.091 Ohms PER PHASE AT 22°C		
R.F.I. SUPPRESSION	BS EN 61000-6-2 & BS EN 61000-6-4, VDE 0875G, VDE 0875N. refer to factory for others		
WAVEFORM DISTORTION	NO LOAD < 1.5% NON-DISTORTING BALANCED LINEAR LOAD < 5.0%		
MAXIMUM OVERSPEED	2250 Rev/Min		
BEARING DRIVE END	BALL. 6315-2RS (ISO)		
BEARING NON-DRIVE END	BALL. 6310-2RS (ISO)		
	1 BEARING		2 BEARING
WEIGHT COMP. GENERATOR	431 kg		450 kg
WEIGHT WOUND STATOR	141 kg		141 kg
WEIGHT WOUND ROTOR	149.37 kg		138.41 kg
WR ² INERTIA	1.1962 kgm ²		1.1455 kgm ²
SHIPPING WEIGHTS in a crate	458 kg		476 kg
PACKING CRATE SIZE	105 x 67 x 103(cm)		105 x 67 x 103(cm)
TELEPHONE INTERFERENCE	THF<2%		TIF<50
COOLING AIR	0.617 m ³ /sec 1308 cfm		
VOLTAGE SERIES STAR	600V		
VOLTAGE PARALLEL STAR	300V		
VOLTAGE SERIES DELTA	346V		
kVA BASE RATING FOR REACTANCE VALUES	146.3		
X _d DIR. AXIS SYNCHRONOUS	2.02		
X' _d DIR. AXIS TRANSIENT	0.17		
X'' _d DIR. AXIS SUBTRANSIENT	0.11		
X _q QUAD. AXIS REACTANCE	1.19		
X'' _q QUAD. AXIS SUBTRANSIENT	0.16		
X _L LEAKAGE REACTANCE	0.06		
X ₂ NEGATIVE SEQUENCE	0.13		
X ₀ ZERO SEQUENCE	0.08		
REACTANCES ARE SATURATED		VALUES ARE PER UNIT AT RATING AND VOLTAGE INDICATED	
T' _d TRANSIENT TIME CONST.	0.03s		
T'' _d SUB-TRANSTIME CONST.	0.01s		
T' _{do} O.C. FIELD TIME CONST.	0.82s		
T _a ARMATURE TIME CONST.	0.007s		
SHORT CIRCUIT RATIO	1/X _d		

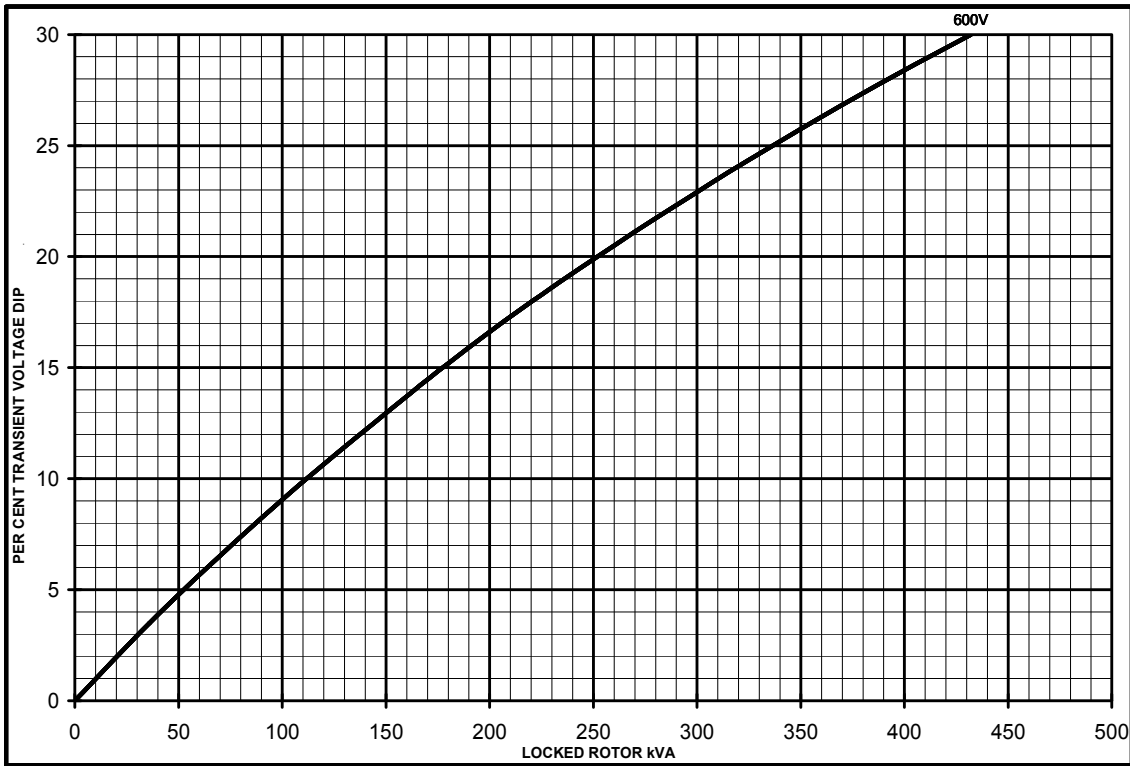
UCI274D

STAMFORD

Winding 17

SX

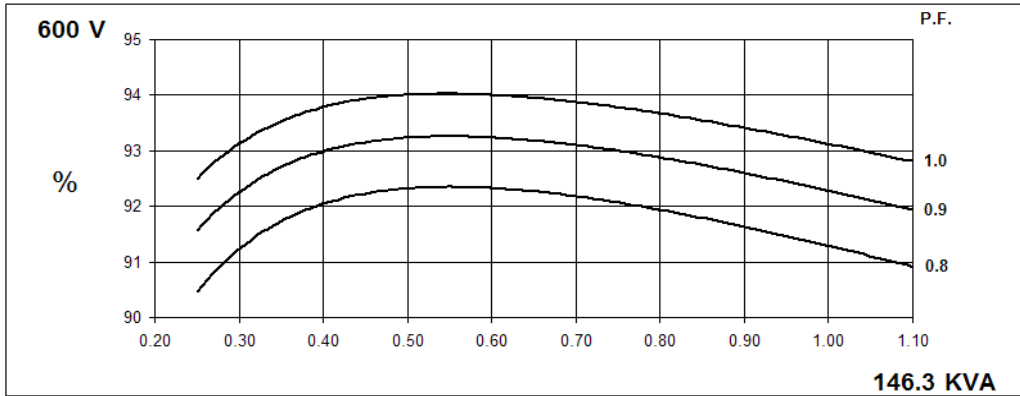
Locked Rotor Motor Starting Curves



MX

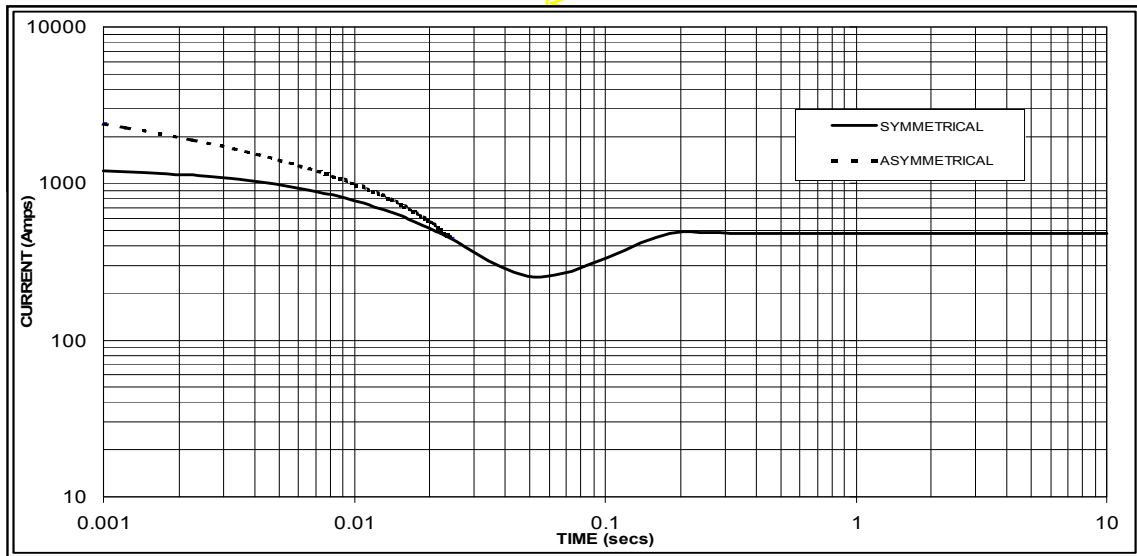


THREE PHASE EFFICIENCY CURVES



PPC

Three-phase Short Circuit Decrement Curve. No-load Excitation at Rated Speed Based on star (wye) connection.



Sustained Short Circuit = 480 Amps

Note

The following multiplication factor should be used to convert the values from curve for the various types of short circuit :

	3-phase	2-phase L-L	1-phase L-N
Instantaneous	x 1.00	x 0.87	x 1.30
Minimum	x 1.00	x 1.80	x 3.20
Sustained	x 1.00	x 1.50	x 2.50
Max. sustained duration	10 sec.	5 sec.	2 sec.

All other times are unchanged

UCI274D

Winding 17 / 0.8 Power Factor

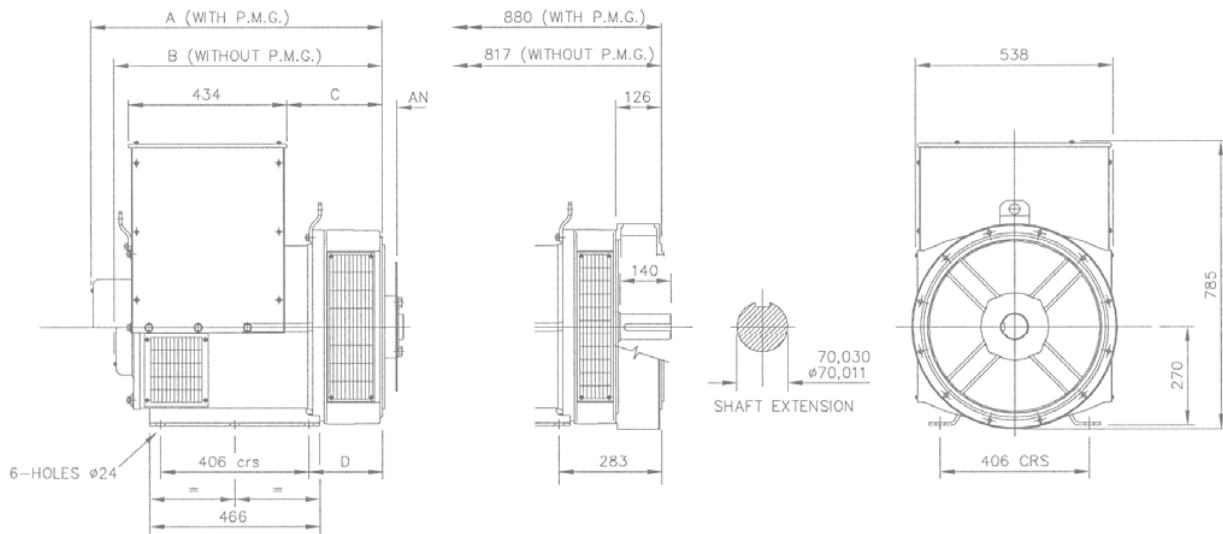
60Hz

RATINGS

Class - Temp Rise	Cont. F - 105/40°C	Cont. H - 125/40°C	Standby - 150/40°C	Standby - 163/27°C
Series Star (V)	600	600	600	600
Parallel Star (V)	300	300	300	300
Series Delta (V)	346	346	346	346
kVA	131.3	146.3	155.0	158.8
kW	105.0	117.0	124.0	127.0
Efficiency (%)	91.6	91.3	91.1	91.0
kW Input	114.6	128.2	136.2	139.7

APPROXIMATE

DIMENSIONS



SINGLE BEARING ADAPTORS				
ADAPTOR	A	B	C	D
SAE 1	813,3	750,3	274,3	216,3
SAE 2	799	736	260	202
SAE 3	799	736	260	202

COUPLING DISCS	
DISC	AN
SAE 10	53,98
SAE 11,5	39,68
SAE 14	25,40

APPROVED DOCUMENT

STAMFORD

Head Office Address:
Barnack Road, Stamford
Lincolnshire, PE9 2NB
United Kingdom
Tel: +44 (0) 1780 484000
Fax: +44 (0) 1780 484100

www.cumminsgeneratortechnologies.com

Copyright 2010, Cummins Generator Technologies Ltd, All Rights Reserved
Stamford and AvK are registered trade marks of Cummins Generator Technologies Ltd
Cummins and the Cummins logo are registered trade marks of Cummins Inc.

DSE7410/20

AUTO START & AUTO MAINS FAILURE MODULES

FEATURES



The DSE7410 is an Auto Start Control Module and the **DSE7420** is an Auto Mains (Utility) Failure Control Module suitable for a wide variety of single, diesel or gas, gen-set applications.

A sophisticated module monitoring an extensive number of engine parameters, the DSE74xx will announce warnings, shutdown and engine status information on the back-lit LCD screen, illuminated LED, remote PC, audible alarm and via SMS text alerts. The module includes RS232, RS485 & Ethernet ports as well as dedicated terminals for system expansion.

The DSE7400 Series modules are compatible with electronic (CAN) and non-electronic (magnetic pick-up/alternator sensing) engines and offer a comprehensive number of flexible inputs, outputs and extensive engine protections so the system can be easily adapted to meet the most demanding industry paralleling requirements.

The modules can be easily configured using the DSE Configuration Suite Software. Selected front panel editing is also available.

ENVIRONMENTAL TESTING STANDARDS

ELECTRO-MAGNETIC COMPATIBILITY

BS EN 61000-6-2
EMC Generic Immunity Standard for the Industrial Environment
BS EN 61000-6-4
EMC Generic Emission Standard for the Industrial Environment

ELECTRICAL SAFETY

BS EN 60950
Safety of Information Technology Equipment, including Electrical Business Equipment

TEMPERATURE

BS EN 60068-2-1
Ab/Ae Cold Test -30 °C
BS EN 60068-2-2
Bb/Be Dry Heat +70 °C

VIBRATION

BS EN 60068-2-6
Ten sweeps in each of three major axes
5 Hz to 8 Hz @ +/-7.5 mm,
8 Hz to 500 Hz @ 2 gn

HUMIDITY

BS EN 60068-2-30
Db Damp Heat Cyclic 20/55 °C @ 95% RH 48 Hours
BS EN 60068-2-78
Cab Damp Heat Static 40 °C @ 93% RH 48 Hours

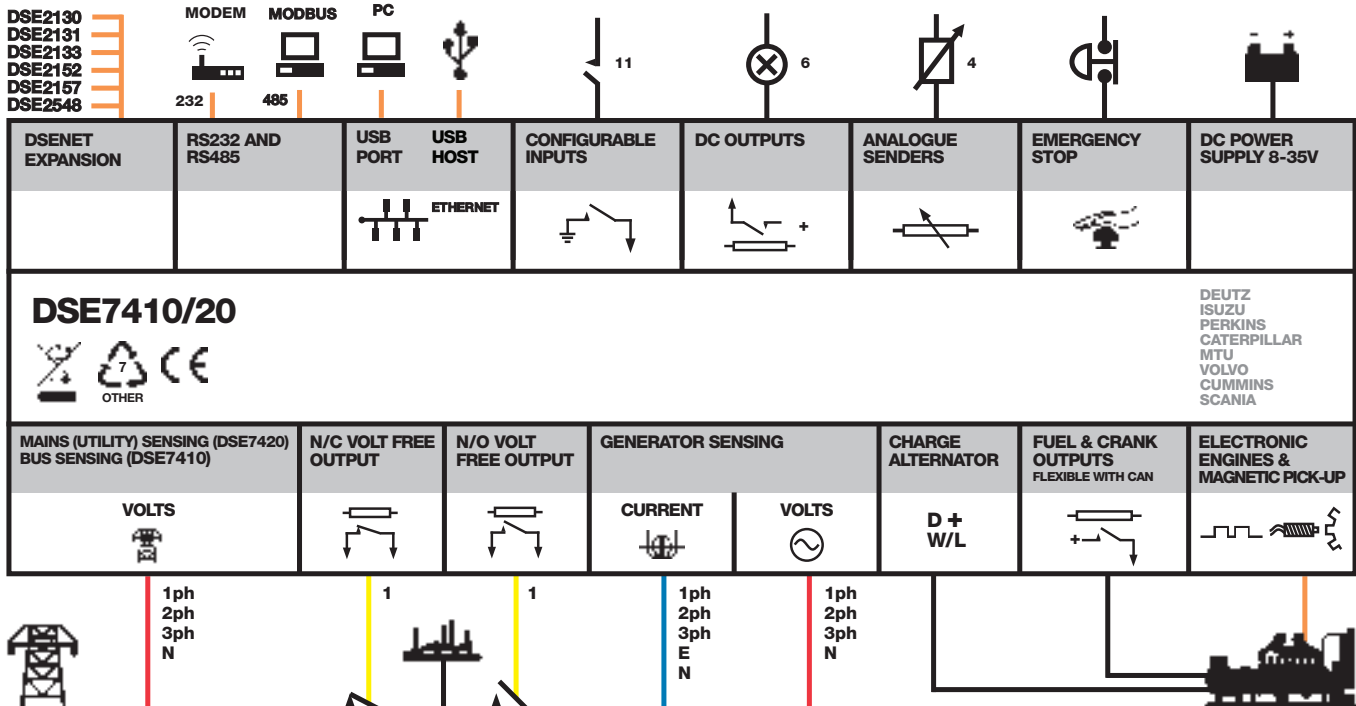
SHOCK

BS EN 60068-2-27
Three shocks in each of three major axes
15 gn in 11 ms

DEGREES OF PROTECTION PROVIDED BY ENCLOSURES

BS EN 60529
IP65 - Front of module when installed into the control panel with the supplied sealing gasket.

COMPREHENSIVE FEATURE LIST TO SUIT A WIDE VARIETY OF GEN-SET APPLICATIONS



DSE7410/20

AUTO START & AUTO MAINS FAILURE MODULES

FEATURES



DSE7420

DSE7410



KEY FEATURES

- Configurable inputs (11)
- Configurable outputs (8)
- Voltage measurement
- Mains (utility) failure detection
- Dedicated load test button
- kW overload alarms
- Comprehensive electrical protection
- RS232, RS485 & Ethernet remote communications
- Modbus RTU/TCP
- PLC functionality
- Multi event exercise timer
- Back-lit LCD 4-line text display
- Multiple display languages
- Automatic start/Manual start
- Audible alarm
- Fixed and flexible LED indicators
- Event log (250)
- Engine protection
- Fault condition notification to a designated PC
- Front panel mounting
- Protected front panel programming
- Configurable alarms and timers
- Configurable start and stop timers

- Five key menu navigation
- Front panel editing with PIN protection
- 3 configurable maintenance alarms
- CAN and magnetic pick-up/Alt. sensing
- Fuel usage monitor and low fuel alarms
- Charge alternator failure alarm
- Manual speed control (on compatible CAN engines)
- Manual fuel pump control
- "Protections disabled" feature
- Reverse power protection
- Power monitoring (kW h, kV Ar, kV A h, kV Ar h)
- Load switching (load shedding and dummy load outputs)
- Automatic load transfer (DSE7420)
- Unbalanced load protection
- Independent earth fault trip
- Fully configurable via DSE Configuration Suite PC software
- Configurable display languages
- Remote SCADA monitoring via DSE Configuration Suite PC software

- Advanced SMS messaging (additional external modem required)
- Start & stop capability via SMS messaging
- Additional display screens to help with modem diagnostics
- DSENet® expansion
- Integral PLC editor

KEY BENEFITS

- RS232, RS485 & Ethernet can be used at the same time
- DSENet® connection for system expansion
- PLC functionality
- Five step dummy load support
- Five step load shedding support
- High number of inputs and outputs
- Worldwide language support
- Direct USB connection to PC
- Ethernet monitoring
- USB host
- Data logging & trending

RELATED MATERIALS

TITLE

DSE7410 Installation Instructions
DSE7420 Installation Instructions
 DSE74xx Quick Start Guide
 DSE74xx Operator Manual
 DSE74xx PC Configuration Suite Manual

PART NO'S

053-085
 053-088
 057-162
 057-161
 057-160

SPECIFICATION

DC SUPPLY
CONTINUOUS VOLTAGE RATING
 8 V to 35 V Continuous

CRANKING DROPOUTS
 Able to survive 0 V for 50 ms, providing supply was at least 10 V before dropout and supply recovers to 5 V. This is achieved without the need for internal batteries

MAXIMUM OPERATING CURRENT
 260 mA at 12 V, 130 mA at 24 V

MAXIMUM STANDBY CURRENT
 120 mA at 12 V, 65 mA at 24 V

CHARGE FAIL/EXCITATION RANGE
 0 V to 35 V

OUTPUTS
OUTPUT A (FUEL)
 15 A DC at supply voltage

OUTPUT B (START)
 15 A DC at supply voltage

OUTPUTS C & D
 8 A AC at 250 V AC (Volt free)

AUXILIARY OUTPUTS E, F, G, H, I & J
 2 A DC at supply voltage

GENERATOR
VOLTAGE RANGE
 15 V to 333 V AC (L-N)

FREQUENCY RANGE
 3.5 Hz to 75 Hz

MAINS (UTILITY) (DSE7420)
VOLTAGE RANGE
 15 V to 333 V AC (L-N)

FREQUENCY RANGE
 3.5 Hz to 75 Hz

BUS (DSE7410)
VOLTAGE RANGE
 15 V to 333 V AC (L-N)

FREQUENCY RANGE
 3.5 Hz to 75 Hz

MAGNETIC PICK UP
VOLTAGE RANGE
 +/- 0.5 V to 70 V

FREQUENCY RANGE
 10,000 Hz (max)

DIMENSIONS
OVERALL
 240 mm x 172 mm x 57 mm
 9.4" x 6.8" x 2.2"

PANEL CUTOUT
 220 mm x 160 mm
 8.7" x 6.3"

MAXIMUM PANEL THICKNESS
 8 mm
 0.3"

STORAGE TEMPERATURE RANGE
 -40°C to +85°C

DEEP SEA ELECTRONICS PLC UK

Highfield House, Hunmanby Industrial Estate, Hunmanby YO14 0PH
TELEPHONE +44 (0) 1723 890099 **FACSIMILE** +44 (0) 1723 893303
EMAIL sales@deepseapl.com **WEBSITE** www.deepseapl.com

DEEP SEA ELECTRONICS INC USA

3230 Williams Avenue, Rockford, IL 61101-2668 USA
TELEPHONE +1 (815) 316 8706 **FACSIMILE** +1 (815) 316 8708
EMAIL sales@deepseausa.com **WEBSITE** www.deepseausa.com

Molded Case Circuit Breakers
Power Defense™ UL Global Series
Part Number: PDG23G0150TFFJNNNNNN



Datasheet creation date: 21/11/2019

PRODUCT VIEW *(Use Mouse to Rotate and Zoom)*

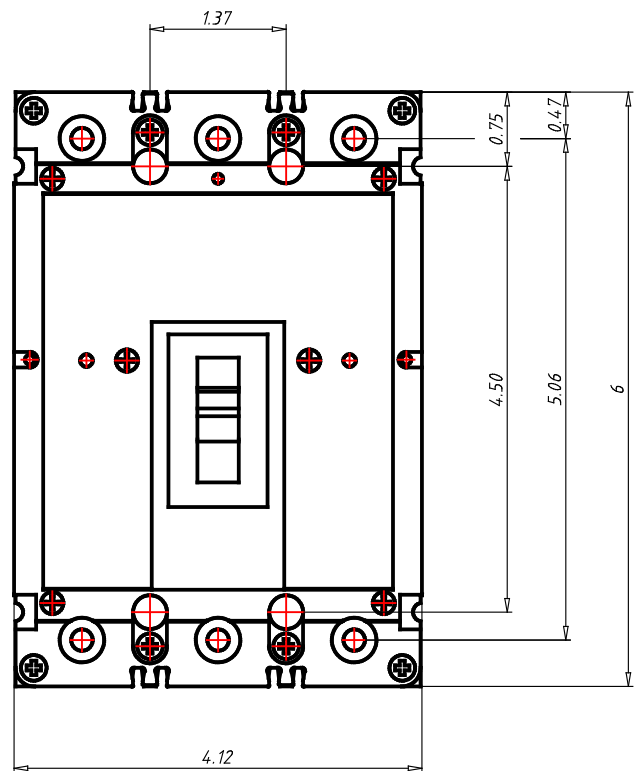
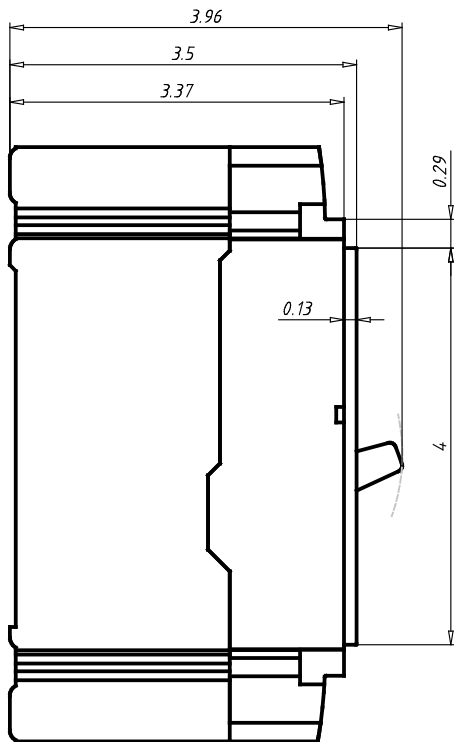
Eaton's Power Defense™ molded case circuit breakers, a globally rated platform designed to help keep your power system safe with latest protection technology. Engineered for the future: IoT and Industry 4.0 features such as built-in communications, advanced energy metering, and algorithms that signal breaker maintenance; zone selective interlock technology that clears faults quickly and locally; ArcFlash reduction options that help protect your people, and not to mention Eaton's best-in-class support and service.

Tech Data for Configured Product

Power Defense Catalog Number	PDG23G0150TFFJNNNNNN
Frame Size	Frame 2
Poles	3 Pole
Voltage	480V AC
Interruption or Breaking Capacity (Icu/Ics)	35kA
Continuous Current Rating (In)	150A
Trip Unit Type	TM Trip Unit
Trip Unit Options 1	Fixed
Trip Unit Options 2	Fixed
Indicating Accessories	None
Indicating Accessories Terminal	None
Tripping Accessories	None
Tripping Accessory Terminal	None
Tripping Accessory Voltage	None
Line Type Description	Option 1 - Standard Terminal
Line Conductor Options	(1) 4 - 4/0
Line Terminal Type	Aluminum
Load Type Description	Option 1 - Standard Terminal
Load Conductor Options	(1) 4 - 4/0
Load Terminal Type	Aluminum
Special Options - Type of Modification	None
Details	None
Additional Description	None

Molded Case Circuit Breakers
Power Defense™ UL Global Series
Part Number: PDG23G0150TFFJNNNNN

Technical drawings



Molded Case Circuit Breakers
Power Defense™ UL Global Series
Part Number: PDG23G0150TFFJNNNNNN



Datasheet creation date: 21/11/2019

General Technical Data

Frame Rating (In)	150A
Reference Standard	UL489, CSA 22.2, IEC 60947-2 & GB
Number of poles	3
Neutral rating	-
Interruption Rating Designator	F / G / K / M / N / P
UL Interruption Rating to UL 489 (240Vac)	35 / 65 / 85 / 100 / 150 / 200kA
UL Interruption Rating to UL 489 (480Vac)	25 / 35 / 50 / 65(a) / 85 / 100kA
UL Interruption Rating to UL 489 (600Vac)	14 / 18 / 22 / 25 / 30 / 35kA
UL Interruption Rating to UL 489 (125/250Vdc)	10 / 10 / 10 / 22 / 22 / 22kA
UL Current Limiting	N / N / Y / Y / Y / Y
Rated breaking capacity to IEC 60947-2 (220-240 Vac Icu)	35 / 55 / 85 / 100 / 150 / 200kA
Rated breaking capacity to IEC 60947-2 (220-240 Vac Ics)	35 / 55 / 85 / 100 / 100 / 150kA
Rated breaking capacity to IEC 60947-2 (380-415 Vac Icu)	25 / 36 / 50 / 70 / 70 / 100kA
Rated breaking capacity to IEC 60947-2 (380-415 Vac Ics)	25 / 36 / 50 / 53 / 70 / 70kA
Rated breaking capacity to IEC 60947-2 (440 Vac Icu)	25 / 30 / 35 / 50 / 70 / 100kA
Rated breaking capacity to IEC 60947-2 (440 Vac Ics)	20 / 22.5 / 35 / 40 / 50 / 65kA
Rated breaking capacity to IEC 60947-2 (525 Vac Icu)	
Rated breaking capacity to IEC 60947-2 (525 Vac Ics)	15 / 15 / 15 / 15 / 15 / 18kA
Rated breaking capacity to IEC 60947-2 (690 Vac Icu)	- / 8 / 10 / 10 / 10 / 10kA
Rated breaking capacity to IEC 60947-2 (690 Vac Ics)	- / 4 / 5 / 5 / 5 / 5kA
Rated breaking capacity to IEC 60947-2 (125V DC Icu)	10 / 10 / 10 / 22 / 22 / 22kA
Rated breaking capacity to IEC 60947-2 (250V DC 2P in series Ics)	10 / 10 / 10 / 22 / 22 / 22kA
Frequency	50/60Hz
Trip Unit Type	TM Trip Unit
Continuous Current Range	Fixed
100% UL489 Rated	
Instantaneous/Short Circuit Range	Fixed
Magnetic/Instantaneous Override	800A
Dimensions H x W x D (inches)	6 x 4.12 x 3.50
Pole to pole distance inches	1,375
Approx Weight lbs	4
RoHS Compliance	Yes
UL File Number	E7819
Ambient Temp Calibration	
Derating at 50C	
Derating at 60C	95%
Derating at 70C	90%

1. 480Vac corresponds to 277Vac for 1P
2. 600Vac corresponds to 347Vac for 1P

Molded Case Circuit Breakers
Power Defense™ UL Global Series
Part Number: PDG23G0175TFFJNNNNNN



Datasheet creation date: 02/12/2019

PRODUCT VIEW *(Use Mouse to Rotate and Zoom)*

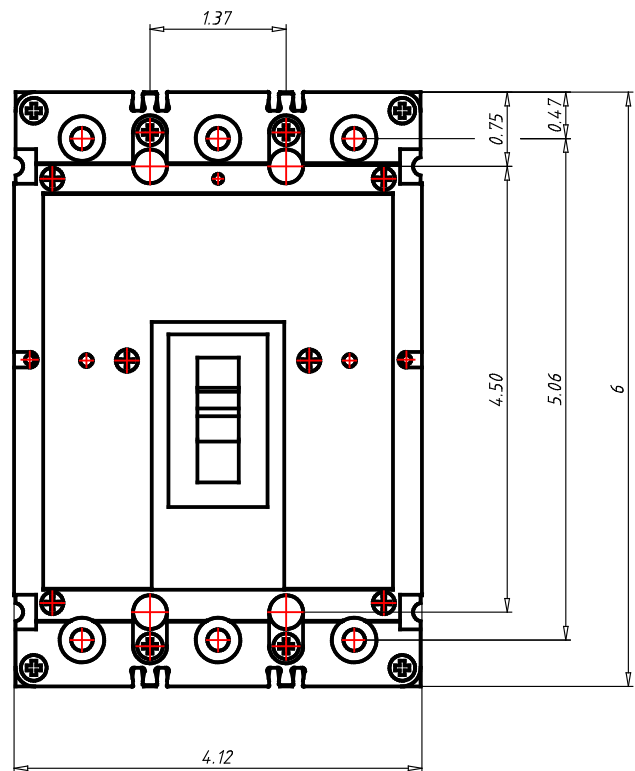
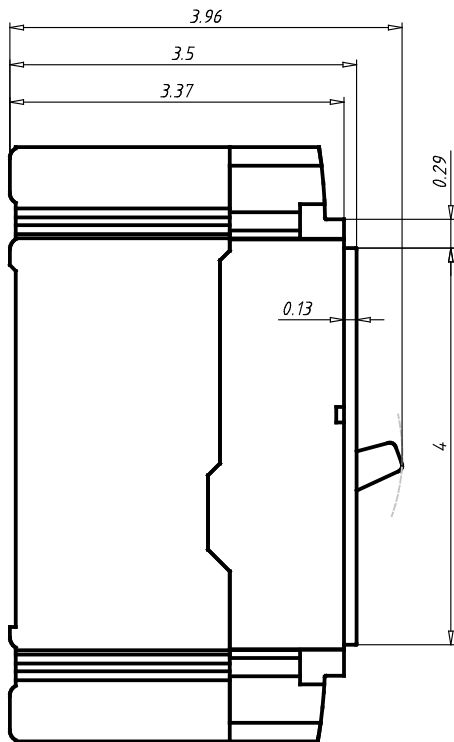
Eaton's Power Defense™ molded case circuit breakers, a globally rated platform designed to help keep your power system safe with latest protection technology. Engineered for the future: IoT and Industry 4.0 features such as built-in communications, advanced energy metering, and algorithms that signal breaker maintenance; zone selective interlock technology that clears faults quickly and locally; ArcFlash reduction options that help protect your people, and not to mention Eaton's best-in-class support and service.

Tech Data for Configured Product

Power Defense Catalog Number	PDG23G0175TFFJNNNNNN
Frame Size	Frame 2
Poles	3 Pole
Voltage	480V AC
Interruption or Breaking Capacity (Icu/Ics)	35kA
Continuous Current Rating (In)	175A
Trip Unit Type	TM Trip Unit
Trip Unit Options 1	Fixed
Trip Unit Options 2	Fixed
Indicating Accessories	None
Indicating Accessories Terminal	None
Tripping Accessories	None
Tripping Accessory Terminal	None
Tripping Accessory Voltage	None
Line Type Description	Option 1 - Standard Terminal
Line Conductor Options	(1) 4 - 4/0
Line Terminal Type	Aluminum
Load Type Description	Option 1 - Standard Terminal
Load Conductor Options	(1) 4 - 4/0
Load Terminal Type	Aluminum
Special Options - Type of Modification	None
Details	None
Additional Description	None

Molded Case Circuit Breakers
Power Defense™ UL Global Series
Part Number: PDG23G0175TFFJNNNNN

Technical drawings



Molded Case Circuit Breakers
Power Defense™ UL Global Series
Part Number: PDG23G0175TFFJNNNNNN



Datasheet creation date: 02/12/2019

General Technical Data

Frame Rating (In)	175A
Reference Standard	UL489, CSA 22.2, IEC 60947-2 & GB
Number of poles	3
Neutral rating	-
Interruption Rating Designator	F / G / K / M / N / P
UL Interruption Rating to UL 489 (240Vac)	35 / 65 / 85 / 100 / 150 / 200kA
UL Interruption Rating to UL 489 (480Vac)	25 / 35 / 50 / 65(a) / 85 / 100kA
UL Interruption Rating to UL 489 (600Vac)	14 / 18 / 22 / 25 / 30 / 35kA
UL Interruption Rating to UL 489 (125/250Vdc)	10 / 10 / 10 / 22 / 22 / 22kA
UL Current Limiting	N / N / Y / Y / Y / Y
Rated breaking capacity to IEC 60947-2 (220-240 Vac Icu)	35 / 55 / 85 / 100 / 150 / 200kA
Rated breaking capacity to IEC 60947-2 (220-240 Vac Ics)	35 / 55 / 85 / 100 / 100 / 150kA
Rated breaking capacity to IEC 60947-2 (380-415 Vac Icu)	25 / 36 / 50 / 70 / 70 / 100kA
Rated breaking capacity to IEC 60947-2 (380-415 Vac Ics)	25 / 36 / 50 / 53 / 70 / 70kA
Rated breaking capacity to IEC 60947-2 (440 Vac Icu)	25 / 30 / 35 / 50 / 70 / 100kA
Rated breaking capacity to IEC 60947-2 (440 Vac Ics)	20 / 22.5 / 35 / 40 / 50 / 65kA
Rated breaking capacity to IEC 60947-2 (525 Vac Icu)	
Rated breaking capacity to IEC 60947-2 (525 Vac Ics)	15 / 15 / 15 / 15 / 15 / 18kA
Rated breaking capacity to IEC 60947-2 (690 Vac Icu)	- / 8 / 10 / 10 / 10 / 10kA
Rated breaking capacity to IEC 60947-2 (690 Vac Ics)	- / 4 / 5 / 5 / 5 / 5kA
Rated breaking capacity to IEC 60947-2 (125V DC Icu)	10 / 10 / 10 / 22 / 22 / 22kA
Rated breaking capacity to IEC 60947-2 (250V DC 2P in series Ics)	10 / 10 / 10 / 22 / 22 / 22kA
Frequency	50/60Hz
Trip Unit Type	TM Trip Unit
Continuous Current Range	Fixed
100% UL489 Rated	
Instantaneous/Short Circuit Range	Fixed
Magnetic/Instantaneous Override	2000A
Dimensions H x W x D (inches)	6 x 4.12 x 3.50
Pole to pole distance inches	1,375
Approx Weight lbs	4
RoHS Compliance	Yes
UL File Number	E7819
Ambient Temp Calibration	
Derating at 50C	
Derating at 60C	95%
Derating at 70C	90%

1. 480Vac corresponds to 277Vac for 1P
2. 600Vac corresponds to 347Vac for 1P

Molded Case Circuit Breakers
Power Defense™ UL Global Series
Part Number: PDG33G0400B2NJNNNNNN



Datasheet creation date: 02/12/2019

PRODUCT VIEW *(Use Mouse to Rotate and Zoom)*

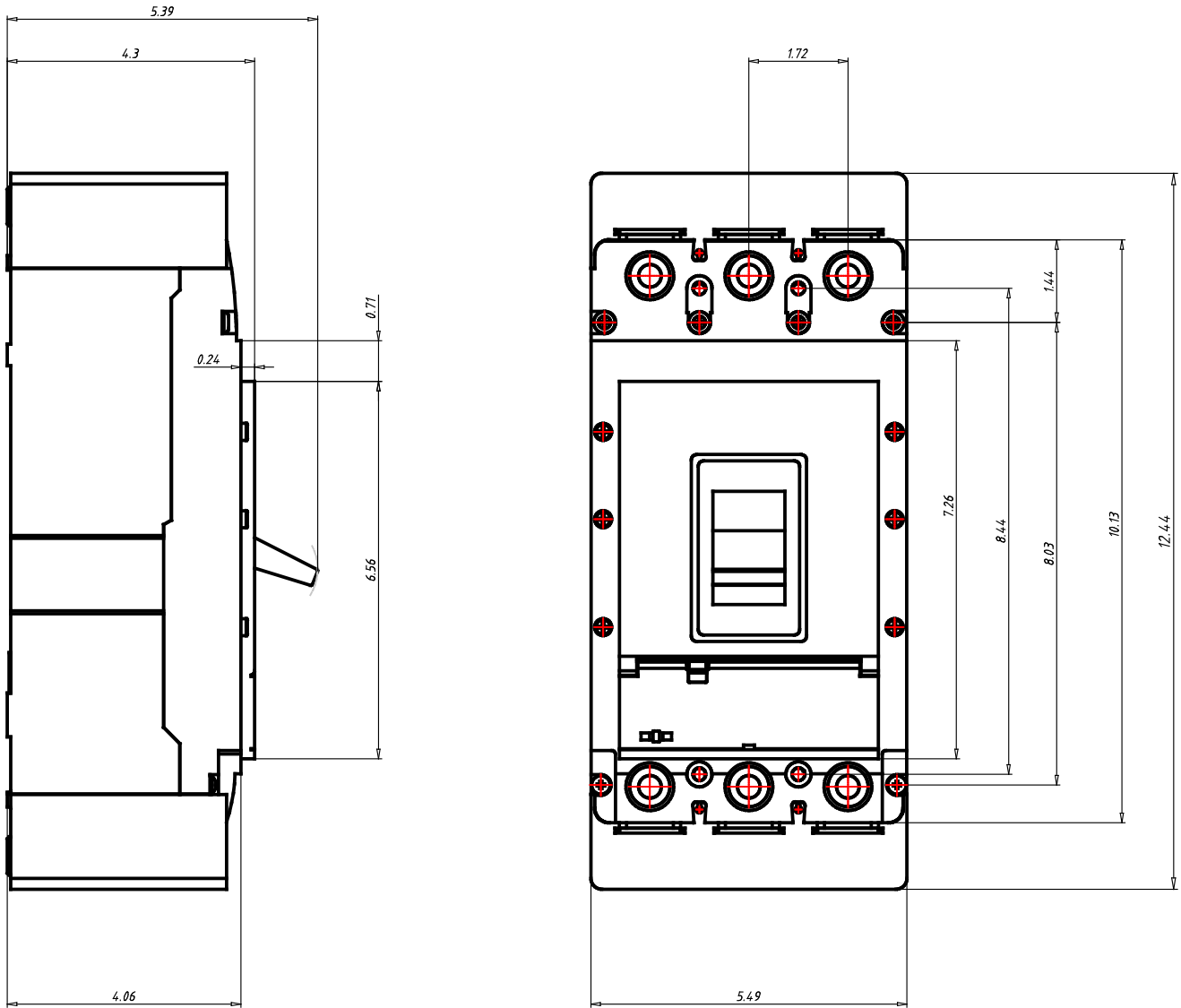
Eaton's Power Defense™ molded case circuit breakers, a globally rated platform designed to help keep your power system safe with latest protection technology. Engineered for the future: IoT and Industry 4.0 features such as built-in communications, advanced energy metering, and algorithms that signal breaker maintenance; zone selective interlock technology that clears faults quickly and locally; ArcFlash reduction options that help protect your people, and not to mention Eaton's best-in-class support and service.

Tech Data for Configured Product

Power Defense Catalog Number	PDG33G0400B2NJNNNNNN
Frame Size	Frame 3
Poles	3 Pole
Voltage	480V AC
Interruption or Breaking Capacity (Icu/Ics)	35kA
Continuous Current Rating (In)	400A
Trip Unit Type	PXR10
Trip Unit Options 1	LSI
Trip Unit Options 2	None
Indicating Accessories	None
Indicating Accessories Terminal	None
Tripping Accessories	None
Tripping Accessory Terminal	None
Tripping Accessory Voltage	None
Line Type Description	Option 1 - Standard Terminal
Line Conductor Options	(2) 3/0 - 250
Line Terminal Type	Aluminum
Load Type Description	Option 1 - Standard Terminal
Load Conductor Options	(2) 3/0 - 250
Load Terminal Type	Aluminum
Special Options - Type of Modification	None
Details	None
Additional Description	None

Molded Case Circuit Breakers
Power Defense™ UL Global Series
Part Number: PDG33G0400B2NJNNNNNN

Technical drawings



Molded Case Circuit Breakers
Power Defense™ UL Global Series
Part Number: PDG33G0400B2NJNNNNNN



Datasheet creation date: 02/12/2019

General Technical Data

Frame Rating (In)	400A
Reference Standard	UL489, CSA 22.2, IEC 60947-2 & GB
Number of poles	3
Neutral rating	-
Interruption Rating Designator	F / G / K / M / N / P
UL Interruption Rating to UL 489 (240Vac)	35 / 65 / 85 / 100 / 150 / 200kA
UL Interruption Rating to UL 489 (480Vac)	25 / 35 / 50 / 65(a) / 85 / 100kA
UL Interruption Rating to UL 489 (600Vac)	14 / 18 / 25 / 35 / 50 / 65kA
UL Interruption Rating to UL 489 (125/250Vdc)	
UL Current Limiting	N / N / N / Y / Y / Y
Rated breaking capacity to IEC 60947-2 (220-240 Vac Icu)	35 / 55 / 85 / 100 / 150 / 200kA
Rated breaking capacity to IEC 60947-2 (220-240 Vac Ics)	35 / 55 / 85 / 100 / 100 / 150kA
Rated breaking capacity to IEC 60947-2 (380-415 Vac Icu)	25 / 36 / 50 / 70 / 70 / 100kA
Rated breaking capacity to IEC 60947-2 (380-415 Vac Ics)	25 / 36 / 50 / 53 / 70 / 70kA
Rated breaking capacity to IEC 60947-2 (440 Vac Icu)	25 / 30 / 35 / 50 / 70 / 100kA
Rated breaking capacity to IEC 60947-2 (440 Vac Ics)	20 / 22.5 / 35 / 40 / 50 / 50kA
Rated breaking capacity to IEC 60947-2 (525 Vac Icu)	18 / 20 / 25 / 30 / 35 / 40kA
Rated breaking capacity to IEC 60947-2 (525 Vac Ics)	5 / 7.5 / 10 / 15 / 25 / 25kA
Rated breaking capacity to IEC 60947-2 (690 Vac Icu)	- / 8 / 10 / 15 / 20 / 20kA
Rated breaking capacity to IEC 60947-2 (690 Vac Ics)	- / 4 / 5 / 7.5 / 10 / 10kA
Rated breaking capacity to IEC 60947-2 (125V DC Icu)	
Rated breaking capacity to IEC 60947-2 (250V DC 2P in series Ics)	10 / 10 / 10 / 22 / 22 / 22kA
Frequency	50/60Hz
Trip Unit Type	PXR10
Continuous Current Range	160 - 400A
100% UL489 Rated	Yes
Instantaneous/Short Circuit Range	2 - 10 In
Magnetic/Instantaneous Override	4400A
Dimensions H x W x D (inches)	10.125 x 5.47 x 4.297
Pole to pole distance inches	1,719
Approx Weight lbs	16
RoHS Compliance	Yes
UL File Number	E7819
Ambient Temp Calibration	
Derating at 50C	
Derating at 60C	
Derating at 70C	

1. 480Vac corresponds to 277Vac for 1P
2. 600Vac corresponds to 347Vac for 1P

Molded Case Circuit Breakers
Power Defense™ UL Global Series
Part Number: PDG33G0600B2NJNNNNNN



Datasheet creation date: 02/12/2019

PRODUCT VIEW *(Use Mouse to Rotate and Zoom)*

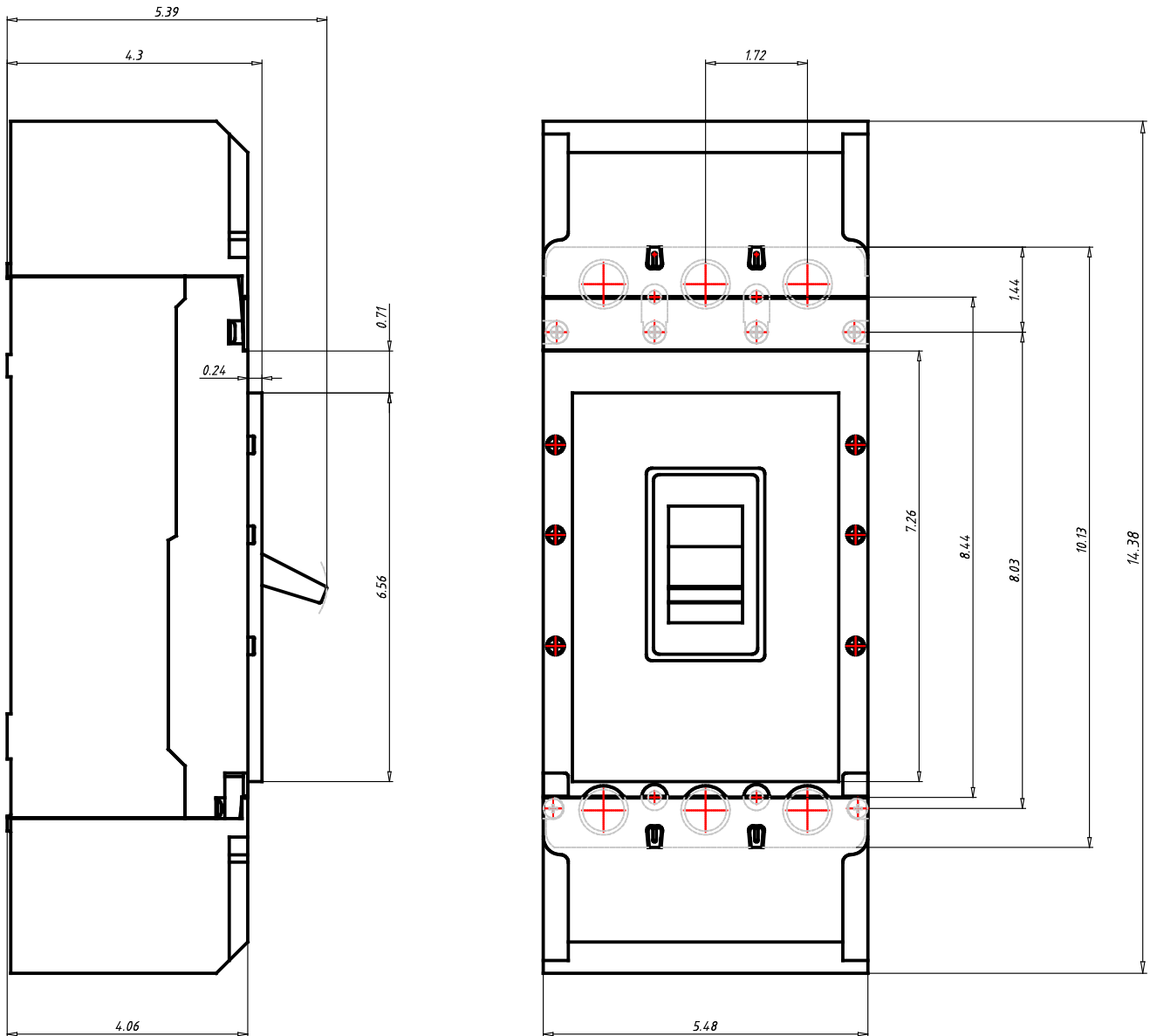
Eaton's Power Defense™ molded case circuit breakers, a globally rated platform designed to help keep your power system safe with latest protection technology. Engineered for the future: IoT and Industry 4.0 features such as built-in communications, advanced energy metering, and algorithms that signal breaker maintenance; zone selective interlock technology that clears faults quickly and locally; ArcFlash reduction options that help protect your people, and not to mention Eaton's best-in-class support and service.

Tech Data for Configured Product

Power Defense Catalog Number	PDG33G0600B2NJNNNNNN
Frame Size	Frame 3
Poles	3 Pole
Voltage	480V AC
Interruption or Breaking Capacity (Icu/Ics)	35kA
Continuous Current Rating (In)	600A
Trip Unit Type	PXR10
Trip Unit Options 1	LSI
Trip Unit Options 2	None
Indicating Accessories	None
Indicating Accessories Terminal	None
Tripping Accessories	None
Tripping Accessory Terminal	None
Tripping Accessory Voltage	None
Line Type Description	Option 1 - Standard Terminal
Line Conductor Options	(2) 2 - 500
Line Terminal Type	Aluminum
Load Type Description	Option 1 - Standard Terminal
Load Conductor Options	(2) 2 - 500
Load Terminal Type	Aluminum
Special Options - Type of Modification	None
Details	None
Additional Description	None

Molded Case Circuit Breakers
Power Defense™ UL Global Series
Part Number: PDG33G0600B2NJNNNNNN

Technical drawings



Molded Case Circuit Breakers
Power Defense™ UL Global Series
Part Number: PDG33G0600B2NJNNNNNN



Datasheet creation date: 02/12/2019

General Technical Data

Frame Rating (In)	600A
Reference Standard	UL489, CSA 22.2, IEC 60947-2 & GB
Number of poles	3
Neutral rating	-
Interruption Rating Designator	F / G / K / M / N / P
UL Interruption Rating to UL 489 (240Vac)	35 / 65 / 85 / 100 / 150 / 200kA
UL Interruption Rating to UL 489 (480Vac)	25 / 35 / 50 / 65(a) / 85 / 100kA
UL Interruption Rating to UL 489 (600Vac)	14 / 18 / 25 / 35 / 50 / 65kA
UL Interruption Rating to UL 489 (125/250Vdc)	
UL Current Limiting	N / N / N / N / Y / Y
Rated breaking capacity to IEC 60947-2 (220-240 Vac Icu)	35 / 55 / 85 / 100 / 150 / 200kA
Rated breaking capacity to IEC 60947-2 (220-240 Vac Ics)	35 / 55 / 85 / 100 / 100 / 150kA
Rated breaking capacity to IEC 60947-2 (380-415 Vac Icu)	25 / 36 / 50 / 70 / 70 / 100kA
Rated breaking capacity to IEC 60947-2 (380-415 Vac Ics)	25 / 36 / 50 / 53 / 70 / 70kA
Rated breaking capacity to IEC 60947-2 (440 Vac Icu)	25 / 30 / 35 / 50 / 70 / 100kA
Rated breaking capacity to IEC 60947-2 (440 Vac Ics)	20 / 22.5 / 35 / 40 / 50 / 50kA
Rated breaking capacity to IEC 60947-2 (525 Vac Icu)	18 / 20 / 25 / 30 / 35 / 40kA
Rated breaking capacity to IEC 60947-2 (525 Vac Ics)	5 / 7.5 / 10 / 15 / 25 / 25kA
Rated breaking capacity to IEC 60947-2 (690 Vac Icu)	- / 8 / 10 / 15 / 20 / 20kA
Rated breaking capacity to IEC 60947-2 (690 Vac Ics)	- / 4 / 5 / 7.5 / 10 / 10kA
Rated breaking capacity to IEC 60947-2 (125V DC Icu)	
Rated breaking capacity to IEC 60947-2 (250V DC 2P in series Ics)	10 / 10 / 10 / 22 / 22 / 22kA
Frequency	50/60Hz
Trip Unit Type	PXR10
Continuous Current Range	250 - 600A
100% UL489 Rated	Yes
Instantaneous/Short Circuit Range	2 - 10 In
Magnetic/Instantaneous Override	7200A
Dimensions H x W x D (inches)	10.125 x 5.47 x 4.297
Pole to pole distance inches	1,719
Approx Weight lbs	16
RoHS Compliance	Yes
UL File Number	E7819
Ambient Temp Calibration	
Derating at 50C	
Derating at 60C	
Derating at 70C	

1. 480Vac corresponds to 277Vac for 1P
2. 600Vac corresponds to 347Vac for 1P

GUEST® Genset Chargers



Guest chargers are proven performers in genset applications. For specific application information, or if you are developing a new product, be sure to consult with the Guest applications engineering team to ensure the correct charger is specified.

Genset Chargers

MODEL	TOTAL AMPS	OUT-PUTS	AMPS PER OUTPUT	BATTERY SYSTEM	INPUT VOLTAGE	AC	DC	DIMENSIONS	WT. (LBS)	AGENCY LISTING
2602A-12	2	1	2	12V	100 - 130 50/60Hz	6' w/ Connect- Charge plug	4' w/ ring terminals	2.9" x 5.1" x 1.5"	2	UL
2602A-12-B (bulk)										
2605A-1-24RT-01 (bulk pack only) (1)	5	1	5	24V	100 - 130 50/60Hz	6' SJT 18-3 w/ Connect- Charge plug	6' SJT 18-3 w/ ring terminals	7.4" x 6.3" x 2.4"	4.5	UL
2608A-B-01 (bulk pack only) (1)	6	1	6	12V	100 - 130 50/60Hz	6' cable w/ molded plug rated -40 to 105C	4' w/ ring terminals rated -40 to 105C	3.5" x 6.4" x 2.3"	4	UL
2610A	10	2	5/5	12V+12V	100 - 130 50/60Hz	Studs	Studs	5.5" x 7.8" x 2.4"	5.6	-
2610A-B (bulk)										UL (bulk only)

(1) 2-stage charging

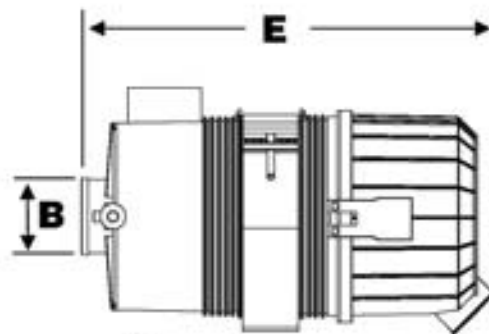
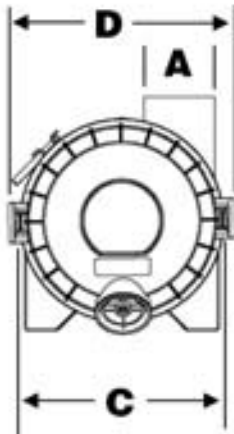


Individual agency listings as shown in product chart.

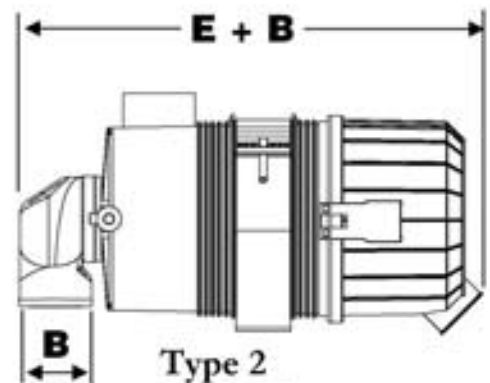
Plastic Magna Seal Air Cleaners



- Internal or External Evacuator Valve
- High Strength Polymer
- Working Temp -40c to +80c (-40F to 176F)
- Design Compatibility with other Manufacturers
- Industry Standard elements
- Can be Mounted Vertical or Horizontal



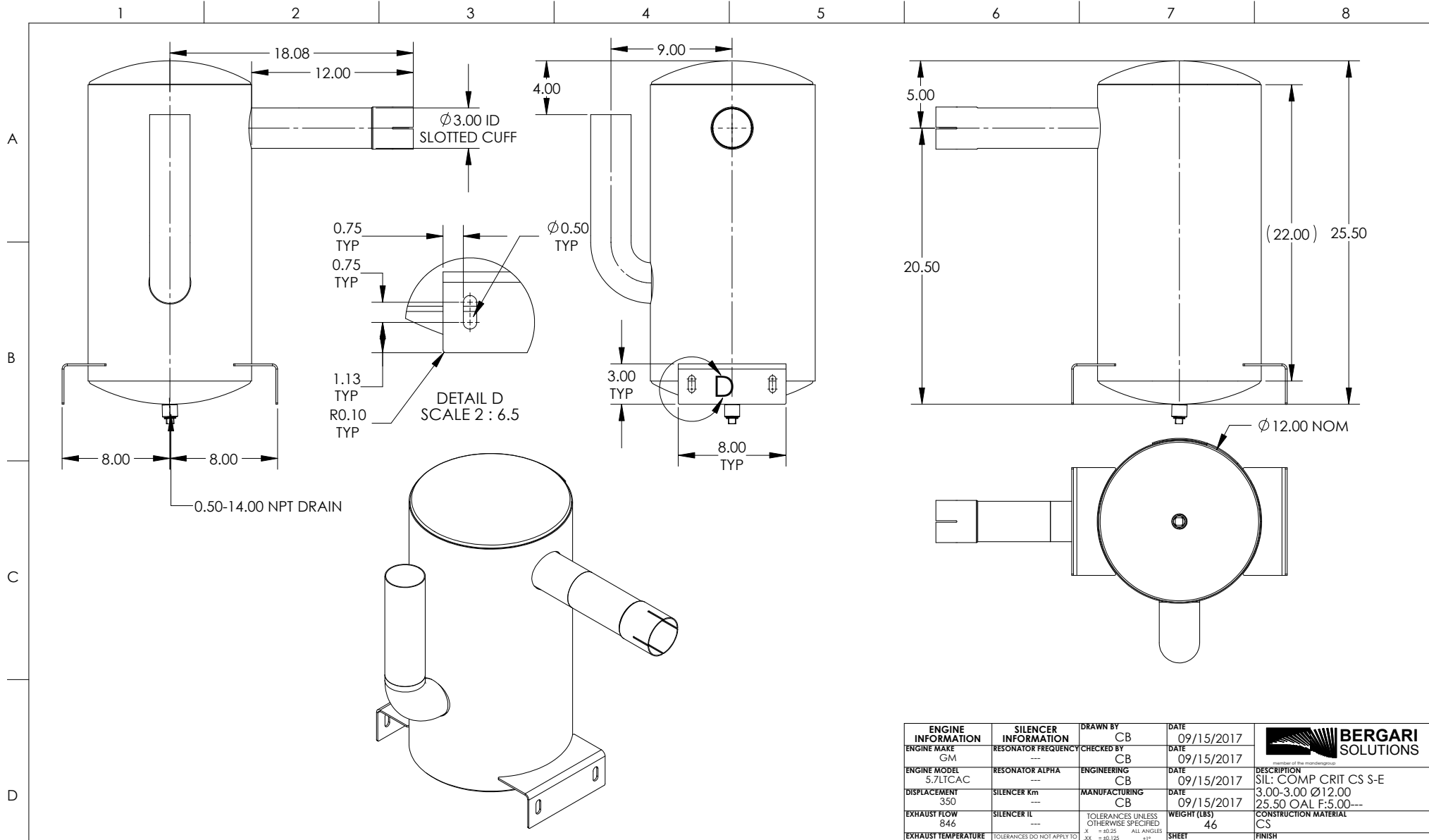
Type 1
Straight Outlet



Type 2
90° Outlet

Air Cleaner Assembly

Model Number	Part Number	Type	Initial Restriction						A		B		C		D		E	
			6" H2O		8" H2O		10" H2O		OD Inlet		OD Outlet							
			CFM	M3m	CFM	M3m	CFM	M3m	inch	mm	inch	mm	inch	mm	inch	mm	inch	mm
2s-FW-E1	68110	1	75	2.1	90	2.5	105	3.0	2.00	51	1.75	45	4.8	122	6.14	156	8.98	228
2s-FW-E2	68111	1	65	1.8	75	2.1	85	2.4	2.00	51	1.75	45	4.80	122	6.14	156	8.98	228
2s-FW-E1-90	68103	2	63	1.7	73	2.0	82	2.3	2.00	51	1.75	45	4.80	122	6.14	156	10.43	265
2s-FW-E2-90	68107	2	53	1.5	63	1.8	71	2.0	2.00	51	1.75	45	4.80	122	6.14	156	10.43	265
2-FW-E1	68120	1	100	2.8	115	3.3	130	3.7	2.00	51	2.00	51	5.75	146	7.09	180	13.39	340
2-FW-E2	68130	1	90	2.5	105	3.0	115	3.3	2.00	51	2.00	51	5.75	146	7.09	180	13.39	340
2-FW-E1-90	68116	2	88	2.4	102	2.9	113	3.2	2.00	51	2.00	51	5.75	146	7.09	180	14.96	380
2-FW-E2-90	68127	2	77	2.2	92	2.6	103	2.9	2.00	51	2.00	51	5.75	146	7.09	180	14.96	380
2.5-FW-E1	68132	1	150	4.2	175	5.0	195	5.5	2.50	63.5	2.50	63.5	6.89	175	8.15	207	14.13	359
2.5-FW-E2	68133	1	145	4.1	165	4.7	185	5.2	2.50	63.5	2.50	63.5	6.89	175	8.15	207	14.13	359
2.5-FW-E1-90	68131	2	134	3.8	156	4.4	175	5.0	2.50	63.5	2.50	63.5	6.89	175	8.15	207	16.22	412
2.5-FW-E2-90	68134	2	127	3.6	148	4.2	168	4.7	2.50	63.5	2.50	63.5	6.89	175	8.15	207	16.22	412
3-FW-E1	68140	1	160	4.5	190	5.4	210	5.9	3.00	76	3.00	76	7.24	184	8.58	218	14.57	370
3-FW-E2	68150	1	150	4.2	170	4.8	190	5.4	3.00	76	3.00	76	7.24	184	8.58	218	14.57	370
3-FW-E1-90	68140-2	2	154	4.4	181	5.1	196	5.6	3.00	76	3.00	76	7.24	184	8.58	218	17.80	452
3-FW-E2-90	68150-2	2	138	4.0	162	4.6	182	5.2	3.00	76	3.00	76	7.24	184	8.58	218	17.80	452
3.75-FW-E1	68160	1	250	7.1	290	5.4	325	9.2	3.75	95	3.50	89	8.35	212	9.72	247	15.63	397
3.75-FW-E2	68170	1	225	6.4	260	7.4	280	7.9	3.75	95	3.50	89	8.35	212	9.72	247	15.63	397
3.75-FW-E1-90	68157	2	212	6.0	250	7.1	277	7.8	3.75	95	3.50	89	8.35	212	9.72	247	18.5	470
3.75-FW-E2-90	68167	2	188	5.3	220	6.2	250	7.1	3.75	95	3.50	89	8.35	212	9.72	247	18.5	470
4.5-FW-E1	68175	1	375	10.6	425	12.0	475	13.5	4.50	114	4.00	102	10.60	268	11.9	302	19.13	486
4.5-FW-E2	68175-1	1	325	9.2	375	10.6	425	12.0	4.50	114	4.00	102	10.60	268	11.9	302	19.13	486
6-FW-E1	68178	1	600	17.0	685	19.4	770	21.8	6.00	152	5.00	127	12.20	309	13.54	344	22.00	560
6-FW-E2	68179	1	500	14.2	565	16.0	630	17.8	6.00	152	5.00	127	12.20	309	13.54	344	22.00	560
7-FW-E1	68182	1	800	22.7	910	25.8	1060	30.0	7.00	178	6.00	152	15.50	394	16.80	427	21.50	545
7-FW-E2	68185	1	710	20.1	830	23.5	960	27.2	7.00	178	6.00	152	15.50	394	16.80	427	21.50	545



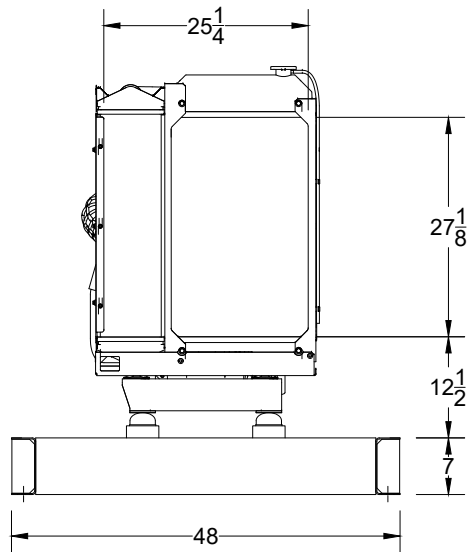
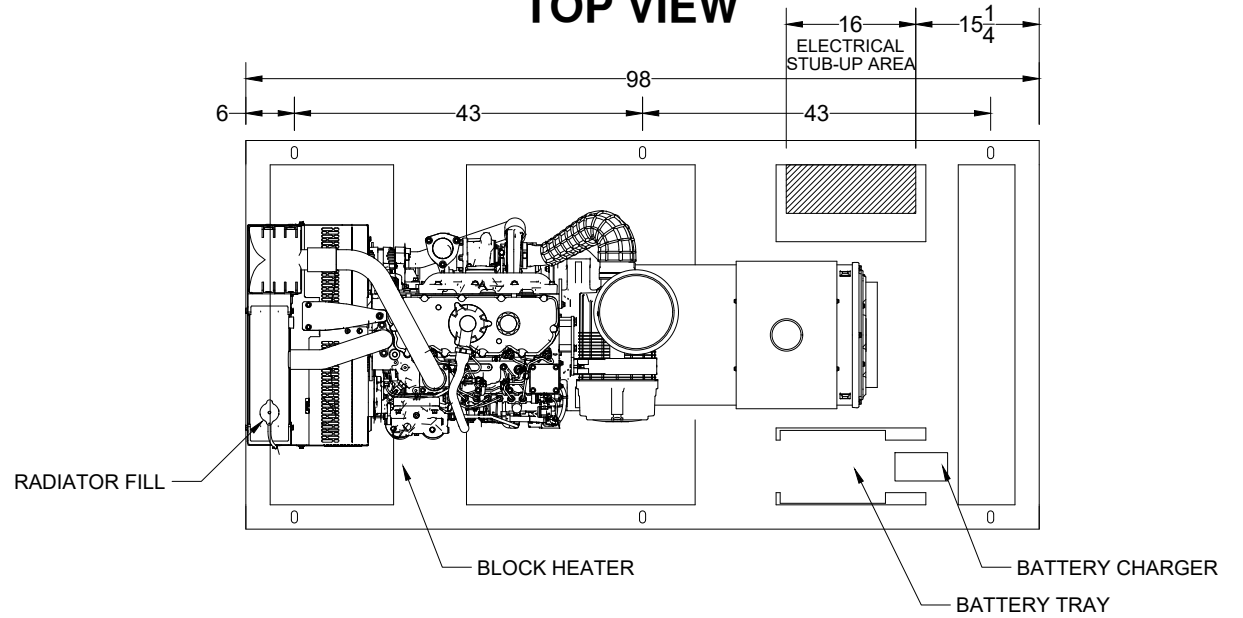
ENGINE INFORMATION	SILENCER INFORMATION	DRAWN BY	DATE	
ENGINE MAKE GM	RESONATOR FREQUENCY ---	CHECKED BY CB	09/15/2017	
ENGINE MODEL 5.7LTCAC	RESONATOR ALPHA ---	ENGINEERING CB	09/15/2017	DESCRIPTION SIL: COMP CRIT CS S-E 3.00-3.00 Ø12.00 25.50 OAL F:5.00---
DISPLACEMENT 350	SILENCER Km ---	MANUFACTURING CB	09/15/2017	
EXHAUST FLOW 846	SILENCER IL ---	TOLERANCES UNLESS OTHERWISE SPECIFIED X = ±0.25 ALL ANGLES XX = ±0.125 XXX = ±0.0625 XXXX = ±0.03125	WEIGHT (LBS) 46	CONSTRUCTION MATERIAL CS FINISH HIGH TEMP BLACK PAINT
EXHAUST TEMPERATURE 1250	TOLERANCES DO NOT APPLY TO GAGE THICKNESS OR COMMERCIAL FEATURES	SHEET 3 OF 3		
MAX BACK PRESSURE 40.8	THIRD ANGLE PROJECTION	This drawing and the information contained is confidential and the property of Bergari Solutions, LLC. None of this information is to be copied or shared in any form without the express permission from Bergari Solutions, LLC.		PART NUMBER 500-008651
RAW SOUND PRESSURE ---		SCALE (DO NOT SCALE) 1:6.5	SHEET SIZE B	REV 01

REV.	BY	DATE	DESCRIPTION	ECO
01	CB	09/15/2017	RELEASED FOR CUSTOMER APPROVAL	---

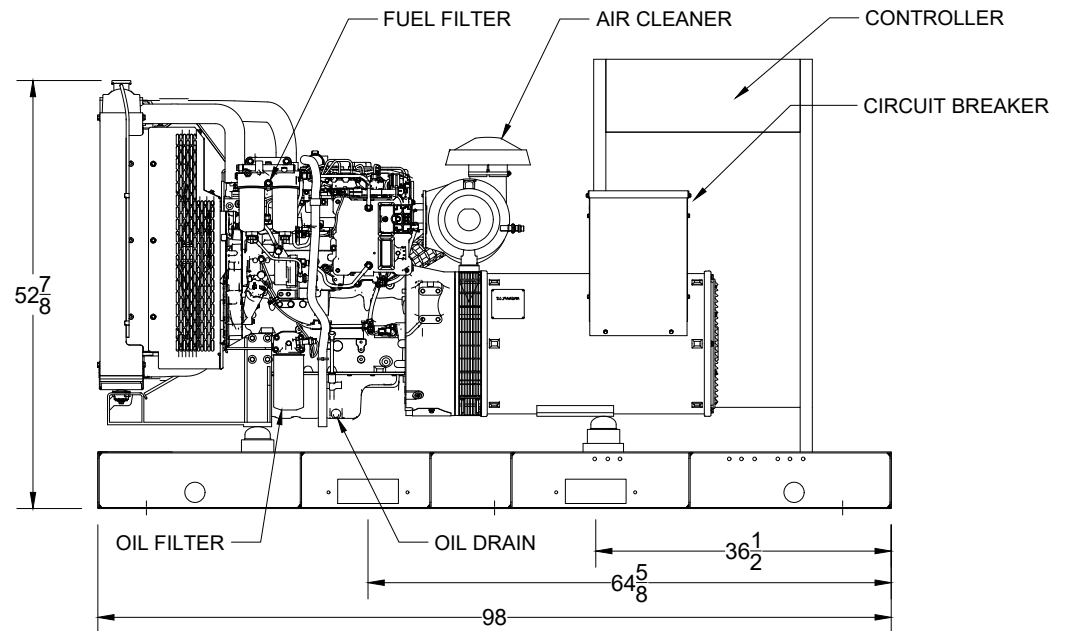
CUSTOMER ---	CUSTOMER P/N ---
------------------------	----------------------------

SPD-1000 OPEN DIMENSIONAL OVERVIEW

TOP VIEW



RADIATOR VIEW

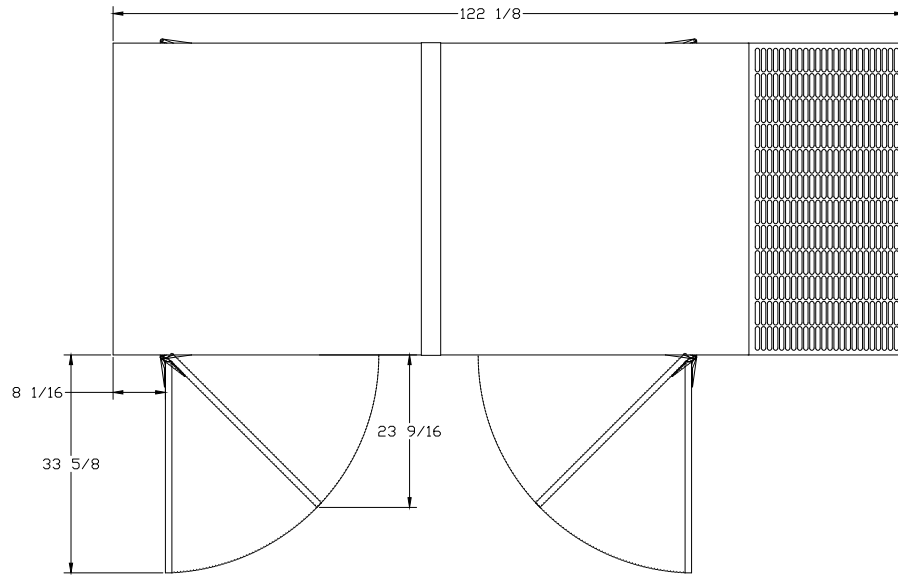


SIDE VIEW

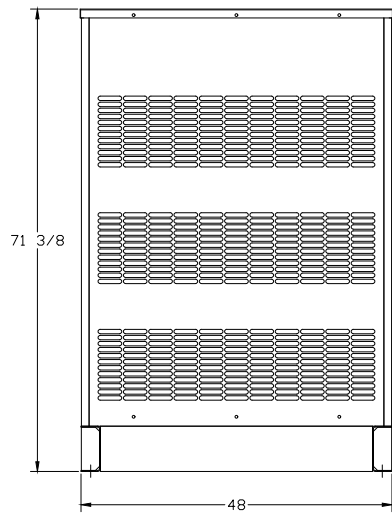
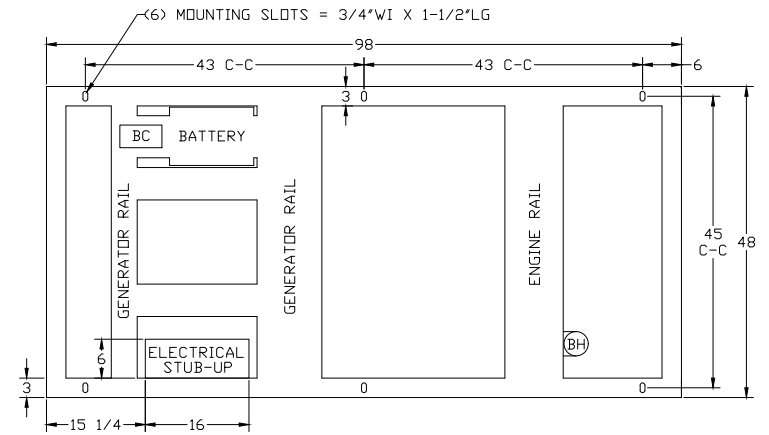
OUTLINE DIMENSIONS FOR SPD-1000 LEVEL 2 ENCLOSURE (HINGED DOORS)

TOP VIEW

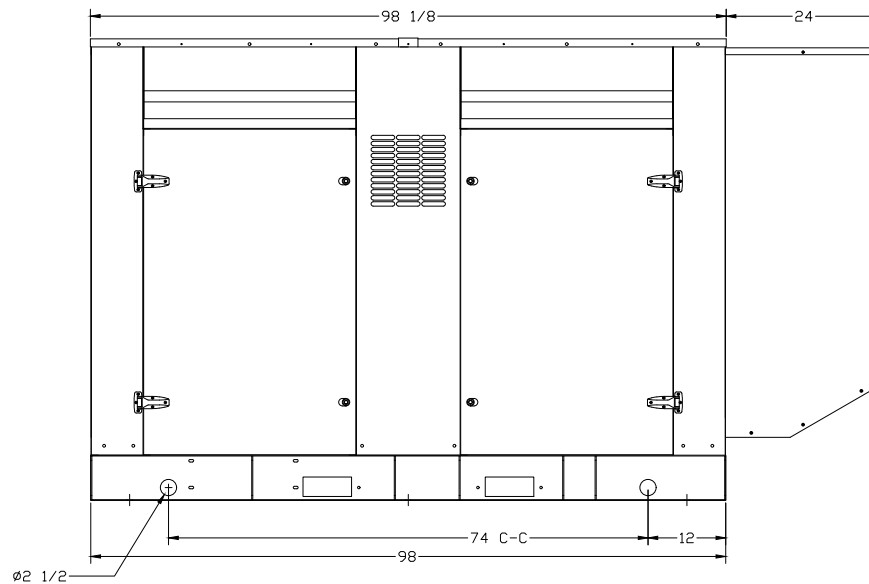
<GEN-SET HAS (4) DOORS, (2) SHOWN OPEN ARE TYPICAL FOR BOTH SIDES>



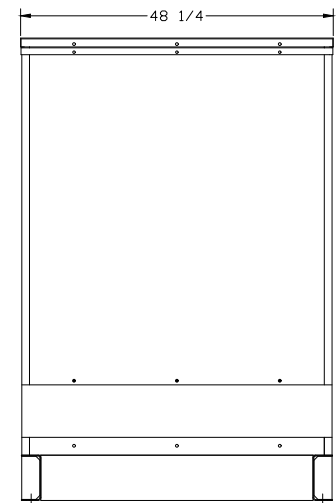
BASE VIEW



GENERATOR END VIEW



SIDE VIEW



RADIATOR END VIEW