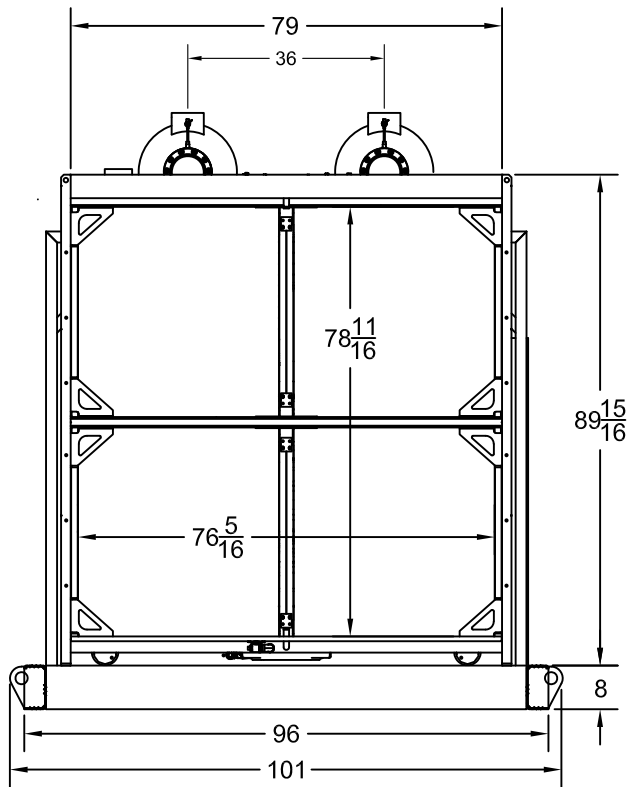
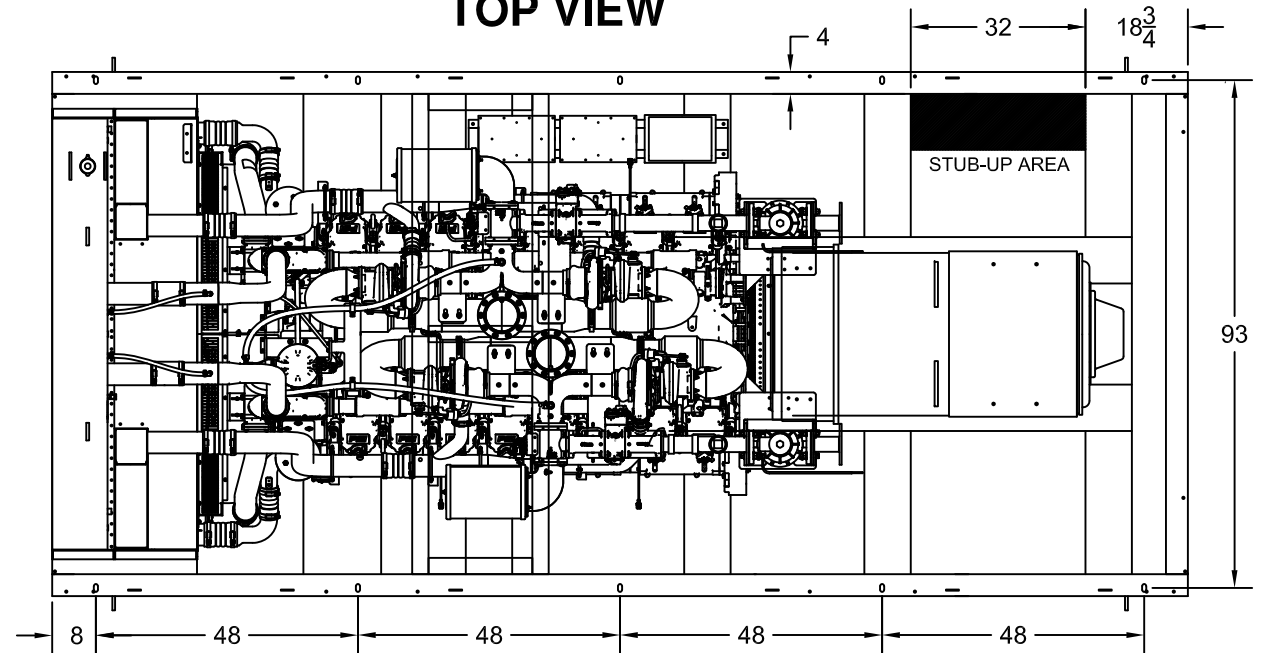
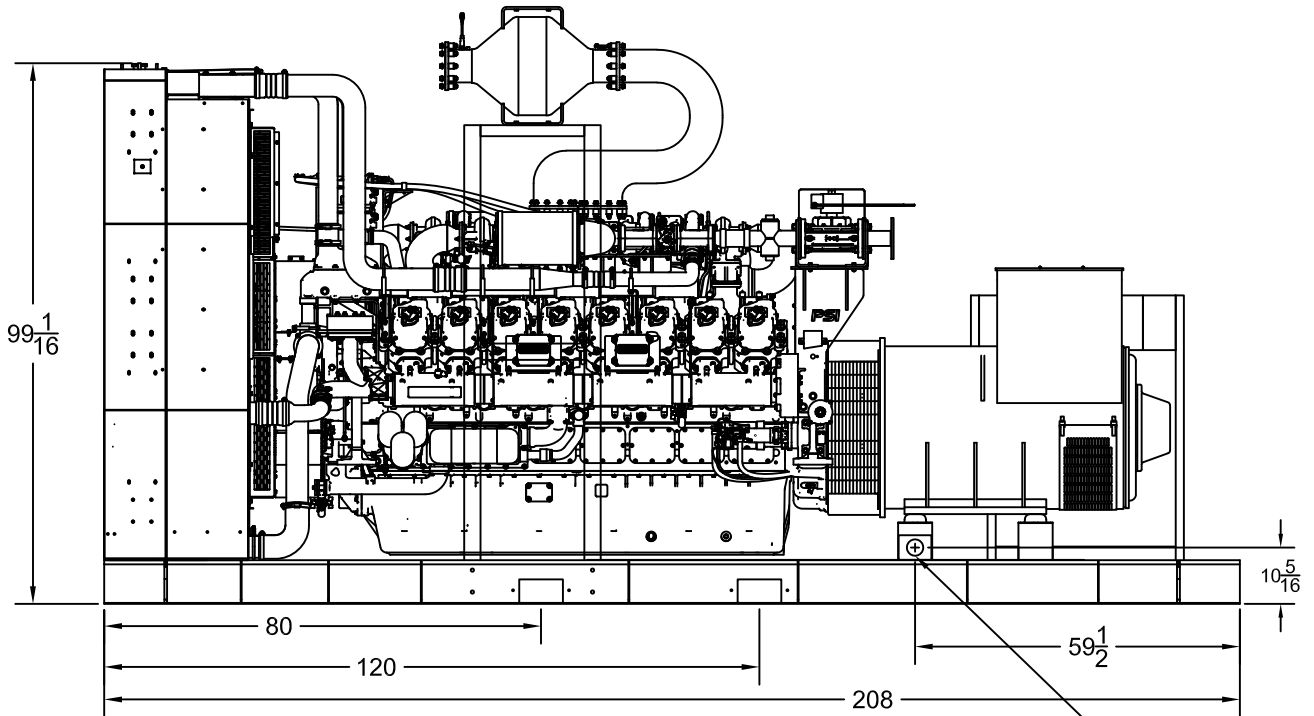


# SP-1M OPEN DIMENSIONAL OVERVIEW

## TOP VIEW



## RADIATOR VIEW



## SIDE VIEW

3" NPTF COUPLING  
FOR DRY FUEL CONNECTION  
LOCATED ON BOTH SIDES