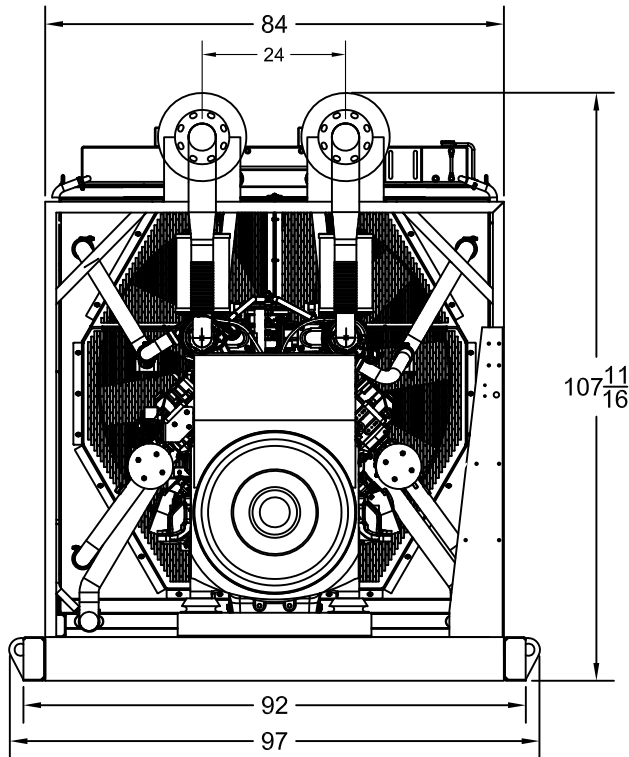
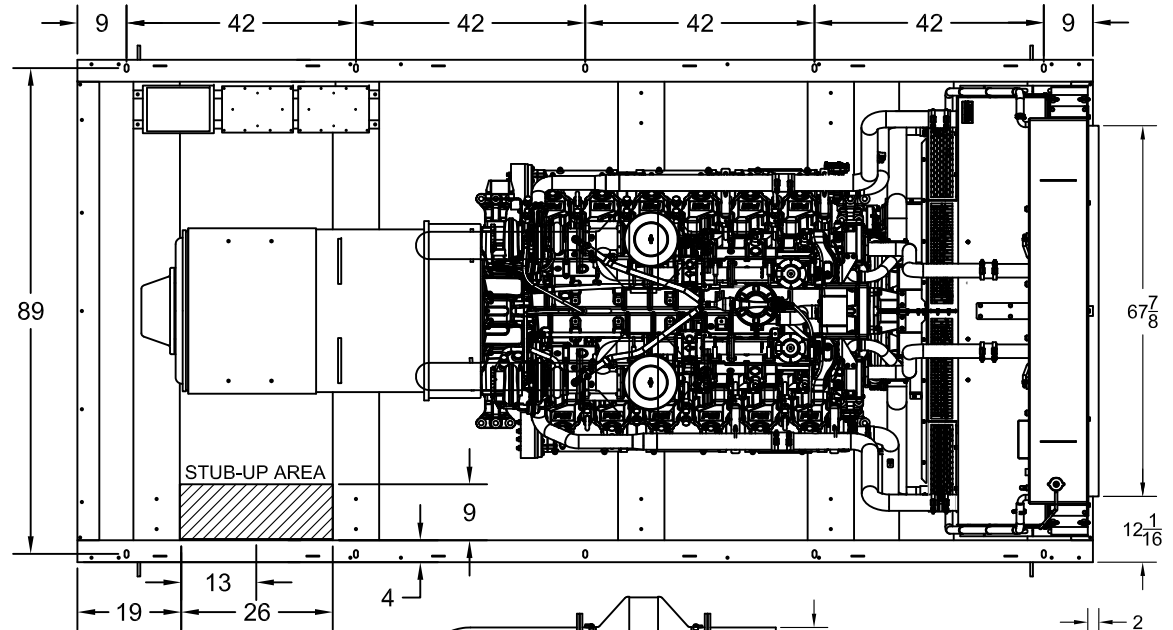
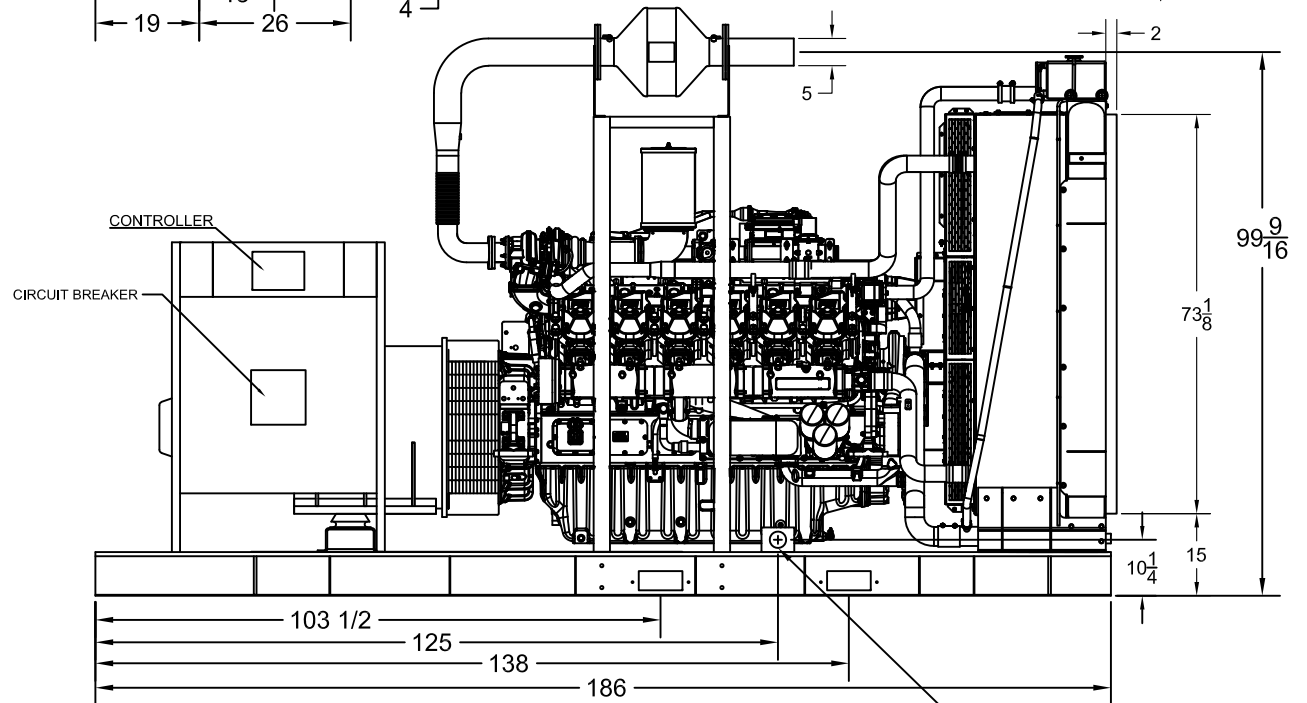


SP-6500 OPEN DIMENSIONAL OVERVIEW W/ EXHAUST

TOP VIEW



GEN END VIEW



SIDE VIEW

3" NPTF COUPLING
FOR DRY FUEL CONNECTION
LOCATED ON BOTH SIDES