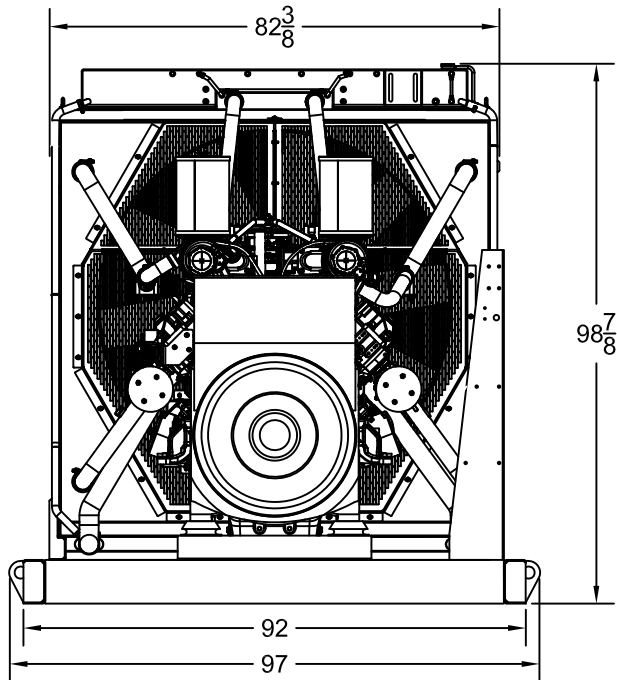
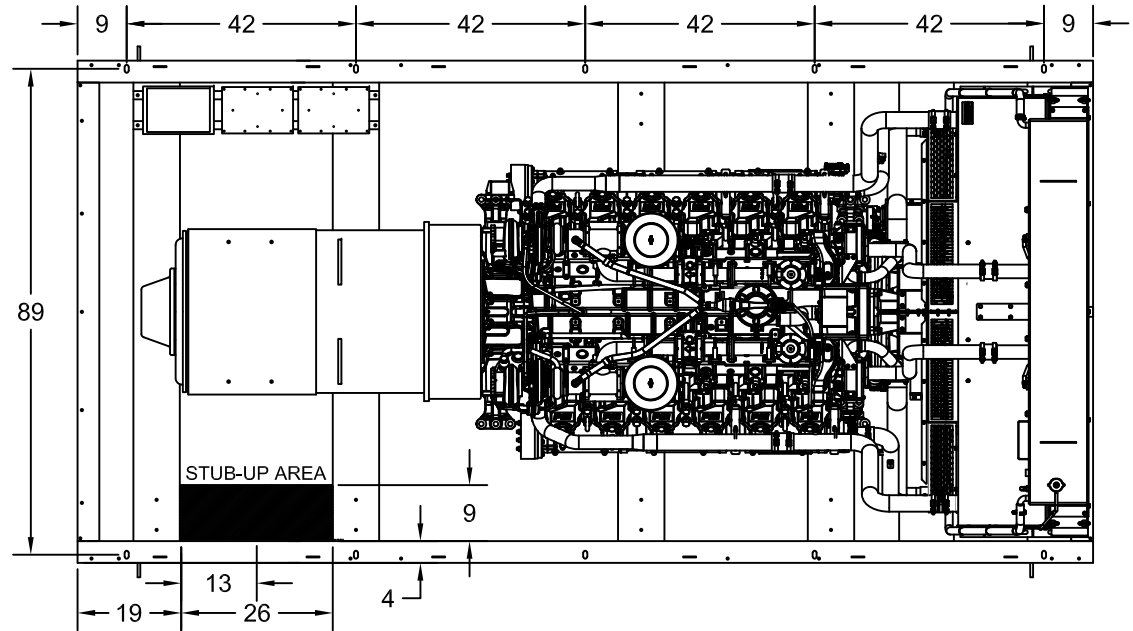
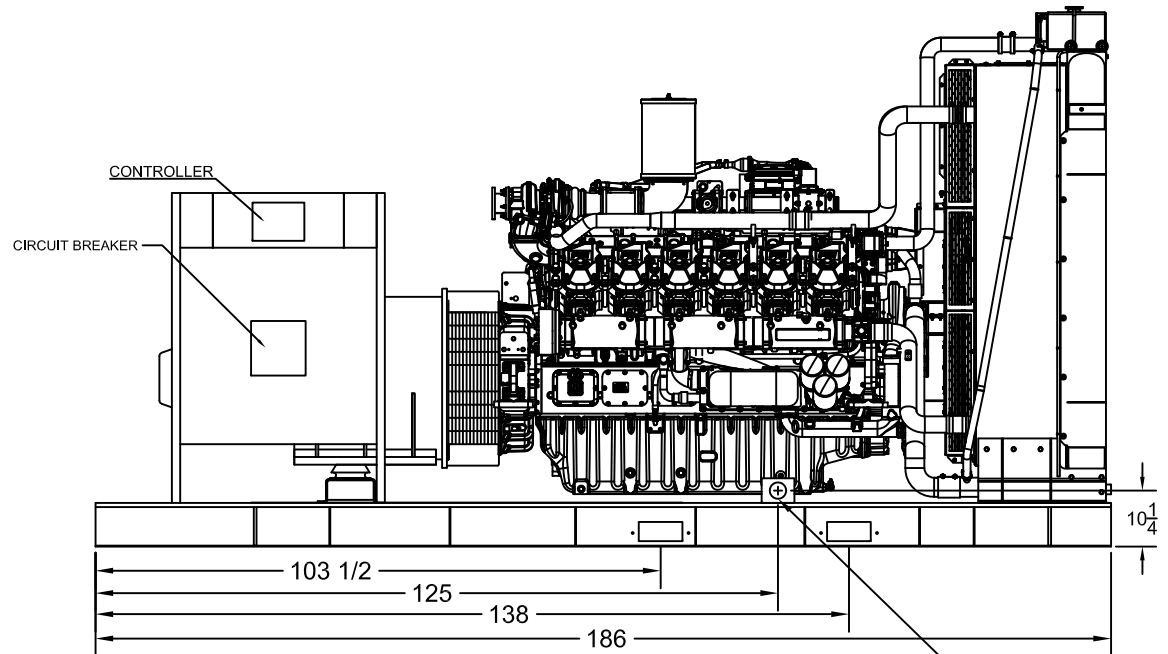


# SP-8000 OPEN DIMENSIONAL OVERVIEW

## TOP VIEW



## GEN END VIEW



## SIDE VIEW

3" NPTF COUPLING  
FOR DRY FUEL CONNECTION  
LOCATED ON BOTH SIDES