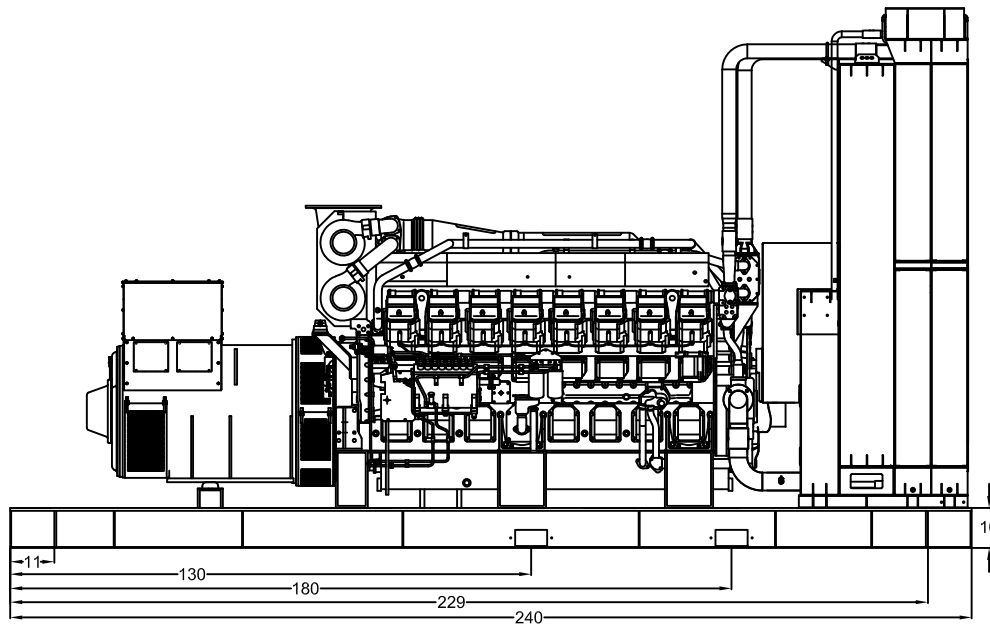
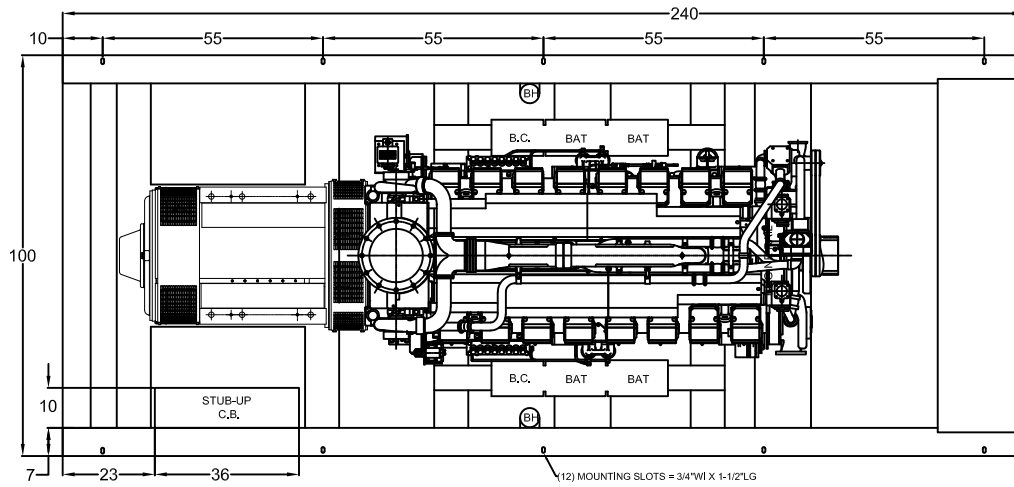
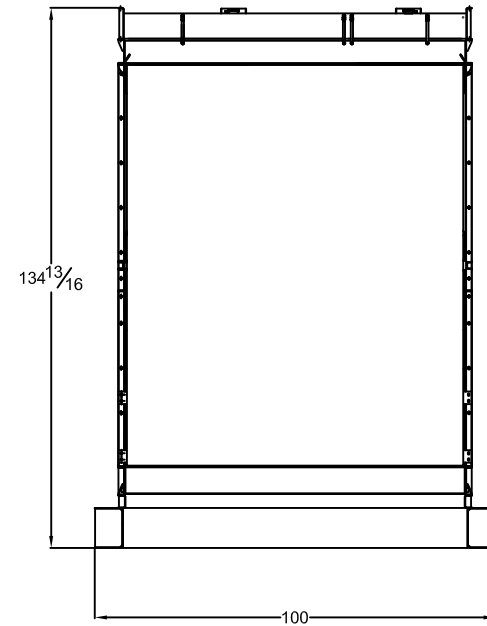


SPMI-1.5M OPEN DIMENSIONAL OVERVIEW

FRAME VIEW



SIDE VIEW



RADIATOR END VIEW