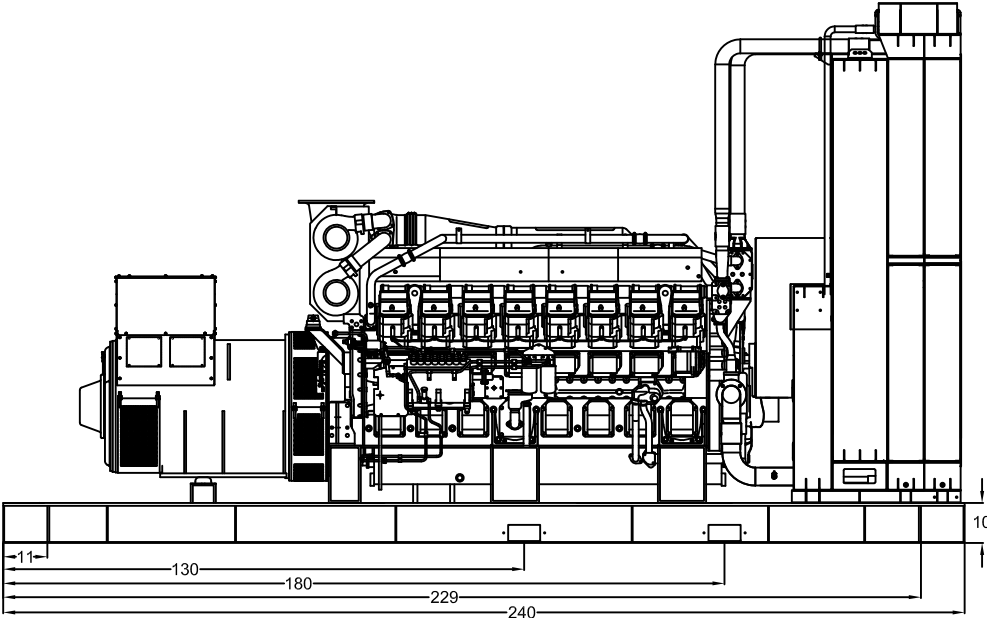
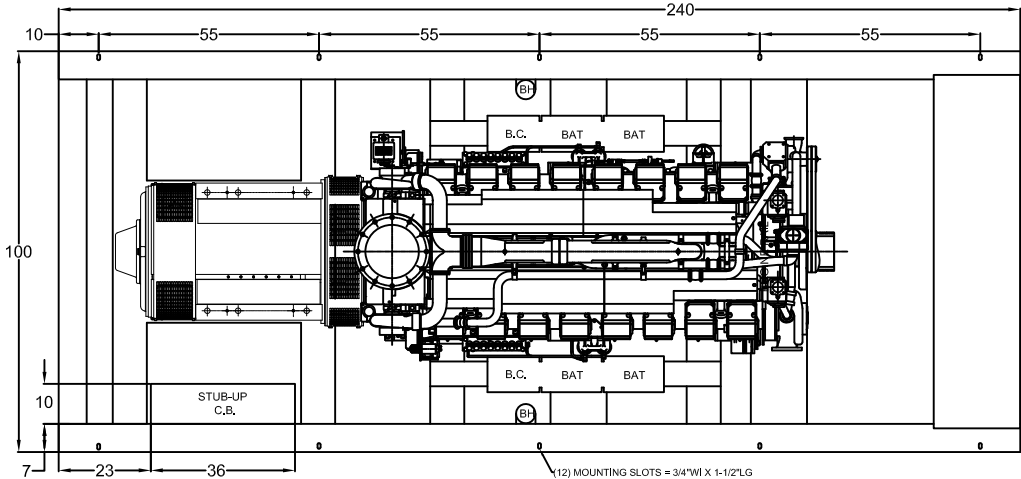
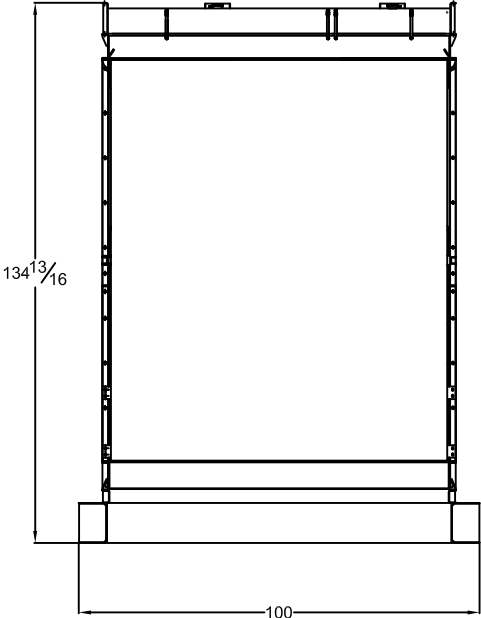


SPMI-2M OPEN DIMENSIONAL OVERVIEW

FRAME VIEW



SIDE VIEW



RADIATOR END VIEW